

Parts Catalogue

Model : RK55H / RK55HC

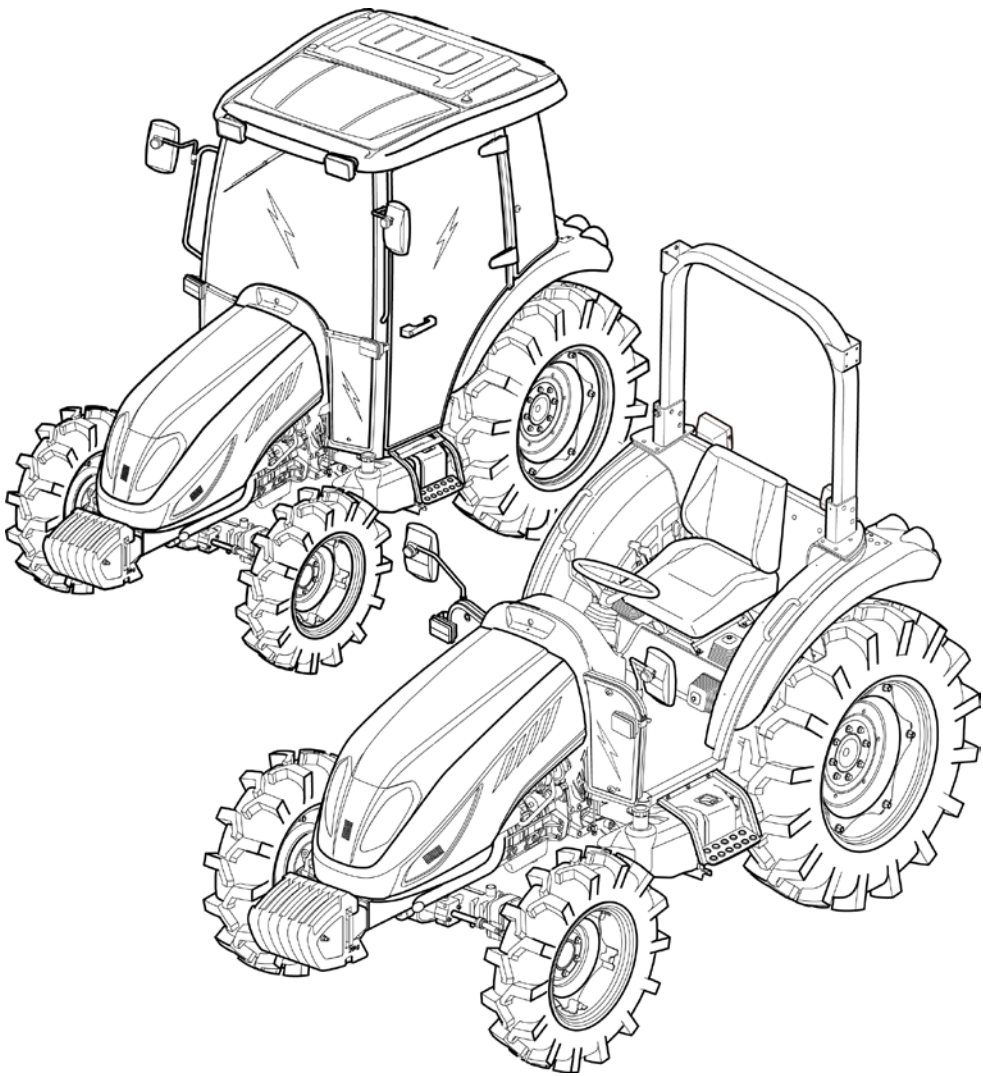


FIG 101

CYLINDER BLOCK

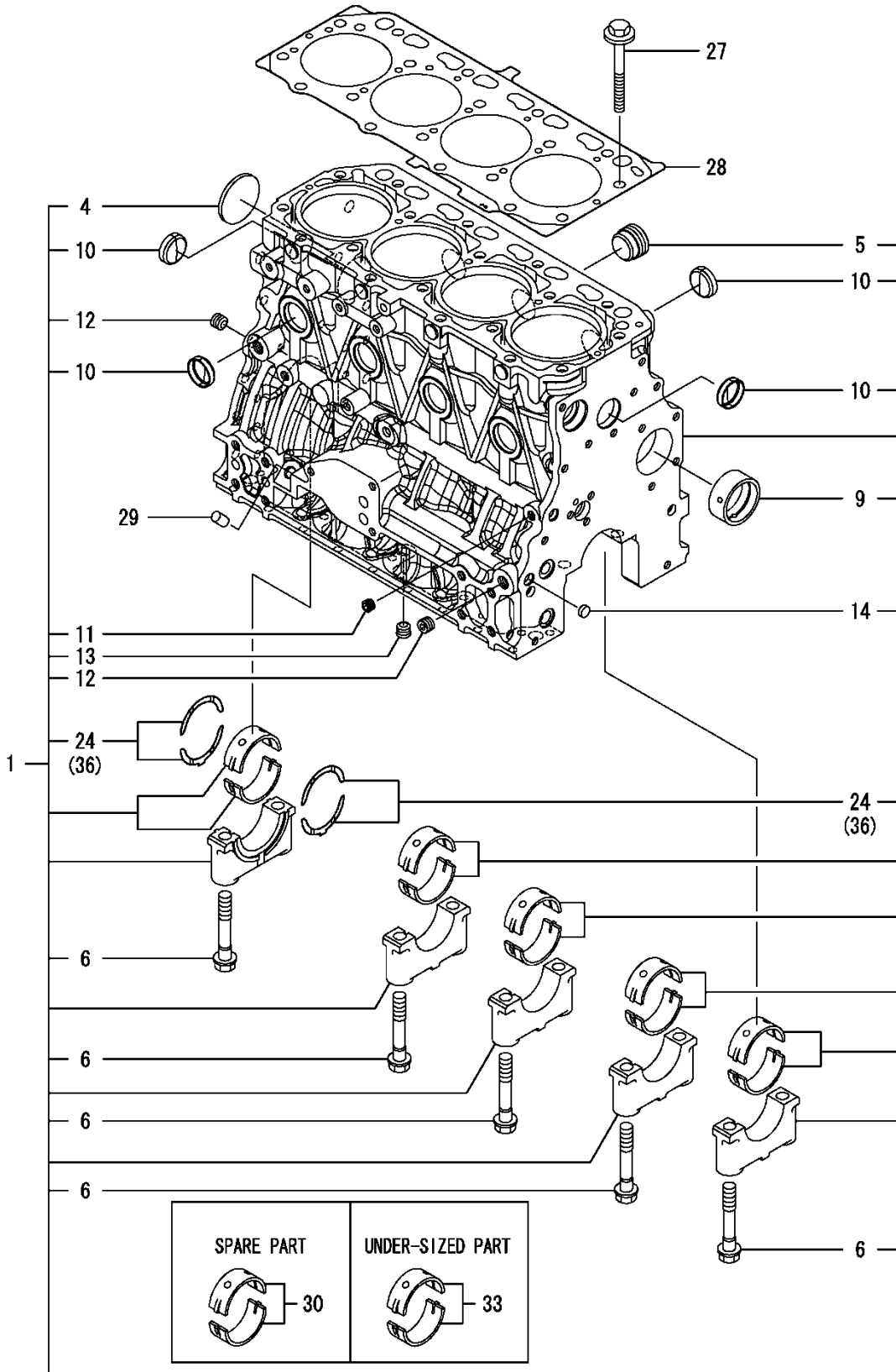
P1

YEAR

2017



RK55H / RK55HC



NOTE

FIG 102

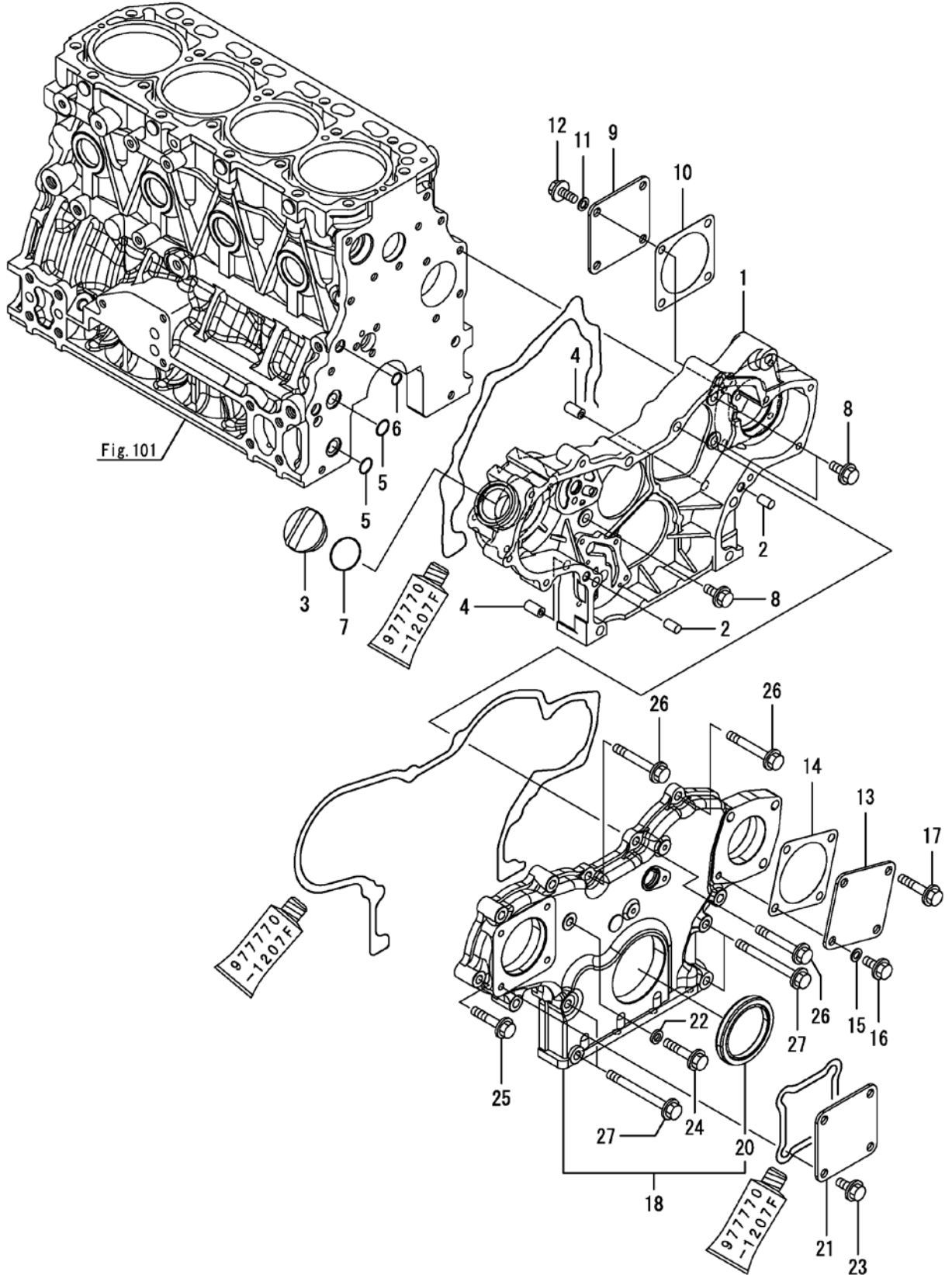
GEAR HOUSING

RK55H / RK55HC

P1

YEAR

2017



NOTE

FIG 103

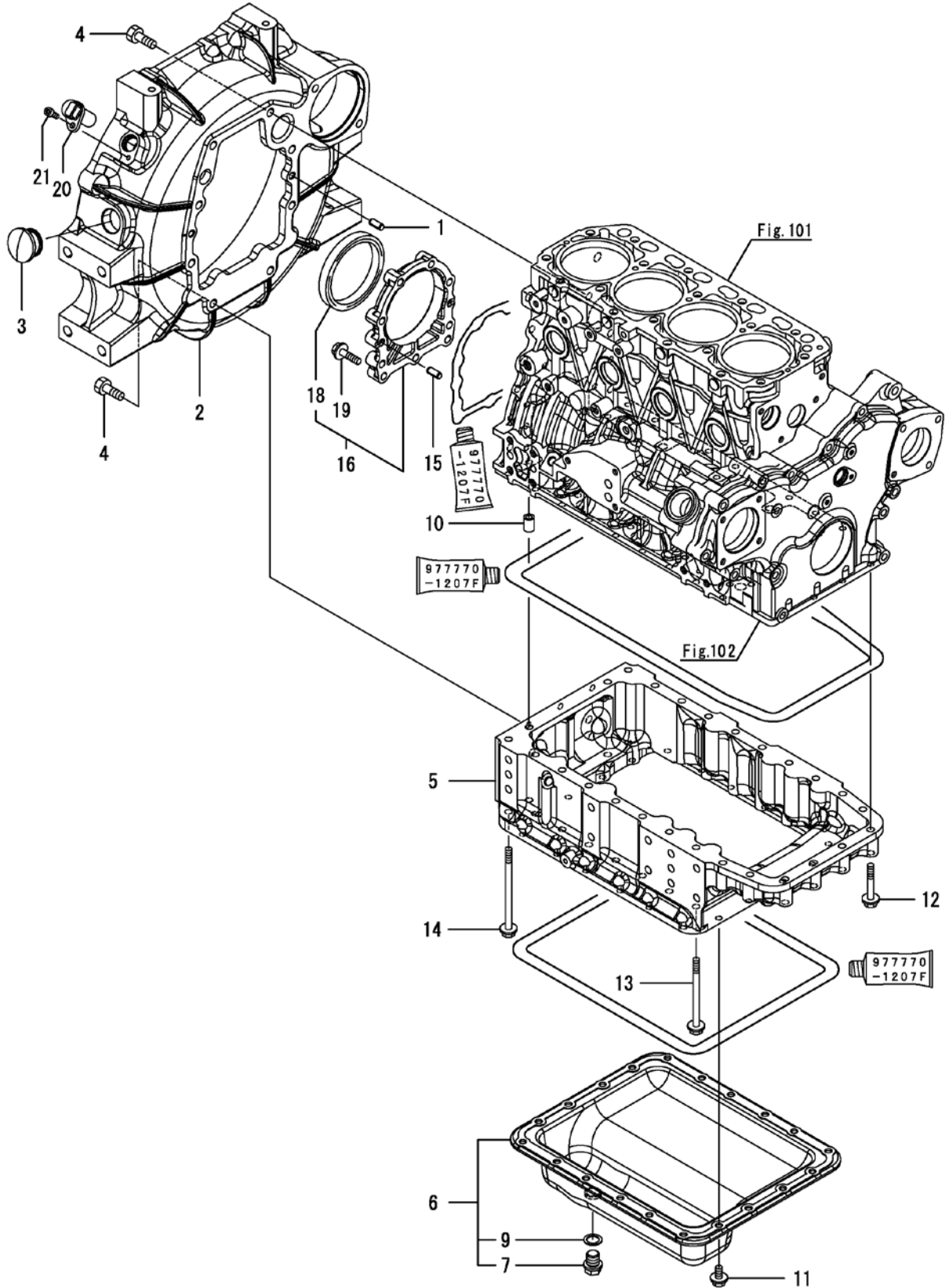
FLYWHEEL HOUSING & OIL SUMP

RK55H / RK55HC

P1

YEAR

2017



NOTE

FIG 104

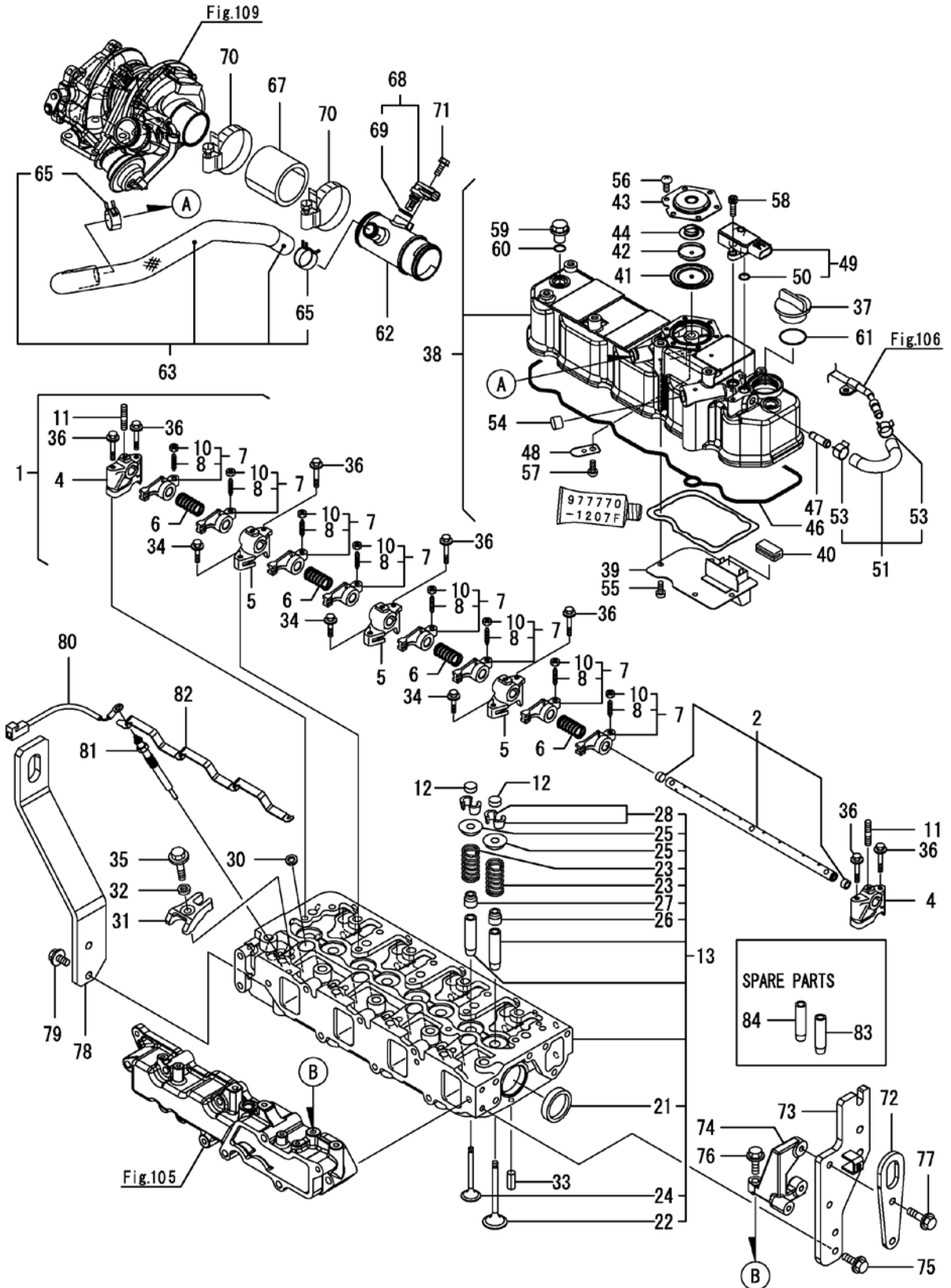
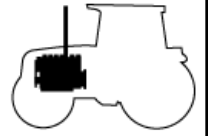
CYLINDER HEAD & BONNET

RK55H / RK55HC

P1

YEAR

2017



NOTE


FIG 104		CYLINDER HEAD & BONNET				P1	YEAR	
RK55H / RK55HC							2017	
KEY NO.	PART NO.	DESCRIPTION	SPEC.	QTY.		REPAIR	ENG. SERIAL NO.	REMARKS
				RK55H	RK55HC			
104	001	129601-11241	SHAFT ASSY, ROCKER		1	1		
104	002	129601-11251	SHAFT, ROCKER ARM		1	1		
104	004	119802-11260	SUPPORT, ROCKER ARM		2	2		
104	005	119802-11270	SUPPORT, ROCKER ARM		3	3		
104	006	129150-11280	SPRING		4	4		
104	007	129004-11650	ARM, ROCKER		8	8		
104	008	129150-11230	SCREW, VALVE ADJUST		8	8		
104	010	129150-11750	NUT, M8		8	8		
104	011	26226-080182	STUD, M8X18		3	3		
104	012	129150-11370	CAP, VALVE		8	8		
104	013	129C01-11700	HEAD ASSY, CYLINDER		1	1		
104	021	27241-400000	PLUG, 40		2	2		
104	022	129005-11100	VALVE, INTAKE		4	4		
104	023	129795-11120	SPRING, VALVE		8	8		
104	024	129100-11130	VALVE, EXHAUST		4	4		
104	025	129795-11180	RETAINER, SPRING		8	8		
104	026	124460-11340	SEAL, VALVE STEM		4	4		
104	027	129A00-11340	SEAL, VALVE STEM		4	4		
104	028	27310-080001	COTTER, 8		8	8		
104	030	129978-11871	GASKET, INJECTOR		4	4		
104	031	129A00-11900	RETAINER, INJECTOR		4	4		
104	032	120270-54410	WASHER, INJECTOR		4	4		
104	033	22351-060012	PIN, SPRING 6.0X12		2	2		
104	034	26106-080252	BOLT, M8X25 PLATED		3	3		
104	035	26106-080352	BOLT, M8X35 PLATED		4	4		
104	036	26106-080502	BOLT, M8X50 PLATED		7	7		
104	037	124160-01751	COVER, FILLER		1	1		
104	038	129C01-11351	BONNET ASSY		1	1		
104	039	129004-03010	PLATE		1	1		
104	040	129150-03070	BAFFLE, BREATHER		1	1		
104	041	123907-03100	DIAPHRAGM		1	1		
104	042	123907-03110	PLATE		1	1		
104	043	123907-03120	PLATE, BREATHER		1	1		
104	044	123907-03140	SPRING, DIAPHRAGM		1	1		
104	046	129C00-11310	GASKET, COVER		1	1		
104	047	129A00-11330	JOINT		1	1		
104	048	129009-11340	SPRING		1	1		
104	049	129A00-12703	SENSOR,PRESSURE		1	1		
104	050	129A00-12780	O-RING,PRES SENSOR		2	2		
104	051	129A00-13360	HOSE ASSY, PRES EXH		1	1		
104	053	129A00-13380	CLIP, HOSE 14		2	2		
104	054	119640-61400	PLUG		1	1		
104	055	22857-500100	SCREW, 5X10		4	4		
104	056	22857-500100	SCREW, 5X10		6	6		
104	057	22857-500100	SCREW, 5X10		1	1		
104	058	26450-060162	BOLT, M6X16		2	2		
			- NEXT -					
NOTE	(1)Spare parts.							

FIG 104

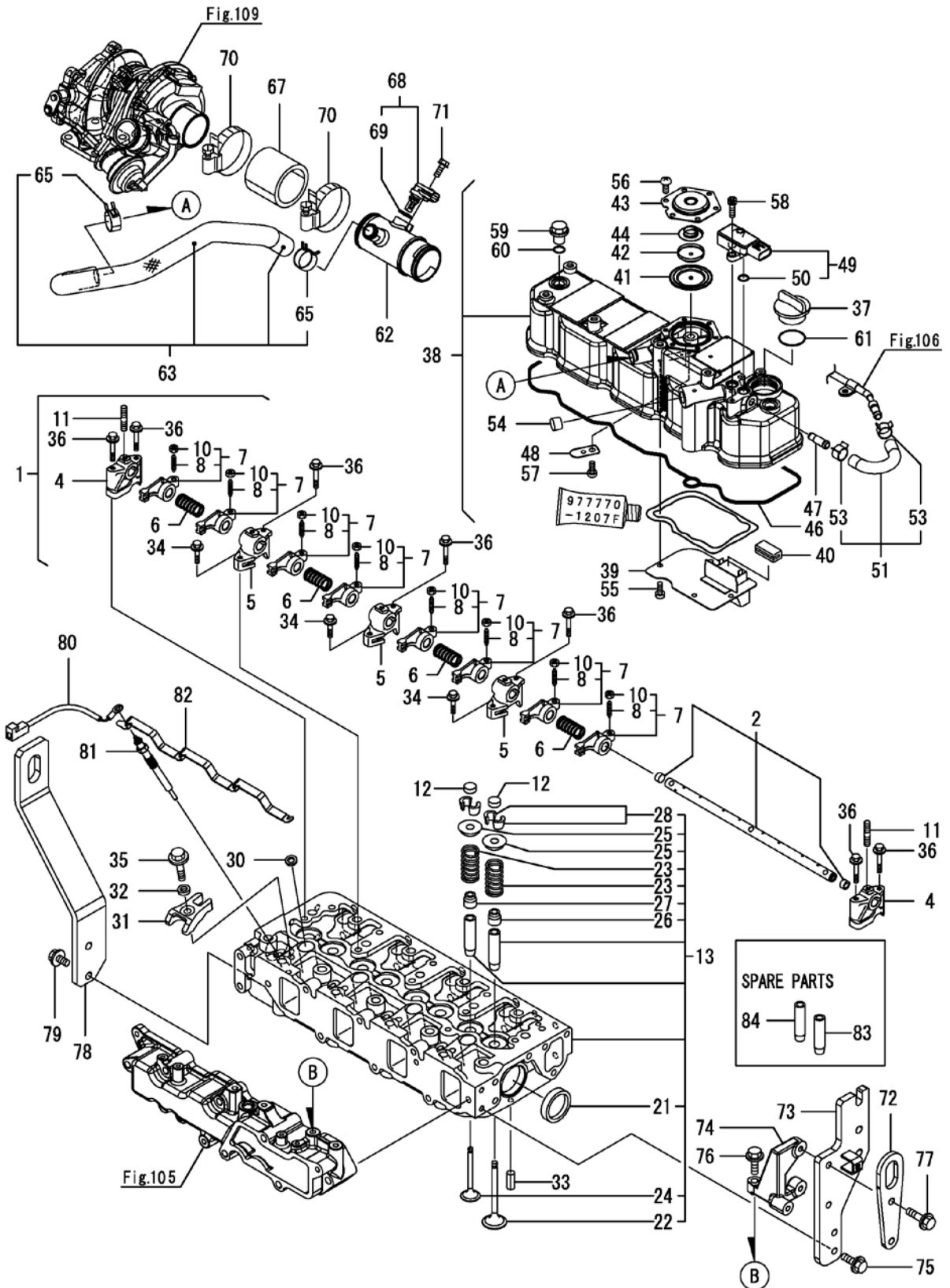
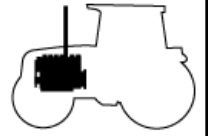
CYLINDER HEAD & BONNET

RK55H / RK55HC

P2

YEAR

2017



NOTE

FIG 105

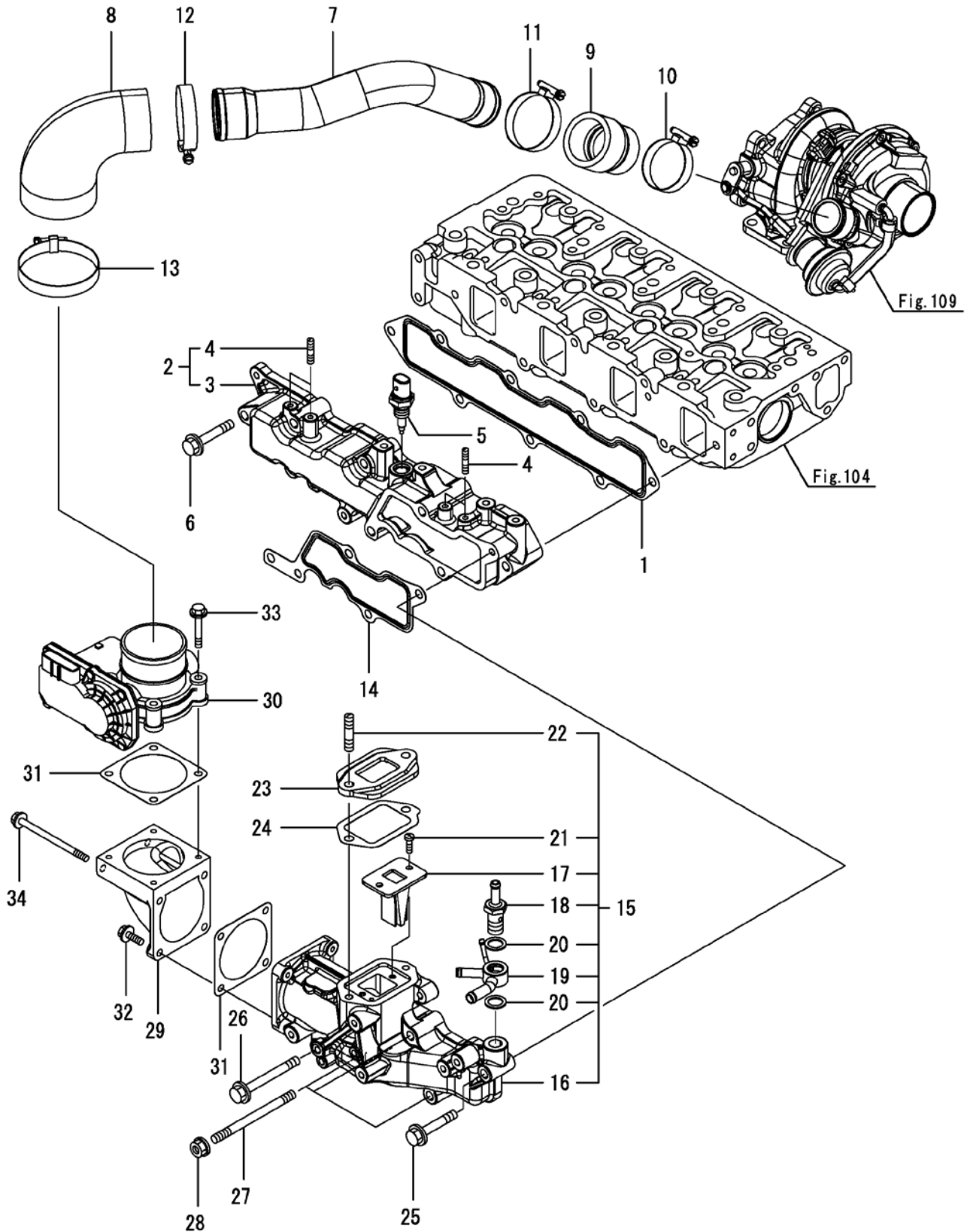
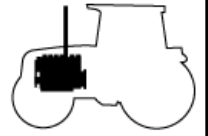
SUCTION MANIFOLD

RK55H / RK55HC

P1

YEAR

2017



NOTE

FIG 106

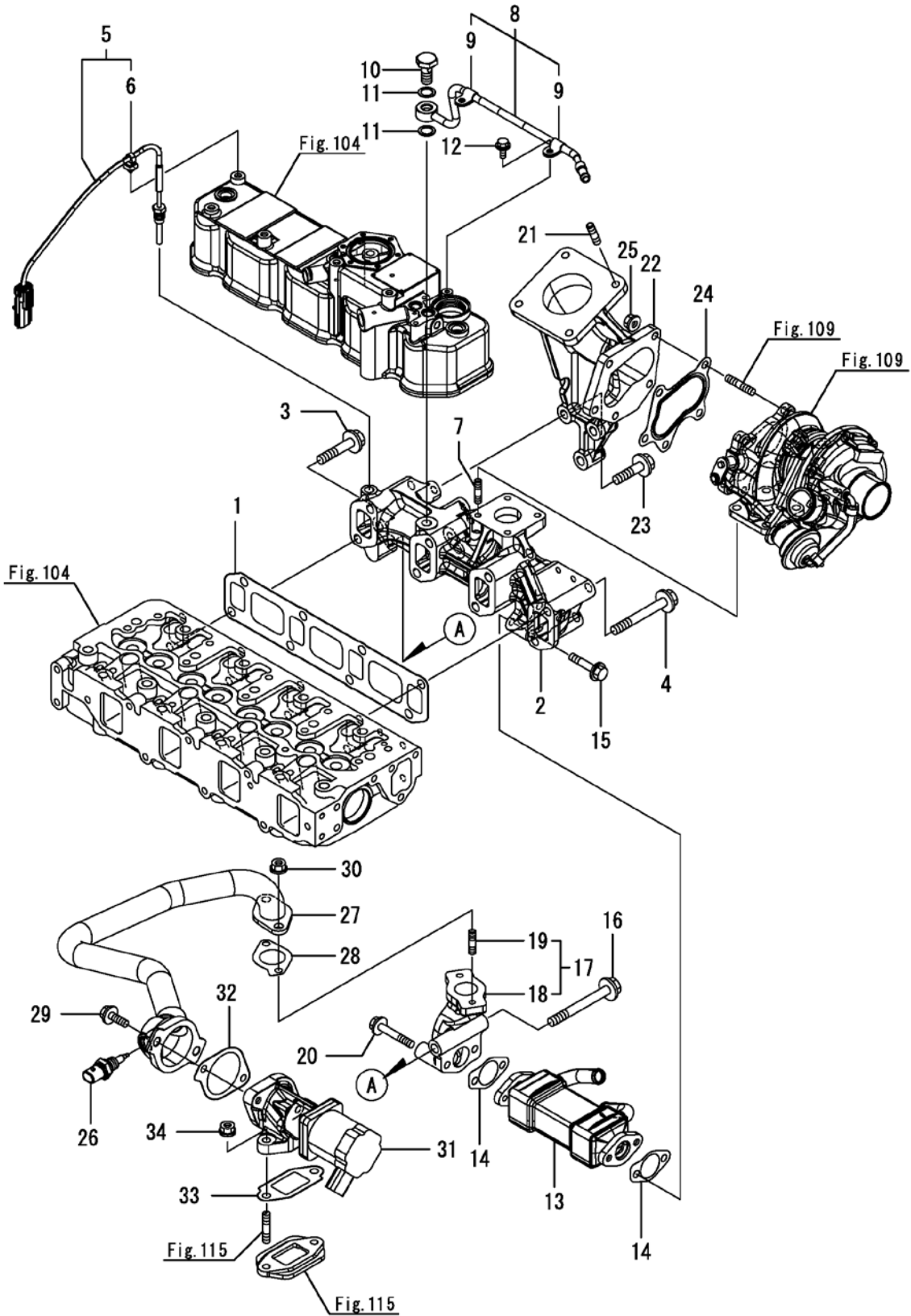
EXHAUST MANIFOLD

RK55H / RK55HC

P1

YEAR

2017



NOTE

FIG 107

DIESEL PARTICULATE FILTER

RK55H / RK55HC

P1

YEAR

2017

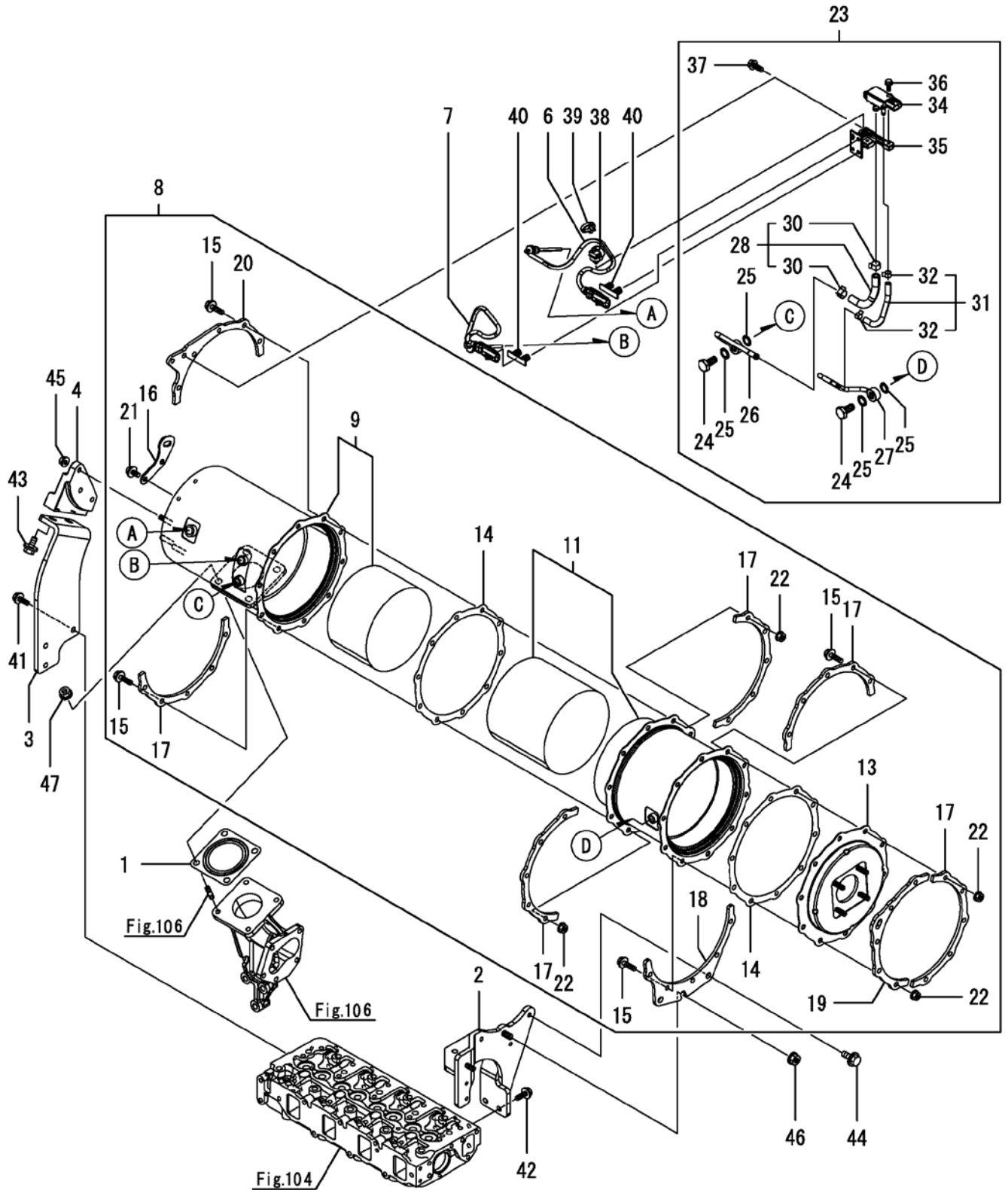
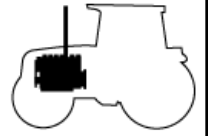


Fig.106

Fig.106

Fig.104

NOTE

FIG 108

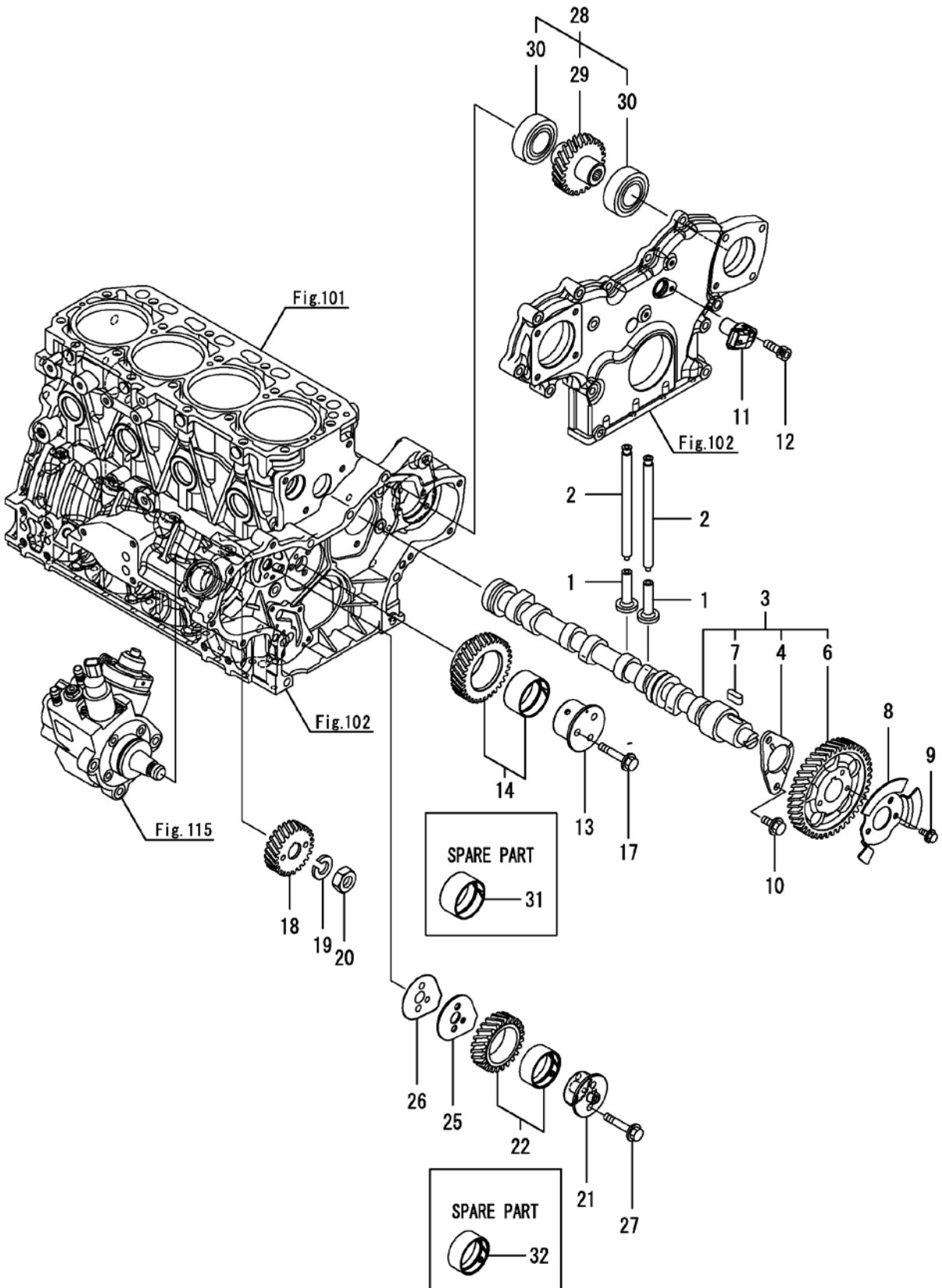
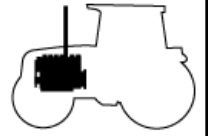
CAMSHAFT & DRIVING GEAR

RK55H / RK55HC

P1

YEAR

2017



NOTE

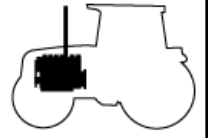
FIG 109

TURBINE

P1

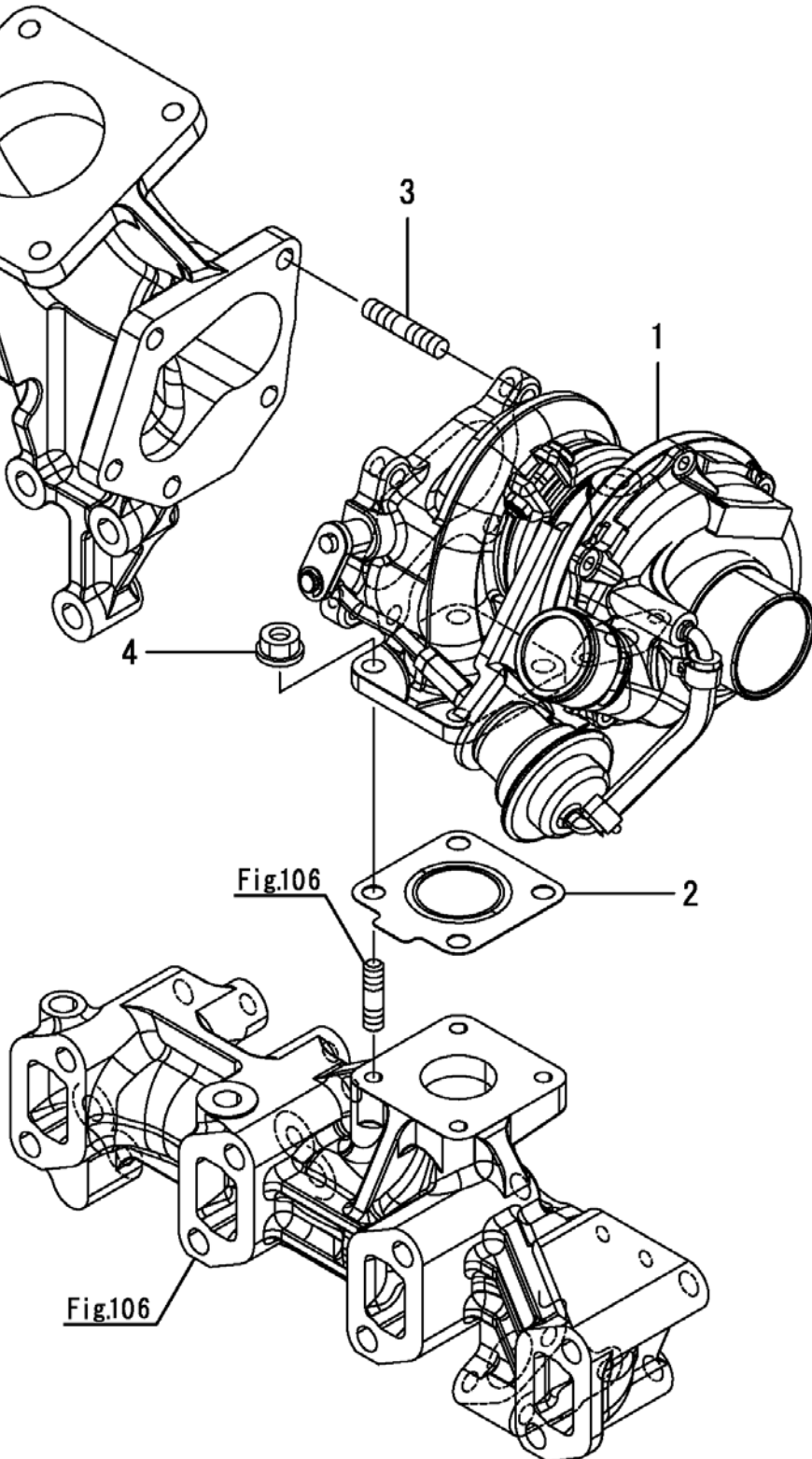
YEAR

2017



RK55H / RK55HC

Fig.106



NOTE

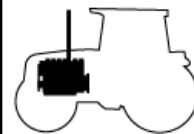
FIG 110

CRANKSHAFT & PISTON

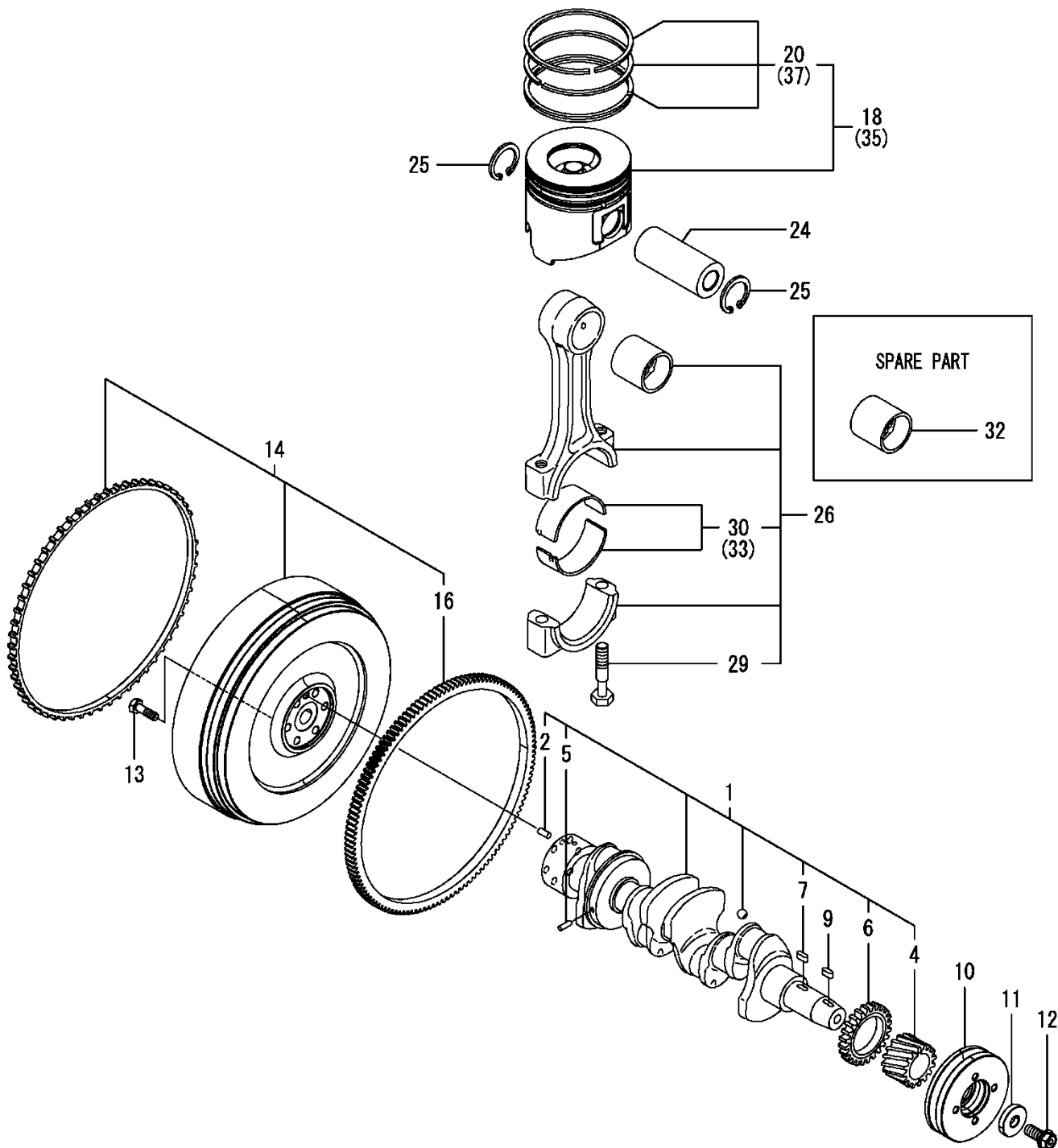
P1

YEAR

2017



RK55H / RK55HC



NOTE

FIG 110 RK55H / RK55HC	CRANKSHAFT & PISTON	P1	YEAR	
			2017	

KEY NO.	PART NO.	DESCRIPTION	SPEC.	QTY.		REPAIR	ENG. SERIAL NO.	REMARKS
				RK55H	RK55HC			
110	001	129558-21000	CRANKSHAFT ASSY		1	1		
110	002	129100-01580	PIN, 8X16		1	1		
110	004	119803-21200	GEAR, CRANKSHAFT		1	1		
110	005	121850-21290	PIN		1	1		
110	006	129400-28121	GEAR, BALANCER		1	1		
110	007	22512-070140	KEY, 7X14		1	1		
110	009	22512-070140	KEY, 7X14		1	1		
110	010	119852-21650	V-PULLEY,120		1	1		
110	011	129795-21661	WASHER		1	1		
110	012	121850-21680	BOLT		1	1		
110	013	121111-21501	BOLT, FLYWHEEL		6	6		
110	014	129C26-21580	FLYWHEEL ASSY		1	1		
110	016	124550-21600	GEAR, RING		1	1		
110	018	129A01-22080	PISTON ASSY		4	4		
110	020	129A01-22500	RING ASSY, PISTON		4	4		
110	024	129202-22300	PIN, PISTON D26 L70		4	4		
110	025	22252-000260	RING, 26		8	8		
110	026	729402-23100	ROD ASSY, CONNECTING		4	4		
110	029	121550-23200	BOLT, CONNECTING ROD		8	8		
110	030	129150-23601	BEARING, CRANK PIN		4	4		
110	032	129100-23910	BEARING, PISTON PIN		4	4		
110	033	129150-23611	BEARING, 0.25 US		4	4		
110	035	129C00-22900	PISTON ASSY, 0.25 OS		4	4		
110	037	129A00-22950	RINGSET, 0.25 OS		4	4		

NOTE (1) Spare parts. (2) Under-sized (U.S.=0.25) parts. (3) Over-sized (O.S.=0.25) parts.

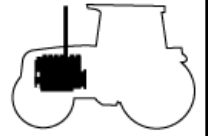
FIG 111

BALANCER

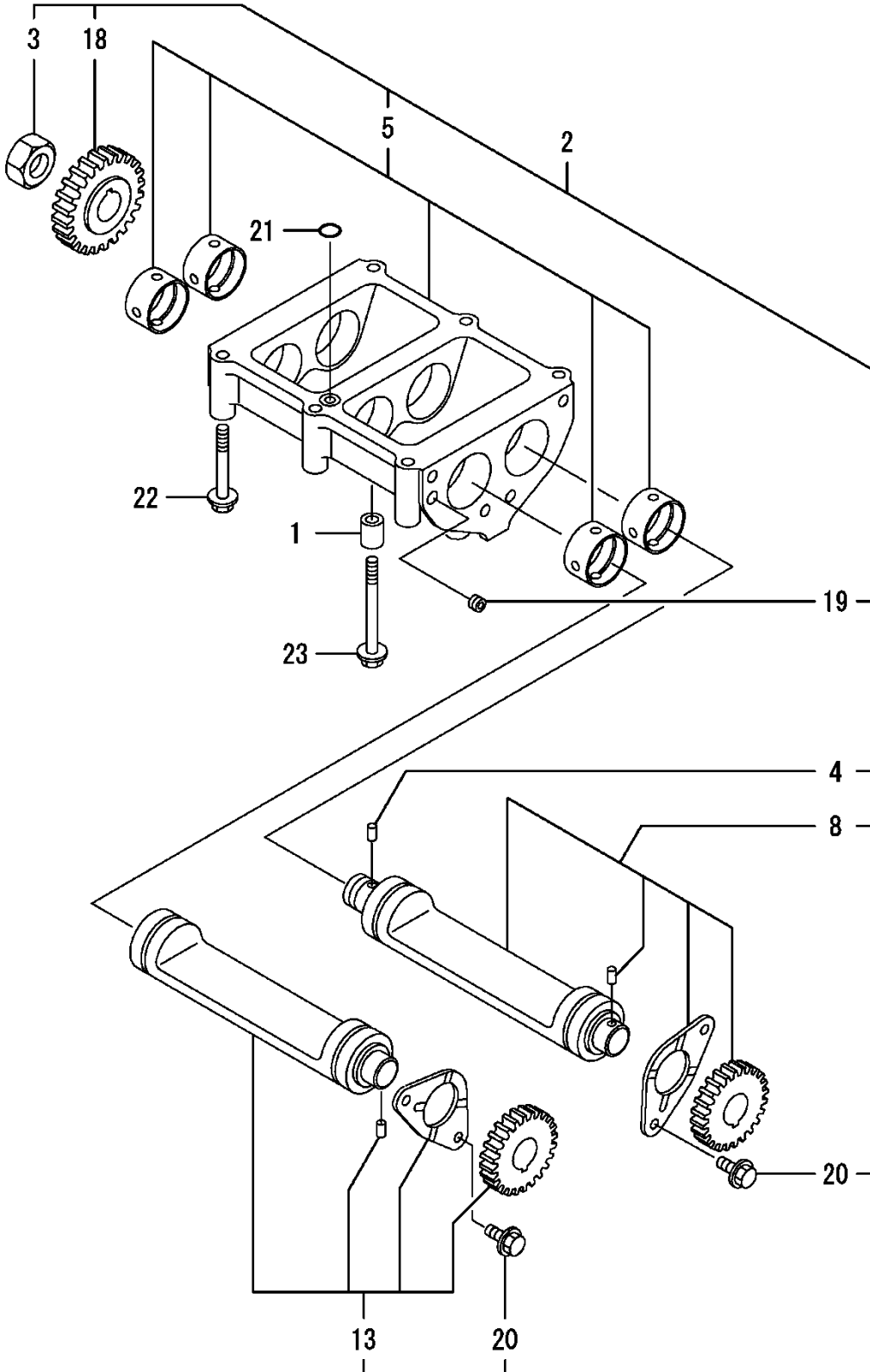
P1

YEAR

2017



RK55H / RK55HC



NOTE

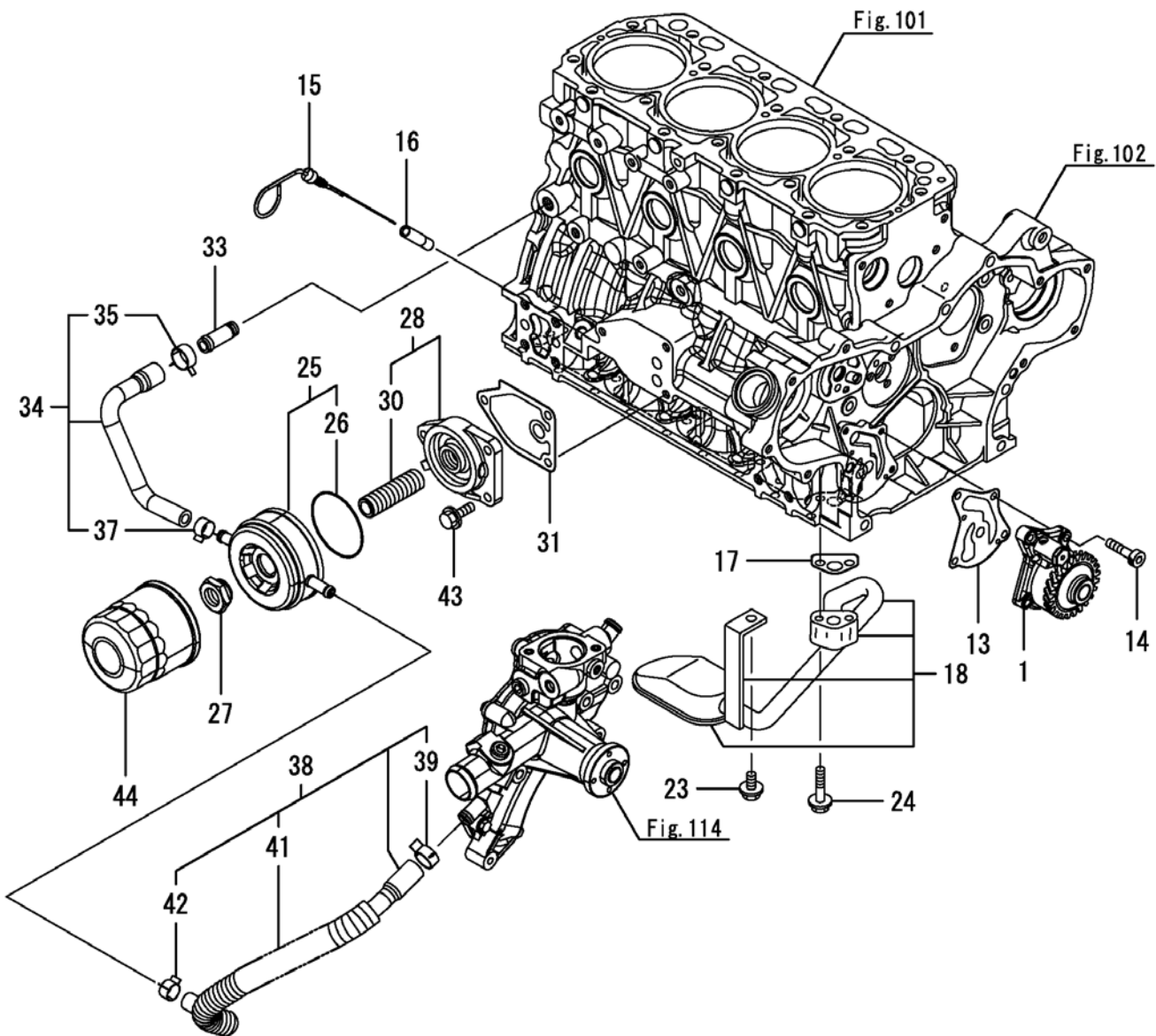
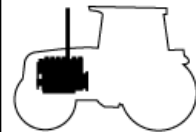
FIG 112

LUB. OIL SYSTEM

P1

YEAR

2017



NOTE

FIG 113

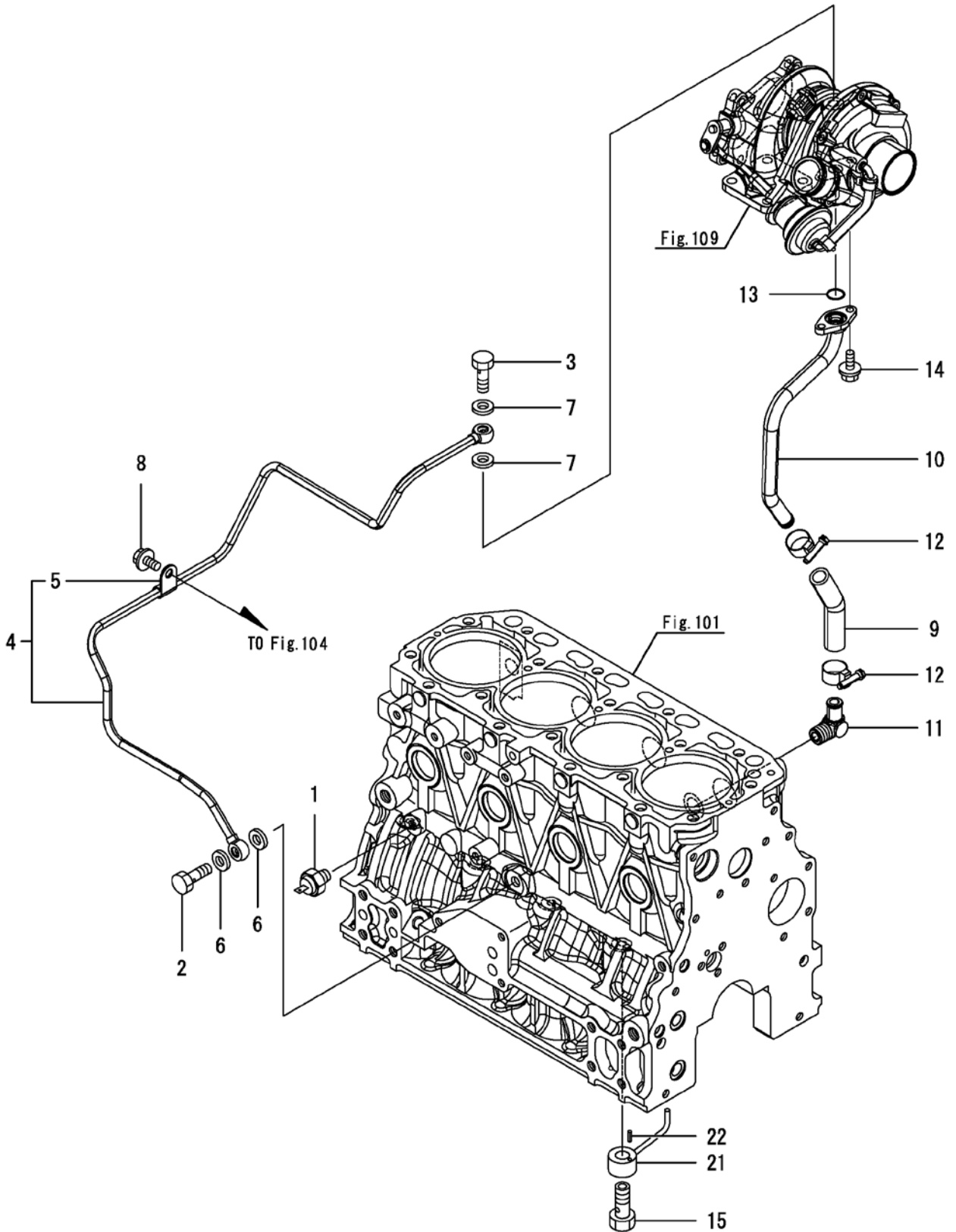
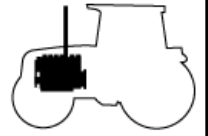
LUB. OIL LINE

RK55H / RK55HC

P1

YEAR

2017



NOTE

FIG 113

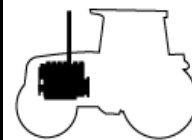
RK55H / RK55HC

LUB. OIL LINE

P1

YEAR

2017



KEY NO.	PART NO.	DESCRIPTION	SPEC.	QTY.		REPAIR	ENG. SERIAL NO.	REMARKS
				RK55H	RK55HC			
113	001	119761-39450	SWITCH , 0.5KG		1	1		
113	002	124160-39140	BOLT , PIPE JOINT M10		1	1		
113	003	121252-39150	BOLT, JOINT M10X1.5		1	1		
113	004	129C01-39450	PIPE ASSY , LUB.OIL		1	1		
113	005	124223-39900	RETAINER		1	1		
113	006	22190-100002	WASHER , SEAL10		2	2		
113	007	23414-100000	GASKET , 10X1.0		2	2		
113	008	26106-080122	BOLT , M8X12 PLATED		1	1		
113	009	129044-39610	JOINT , RUBBER		1	1		
113	010	129C01-39610	PIPE , LUB.OIL		1	1		
113	011	129466-49300	ELBOW , PT3/8		1	1		
113	012	23000-022000	CLAMP , 22		2	2		
113	013	24316-000160	O-RING , 4DP16.0		1	1		
113	014	26106-060122	BOLT , M6X12 PLATED		2	2		
113	015	129792-39410	VALVE ASSY , CHECK		4	4		
113	021	129553-39650	NOZZLE		4	4		
113	022	22351-030010	PIN , SPRING 3.0X10		4	4		

NOTE

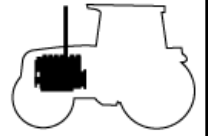
FIG 114

COOLING WATER SYSTEM

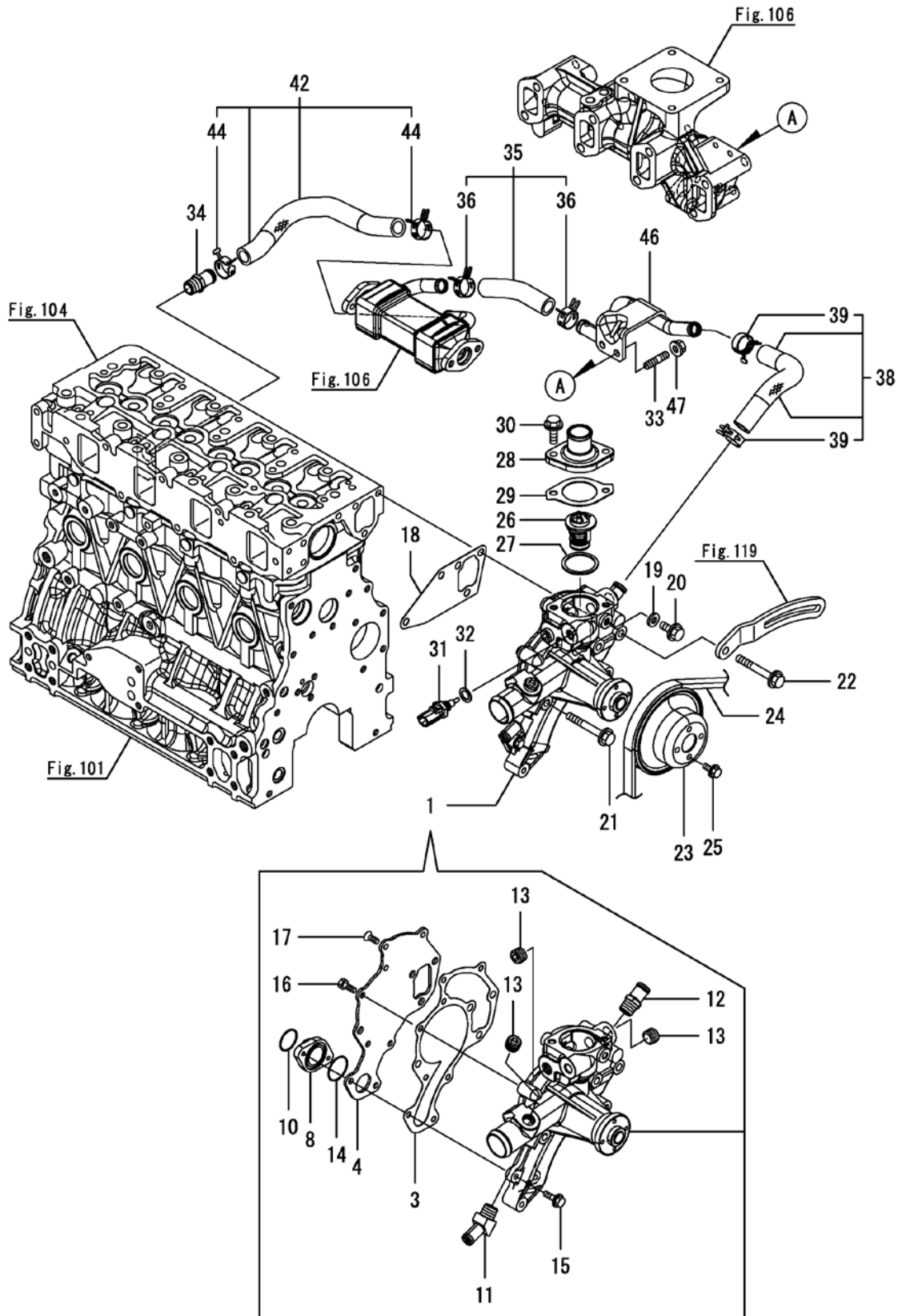
P1

YEAR

2017



RK55H / RK55HC



NOTE

FIG 114

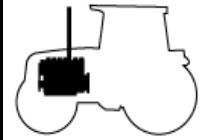
RK55H / RK55HC

COOLING WATER SYSTEM

P1

YEAR

2017



KEY NO.	PART NO.	DESCRIPTION	SPEC.	QTY.		REPAIR	ENG. SERIAL NO.	REMARKS
				RK55H	RK55HC			
114 001	129A33-42001	PUMP ASSY , CW HIGH		1	1			
114 003	129150-42059	GASKET		1	1			
114 004	129263-42120	PLATE		1	1			
114 008	129150-42301	FLANGE		1	1			
114 010	129054-42320	O-RING		1	1			
114 011	129055-49300	ELBOW , R3/8		1	1			
114 012	129928-49420	JOINT		1	1			
114 013	129916-49740	PLUG , R03		3	3			
114 014	24358-240310	O-RING , 524031		1	1			
114 015	26106-060202	BOLT , M6X20 PLATED		2	2			
114 016	26116-060162	BOLT , M6X16 PLATED		3	3			
114 017	26577-060152	SCREW , M6X15		3	3			
114 018	129486-42050	GASKET , WATER PUMP		1	1			
114 019	23414-080000	GASKET , 8X1.0		1	1			
114 020	26106-080122	BOLT , M8X12 PLATED		1	1			
114 021	26106-080552	BOLT , M8X55 PLATED		3	3			
114 022	26106-080602	BOLT , M8X60 PLATED		1	1			
114 023	129403-42380	V-PULLEY , D=110		1	1			
114 024	25132-004000	V-BELT , A40		1	1			
114 025	26106-060122	BOLT , M6X12 PLATED		4	4			
114 026	129155-49801	THERMOSTAT , 71		1	1			
114 027	129150-49811	GASKET , THERMOSTAT		1	1			
114 028	129350-49530	COVER , THERMOSTAT		1	1			
114 029	129795-49551	GASKET		1	1			
114 030	26106-080222	BOLT , M8X22 PLATED		2	2			
114 031	129927-44900	SENSOR		1	1			
114 032	22190-120002	WASHER , SEAL12		1	1			
114 033	119131-18320	STUD , M8X22		2	2			
114 034	129928-49420	JOINT		1	1			
114 035	129C00-49610	PIPE ASSY , WATER OUT		1	1			
114 036	129960-03990	CLIP , HOSE 19.8		2	2			
114 038	129C23-49610	PIPE ASSY , CW EGR		1	1			
114 039	129960-03990	CLIP , HOSE 19.8		2	2			
114 042	129C23-49620	PIPE ASSY , CW EGR		1	1			
114 044	129960-03990	CLIP , HOSE 19.8		2	2			
114 046	129C23-49700	PIPE ASSY , CW		1	1			
114 047	26306-080002	NUT , M8		2	2			

NOTE

FIG 115

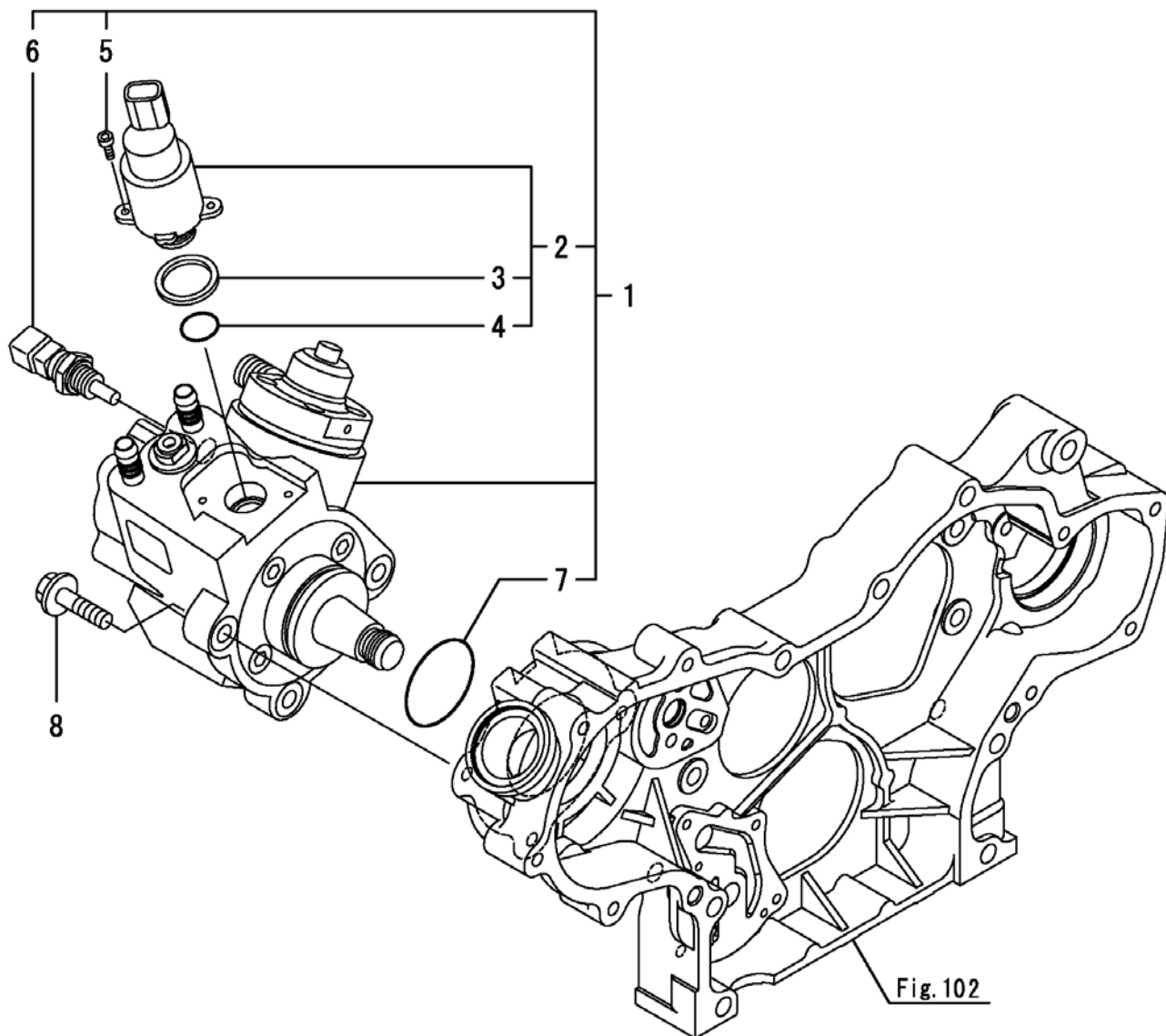
FUEL SUPPLY PUMP

RK55H / RK55HC

P1

YEAR

2017



NOTE

FIG 117

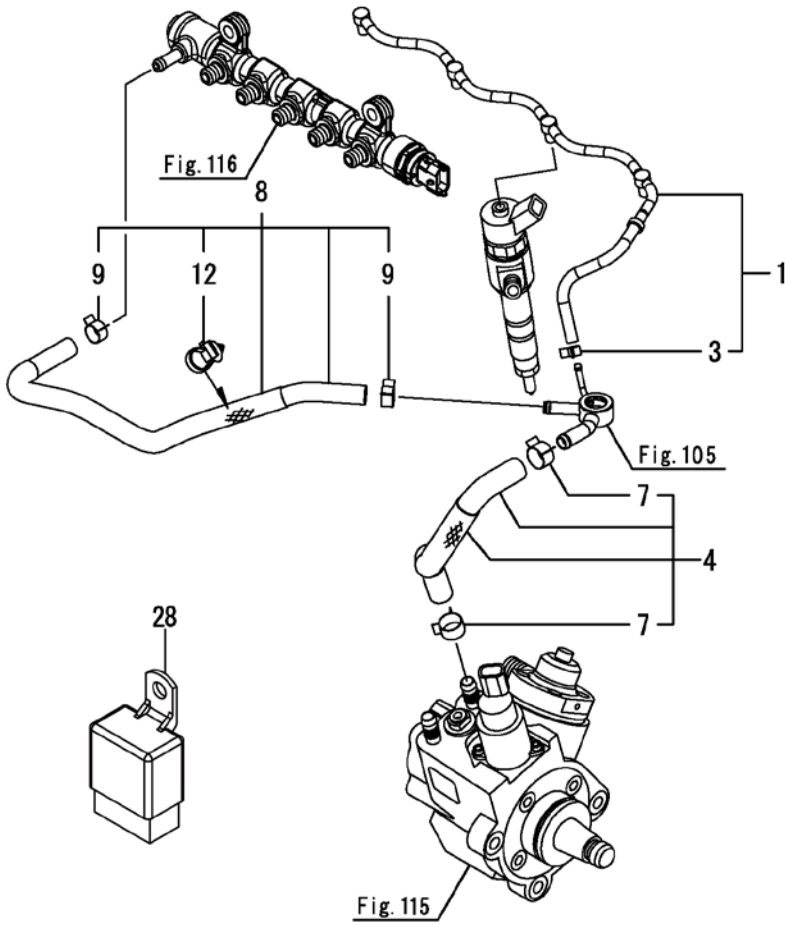
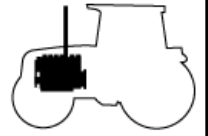
RK55H / RK55HC

FUEL LINE

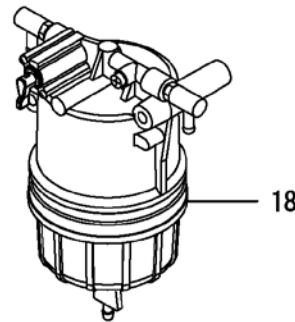
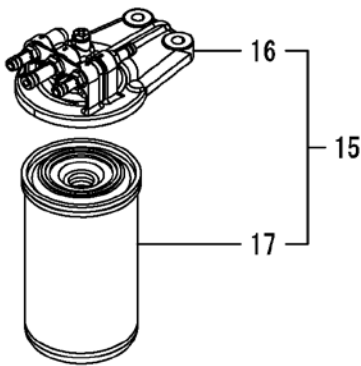
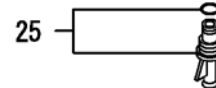
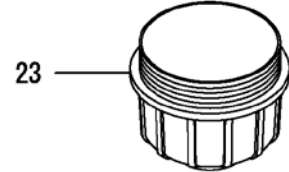
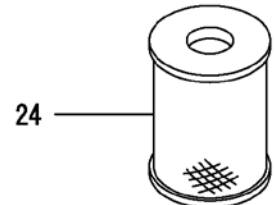
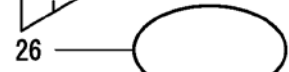
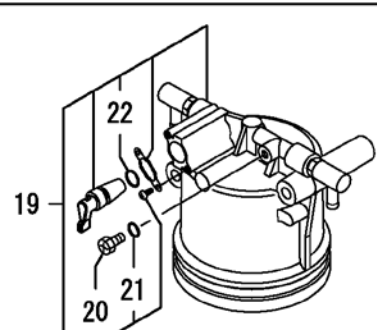
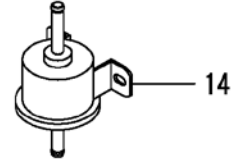
P1

YEAR

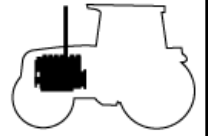
2017



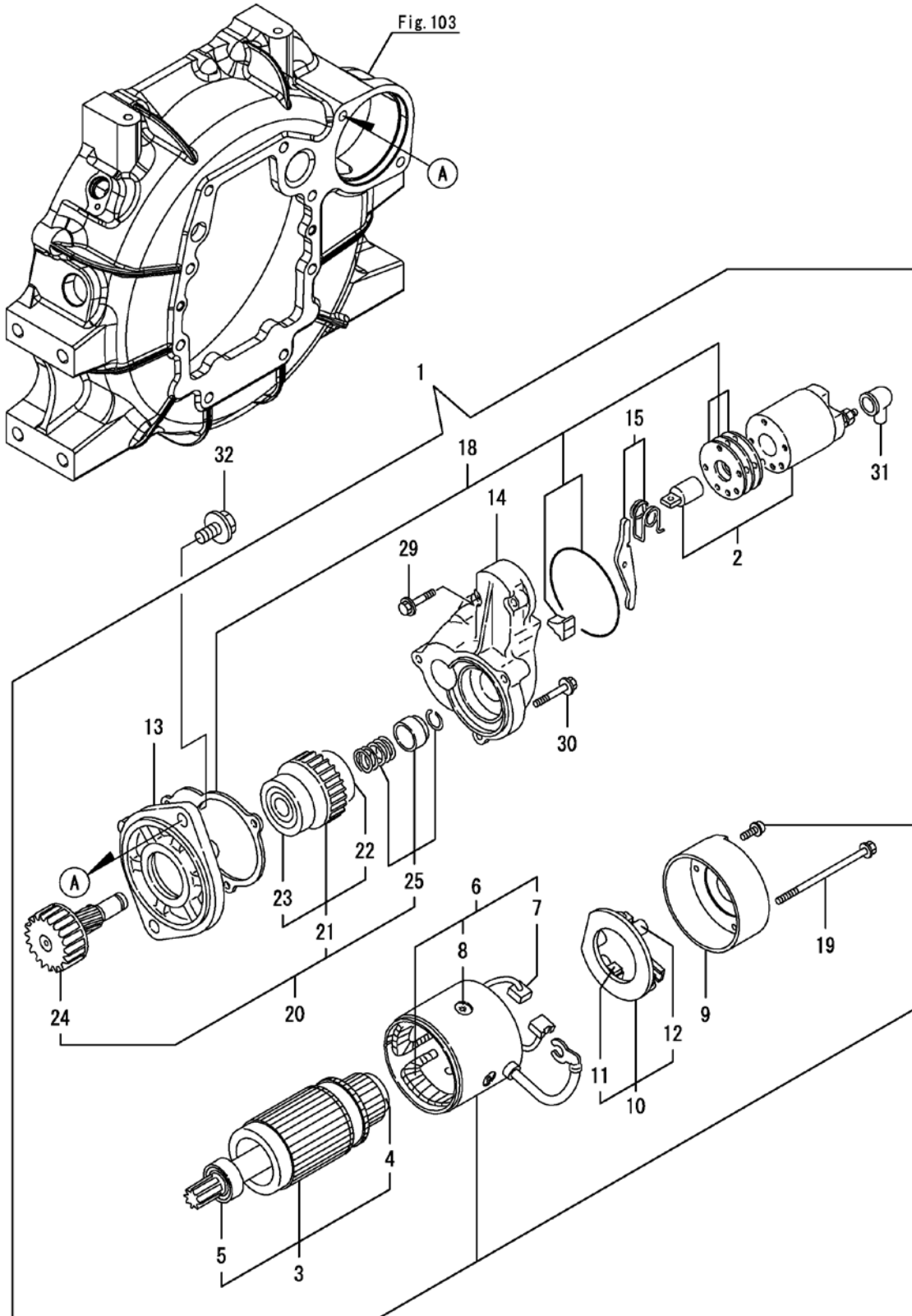
LOOSE PARTS



NOTE



RK55H / RK55HC



NOTE

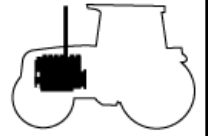
FIG 119

GENERATOR

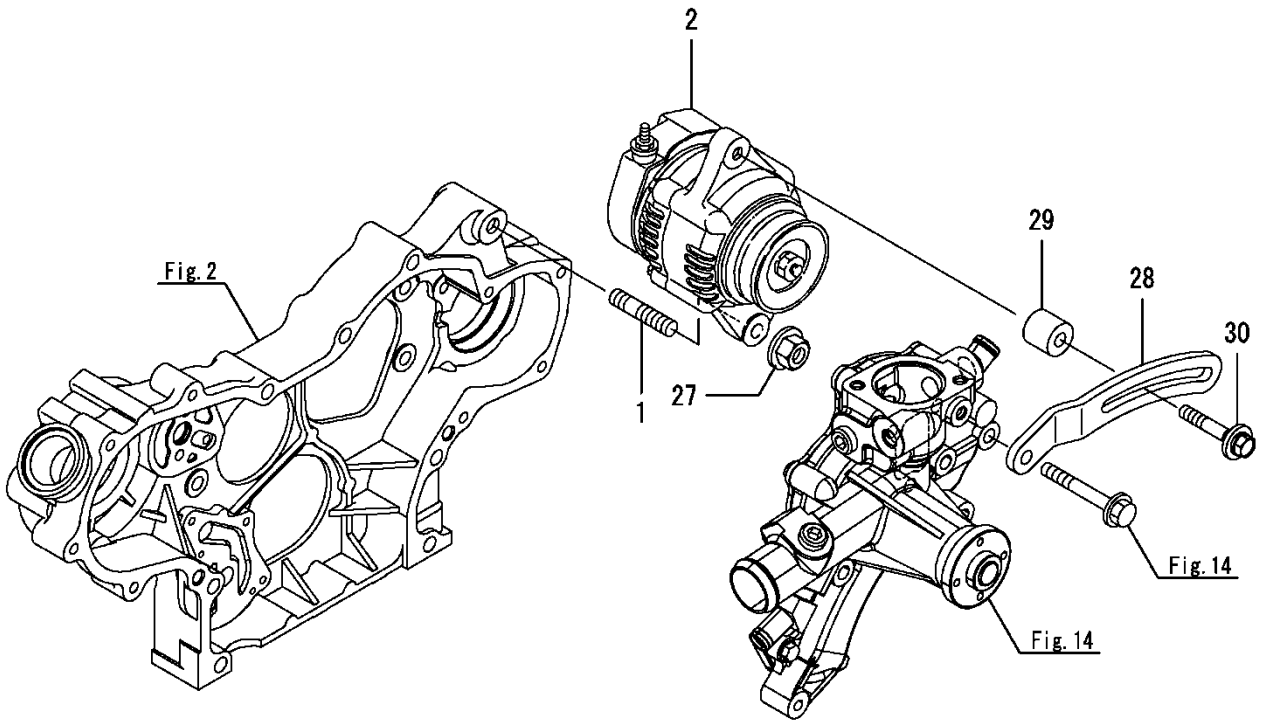
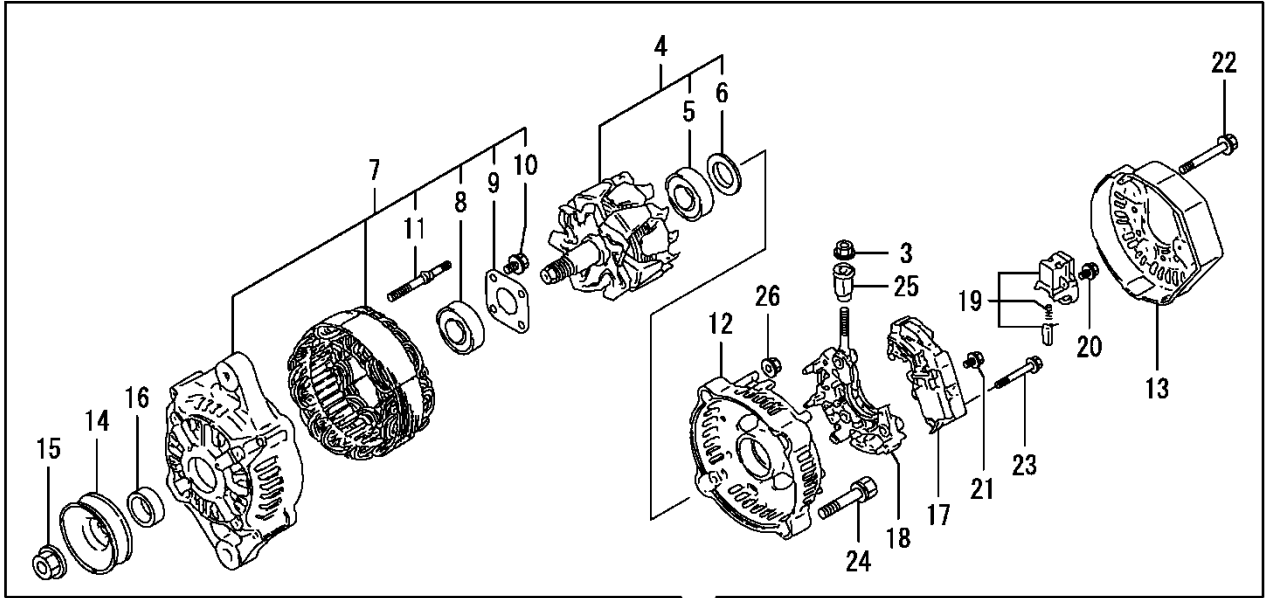
P1

YEAR

2017



RK55H / RK55HC



NOTE

FIG 120

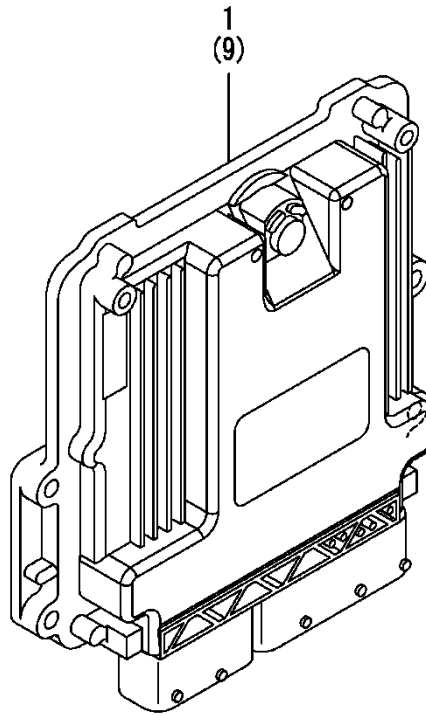
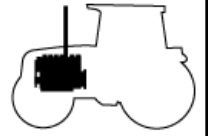
RK55H / RK55HC

ELECTRONIC CONTROL UNIT

P1

YEAR

2017



NOTE

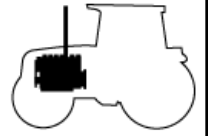
FIG 121

ELECTRIC PARTS

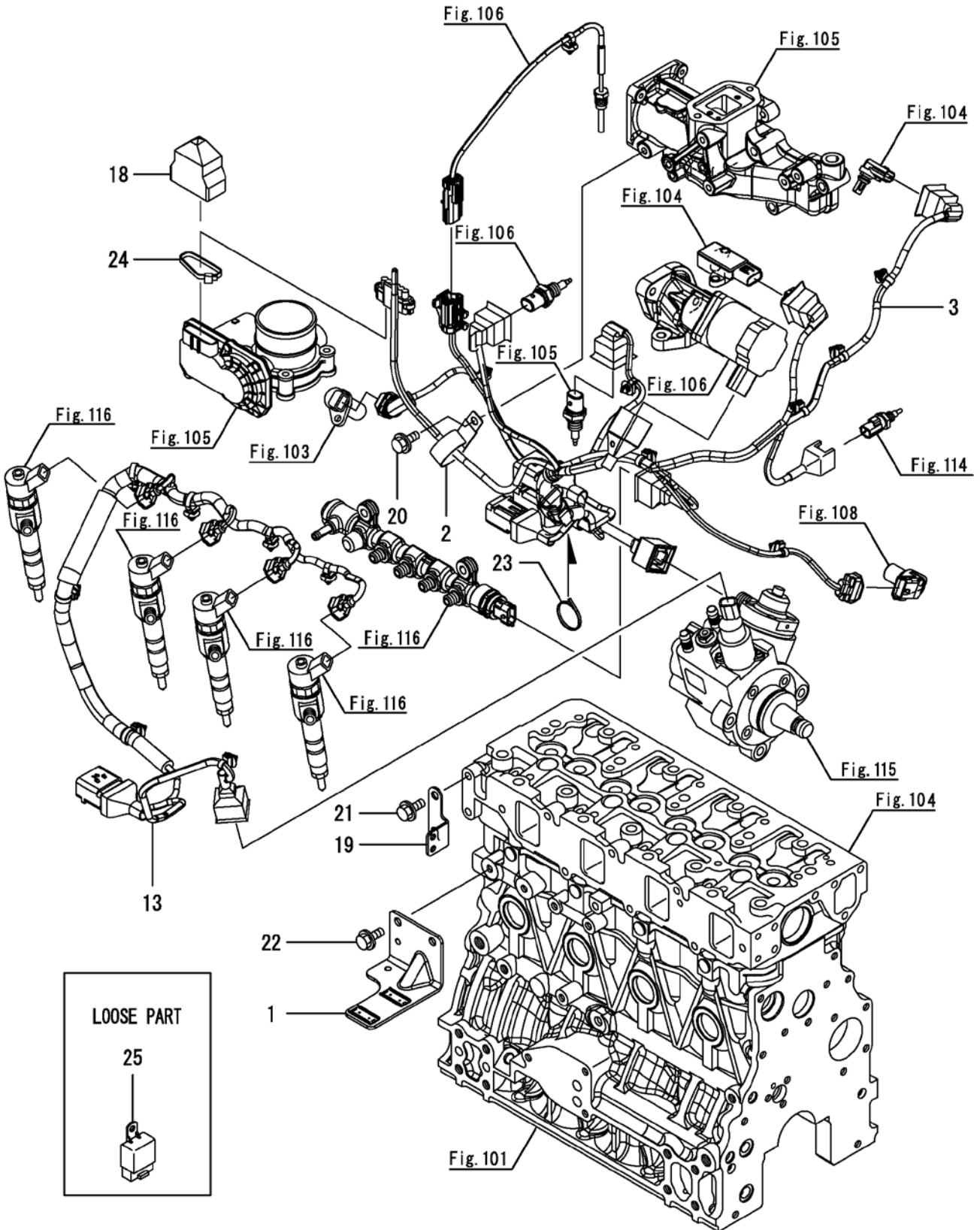
P1

YEAR

2017



RK55H / RK55HC



LOOSE PART

25



NOTE

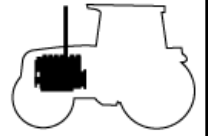
FIG 122

ACCESSORY

P1

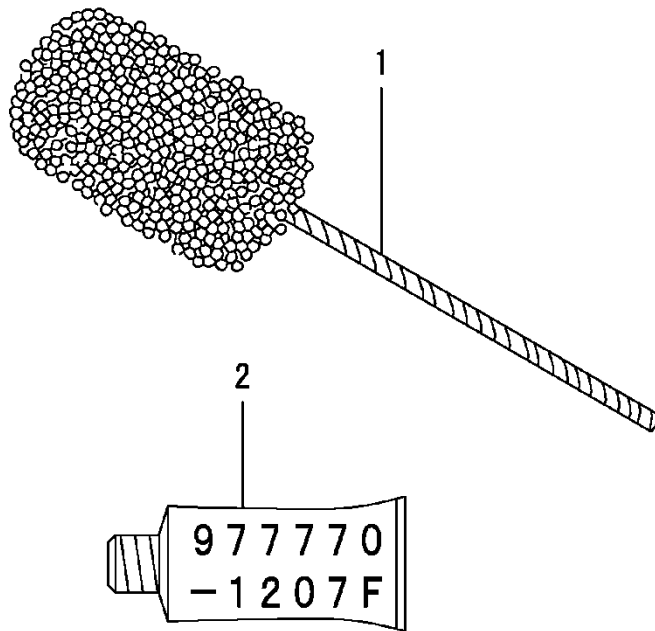
YEAR

2017



RK55H / RK55HC

OPTIONAL PARTS



NOTE

FIG 201

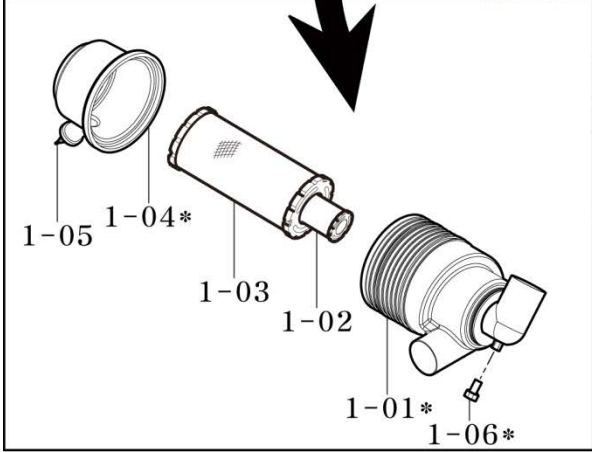
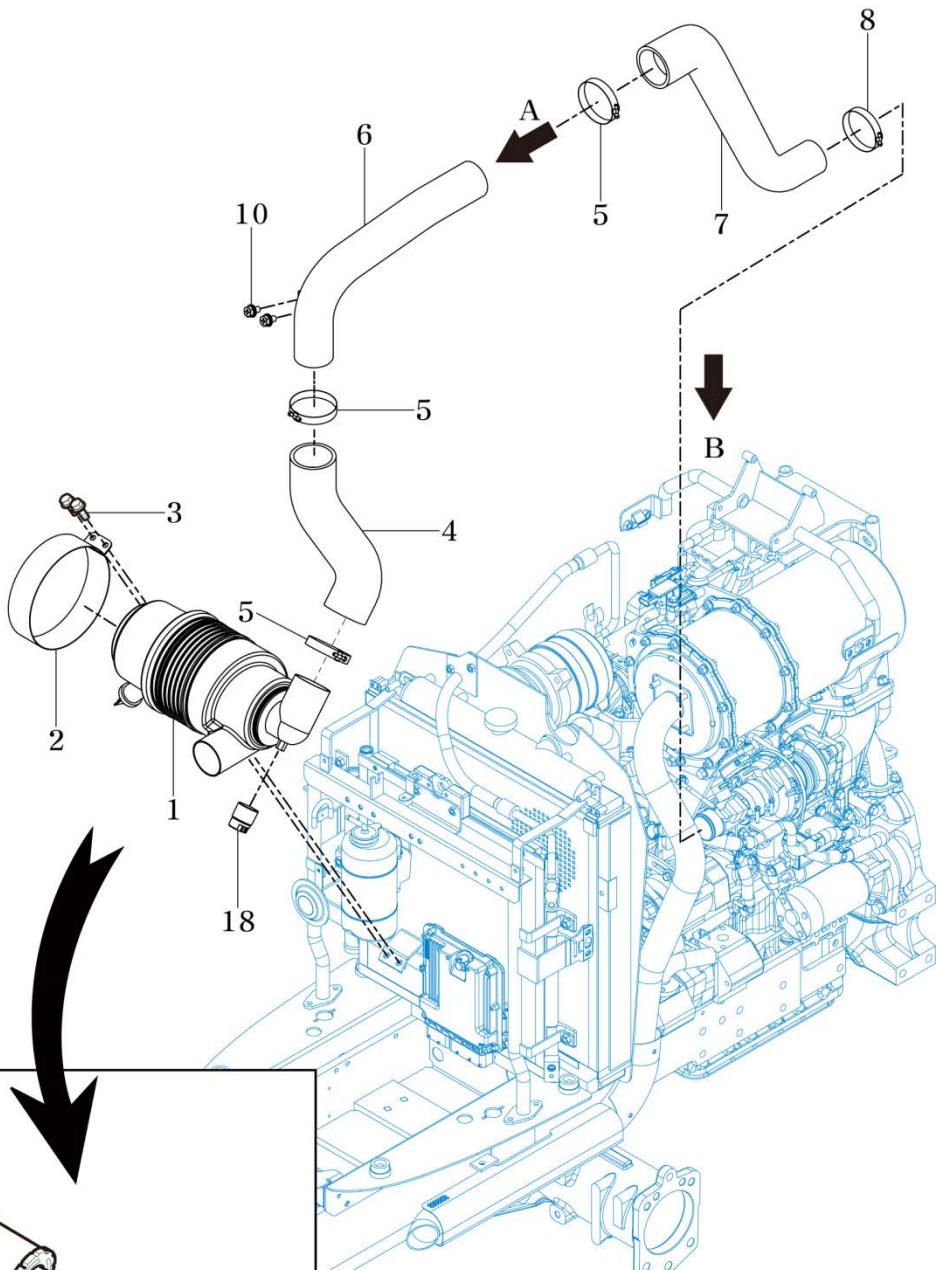
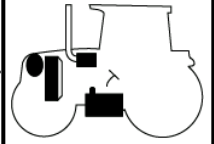
AIR CLEANER

RK55H / RK55HC

P1

YEAR

2017



***NOT SERVICED SEPARATELY**

NOTE

FIG 202

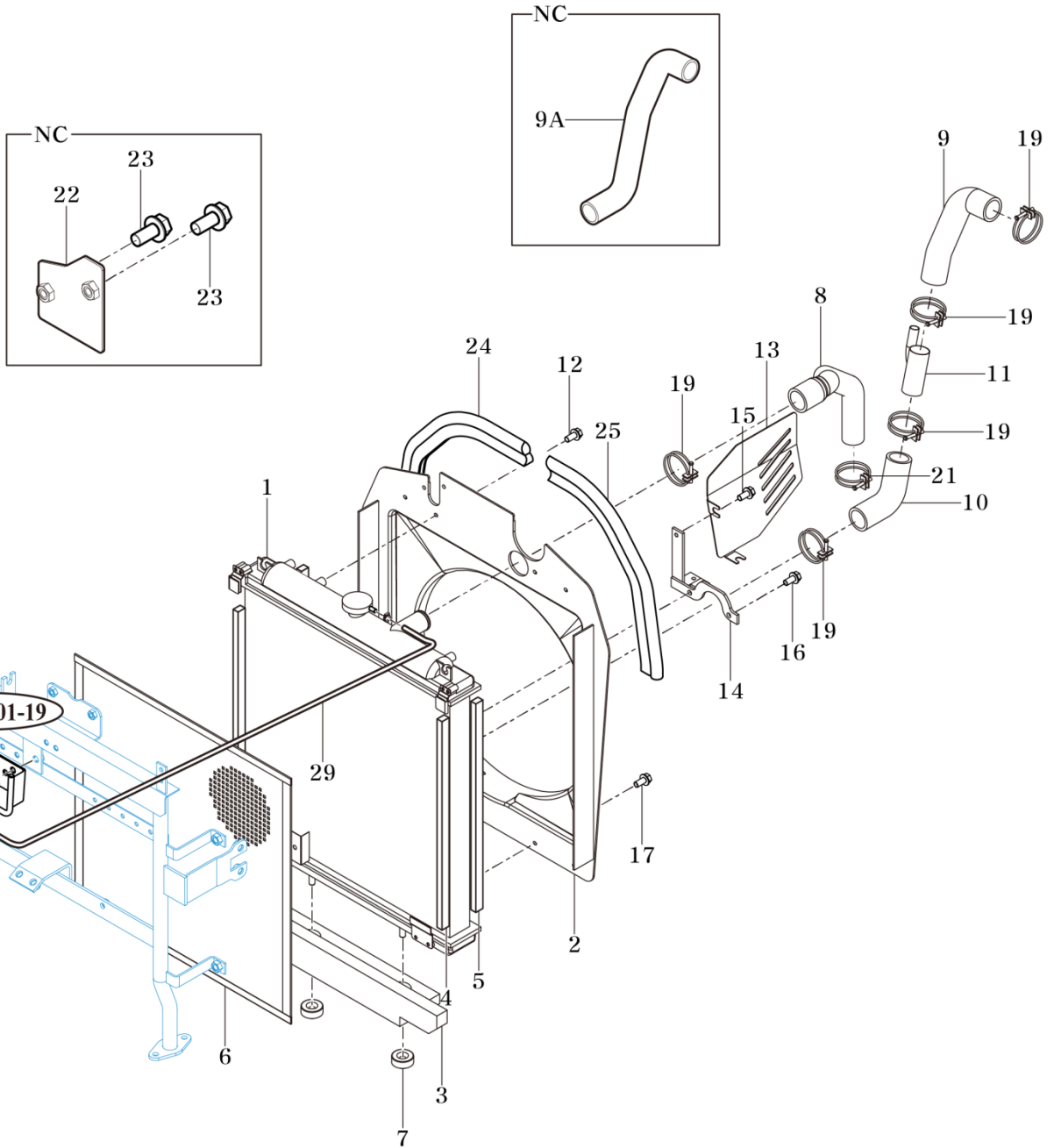
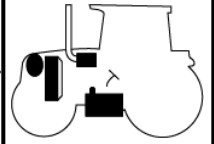
RADIATOR

RK55H / RK55HC

P1

YEAR

2017



NOTE

FIG 203

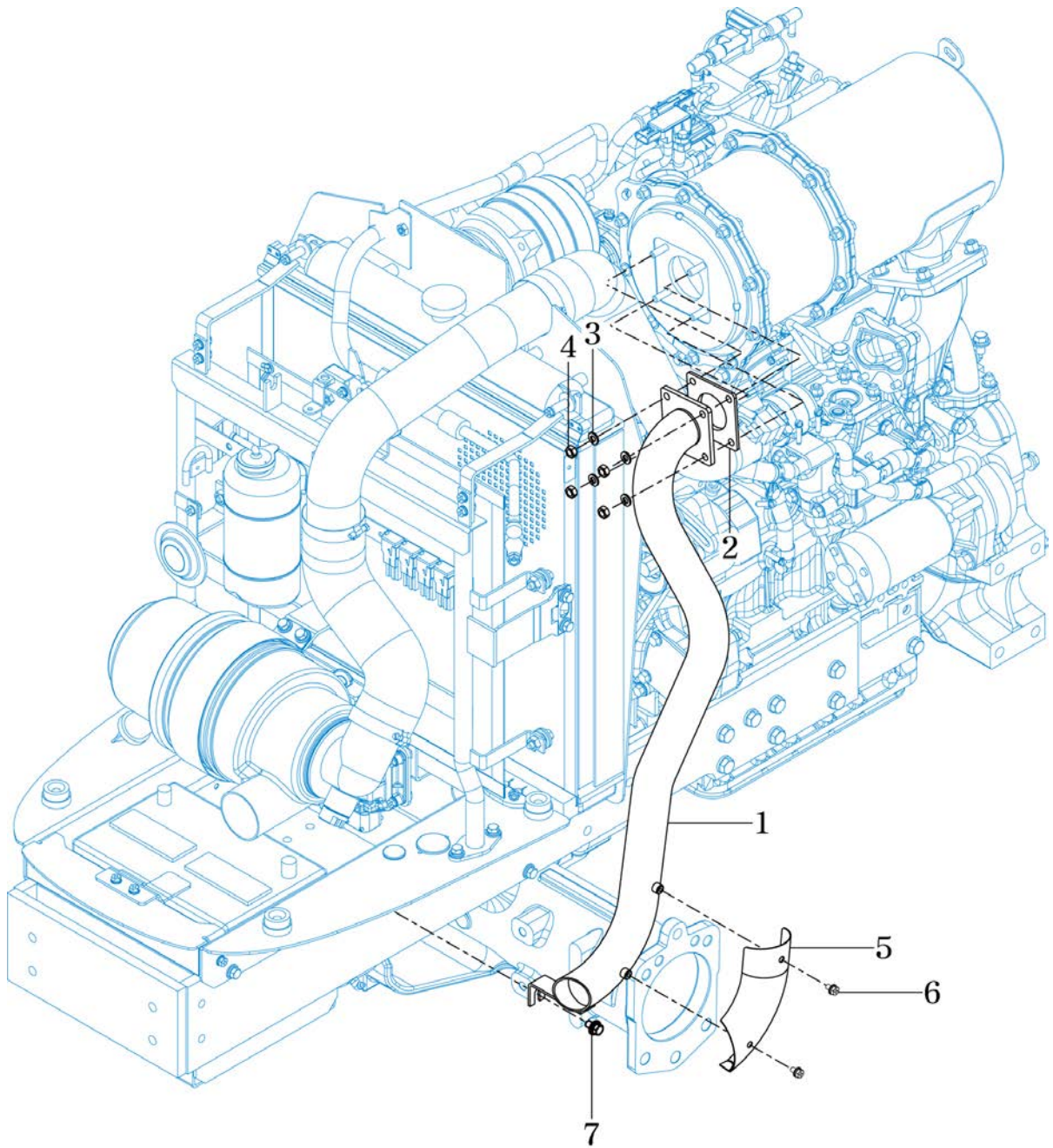
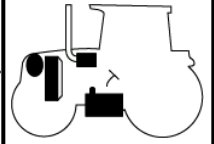
RK55H / RK55HC

MUFFLER

P1

YEAR

2017



NOTE

FIG 204

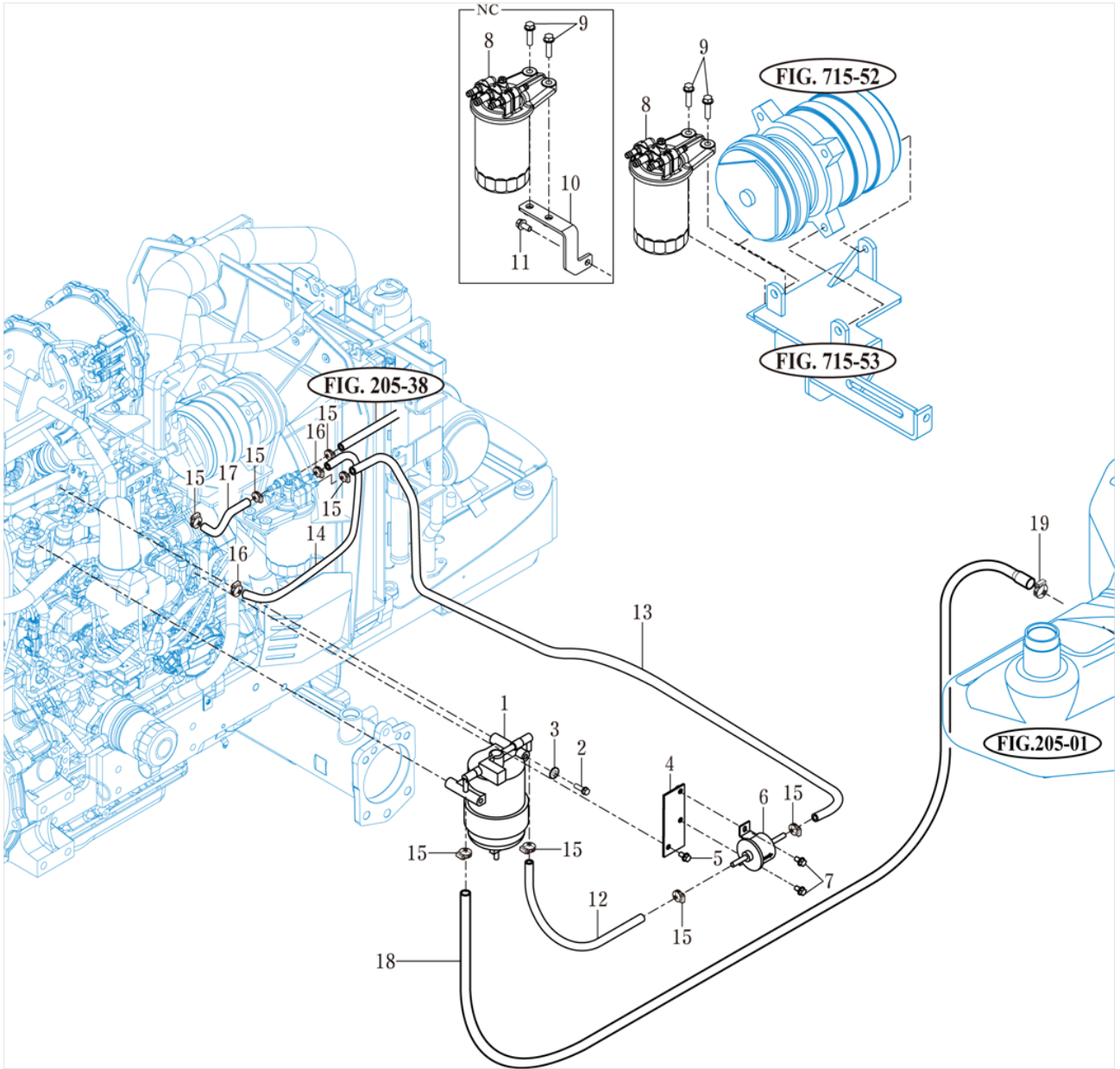
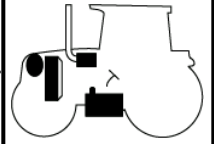
FUEL HOSE & FILTER

RK55H / RK55HC

P1

YEAR

2017



NOTE

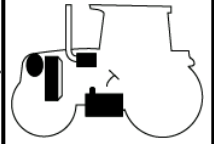
FIG 205

FUEL TANK

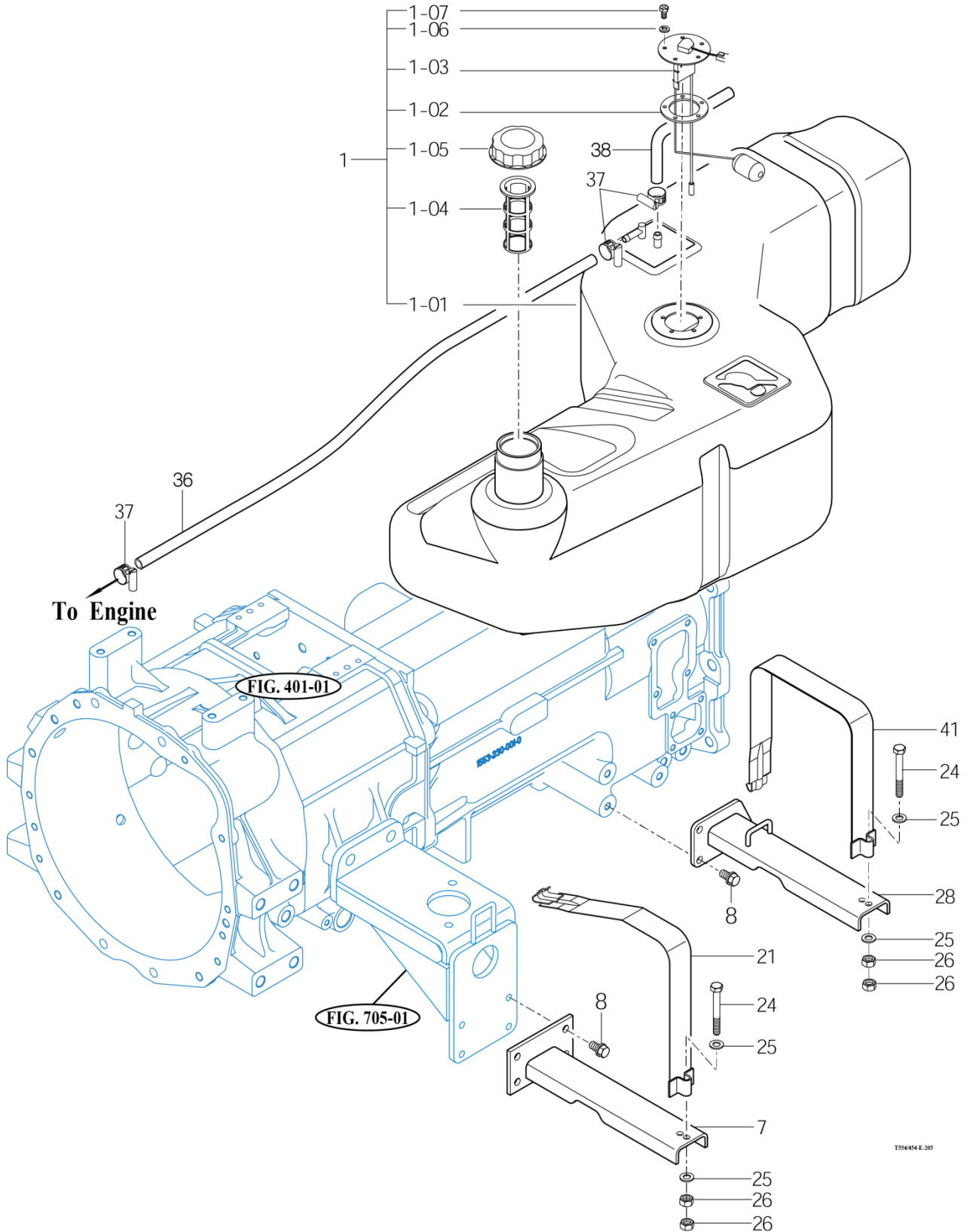
P1

YEAR

2017



RK55H / RK55HC



T554654-E-205

NOTE

FIG 206

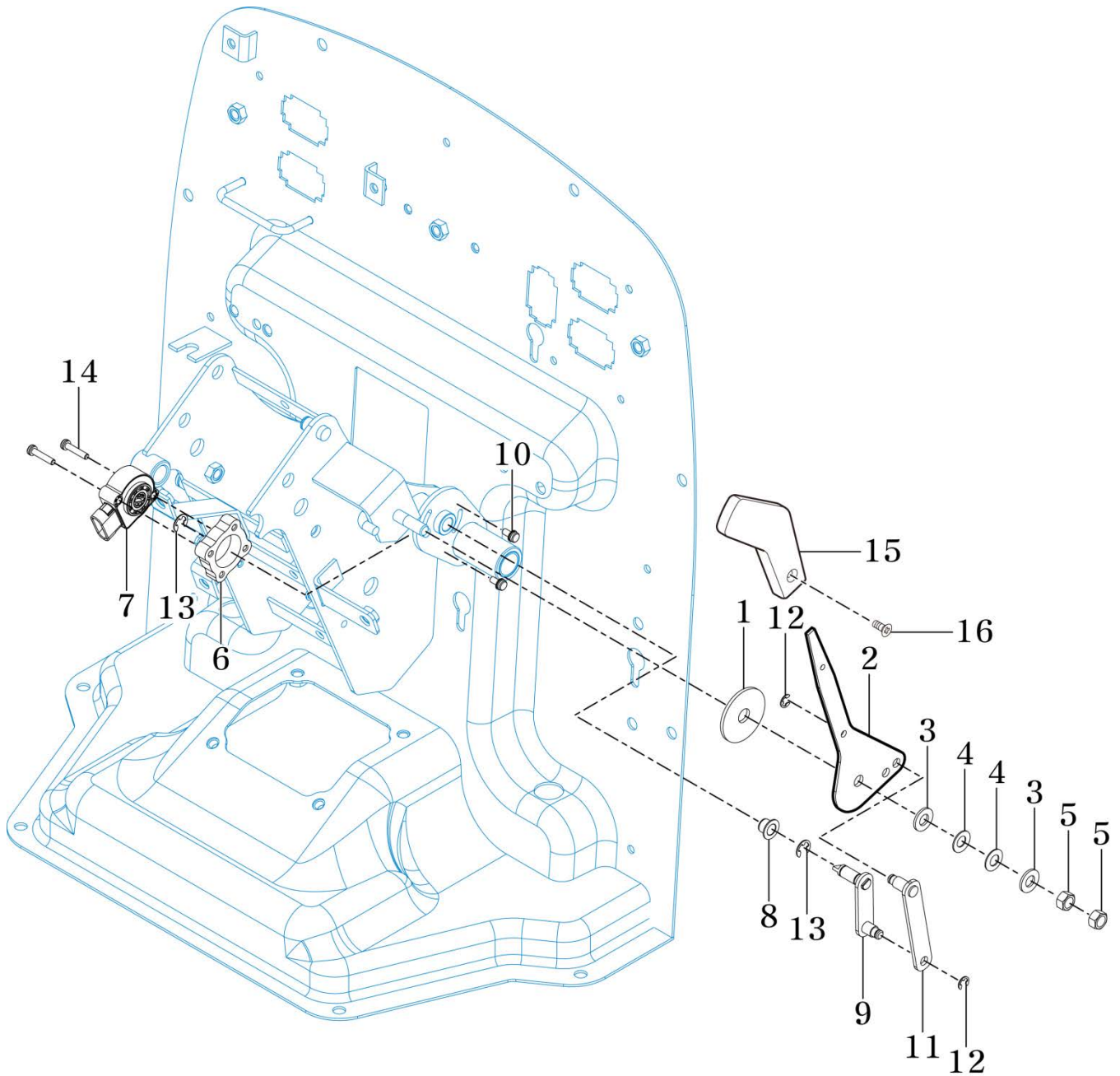
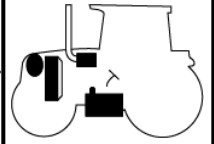
ACCELERATOR

RK55H / RK55HC

P1

YEAR

2017



NOTE

FIG 207

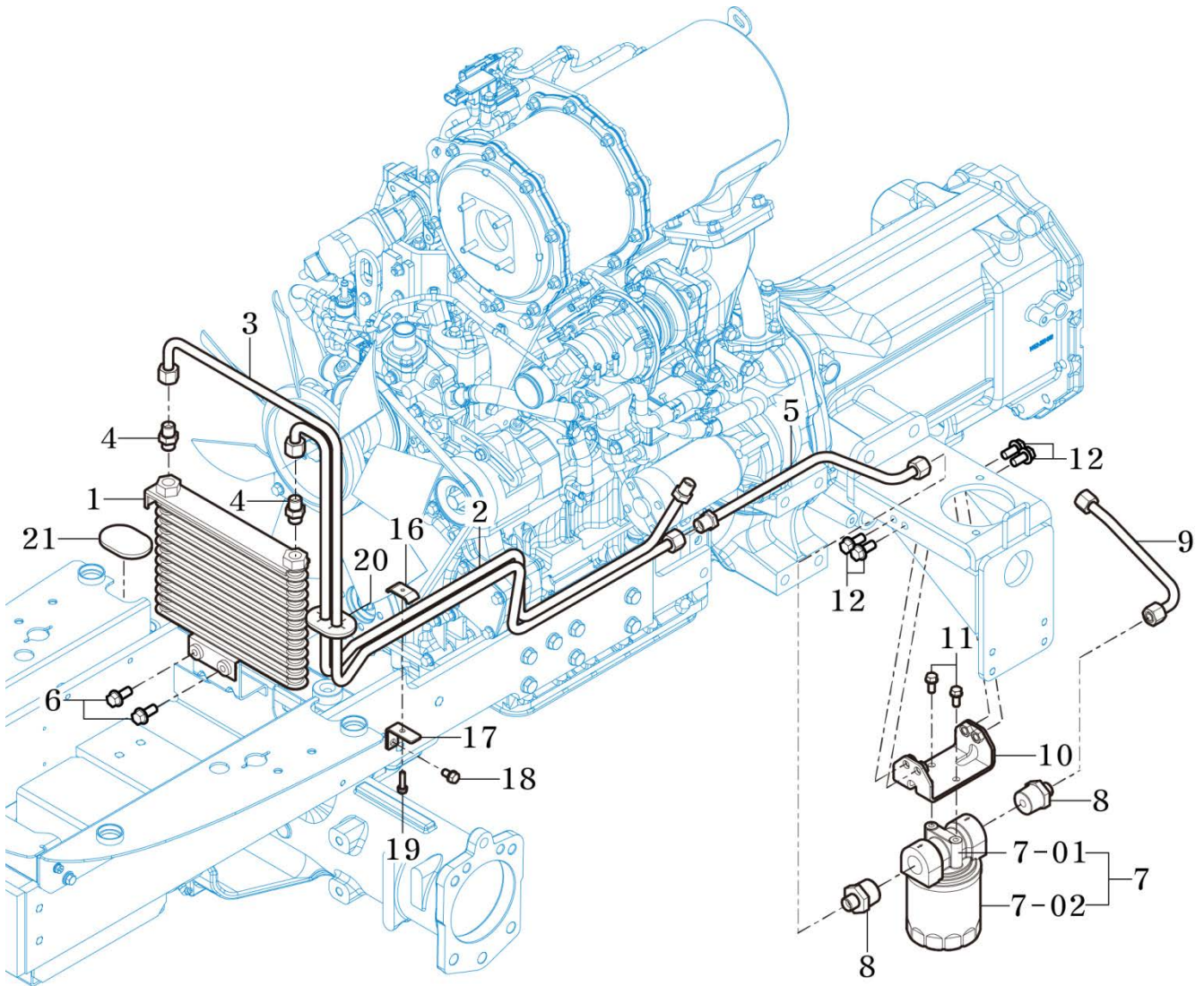
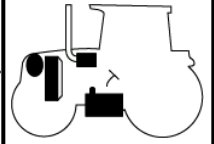
OIL COOLER

RK55H / RK55HC

P1

YEAR

2017



T554/T454-E-207

NOTE

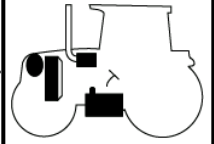
FIG 208

FAN , COOLING

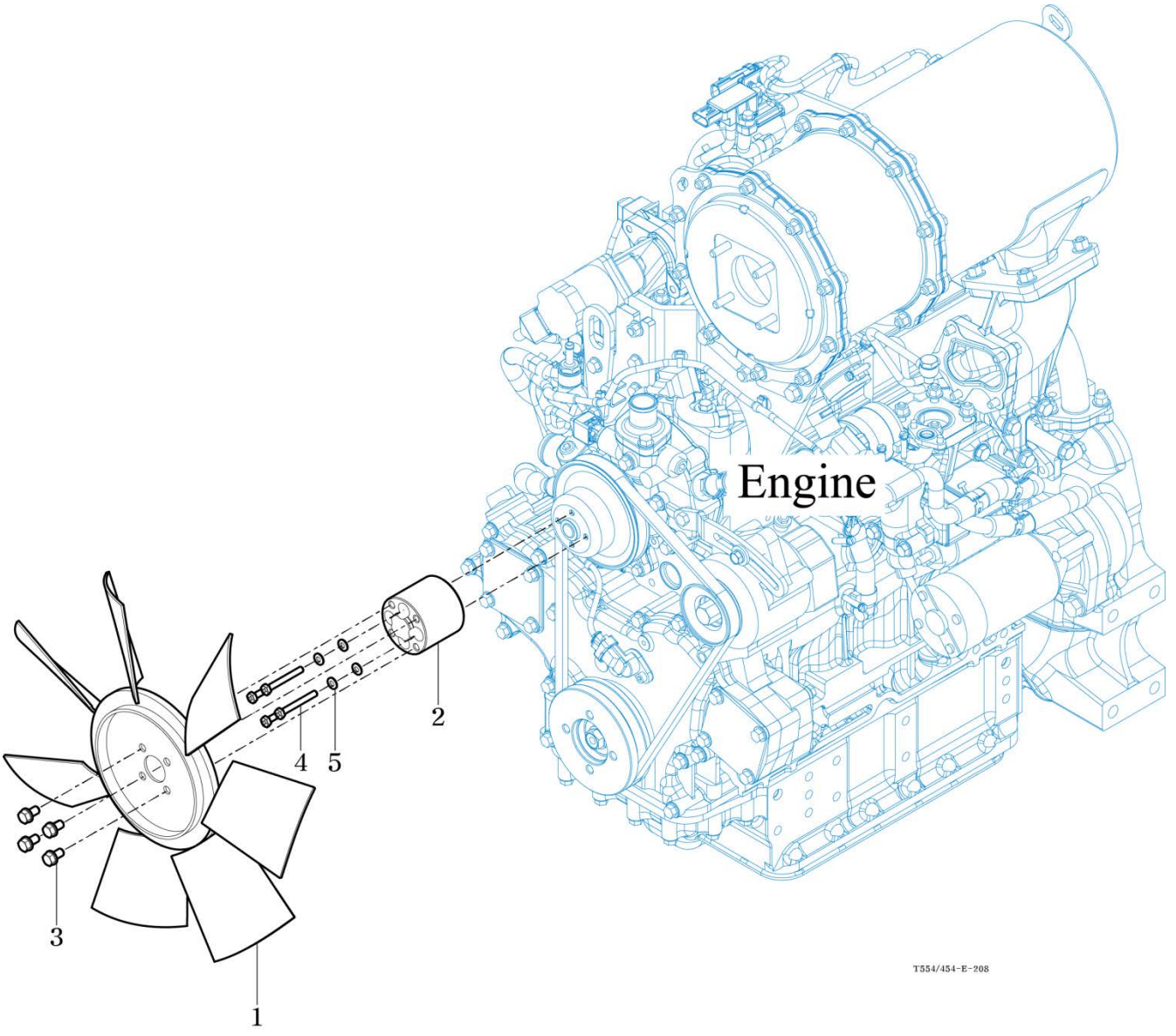
P1

YEAR

2017



RK55H / RK55HC



T354/454-E-208

NOTE

FIG 301

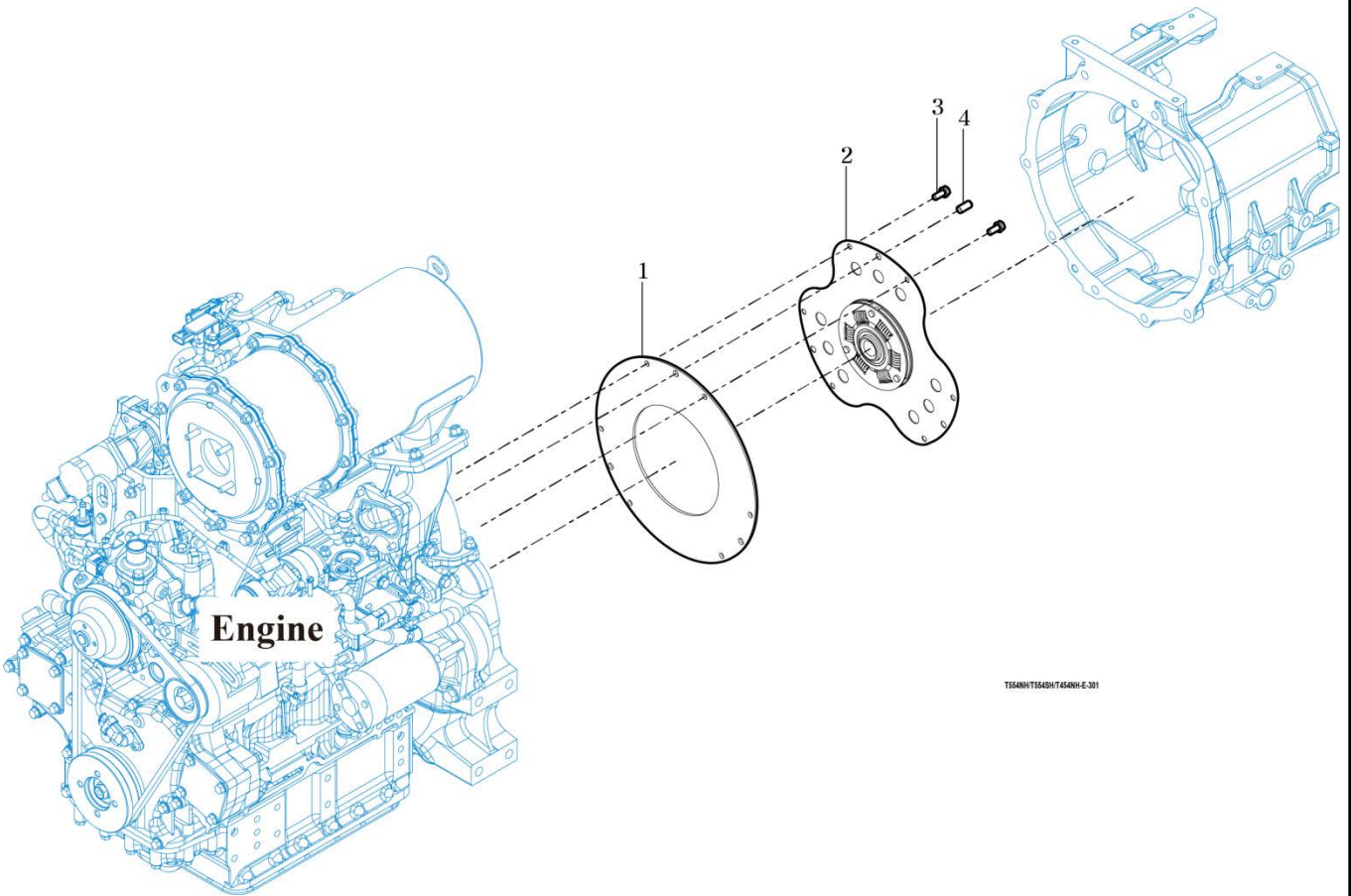
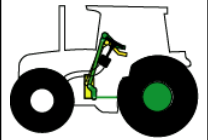
RK55H / RK55HC

CLUTCH

P1

YEAR

2017



TESANNIT654SHIT654NH-E-301

NOTE

FIG 302

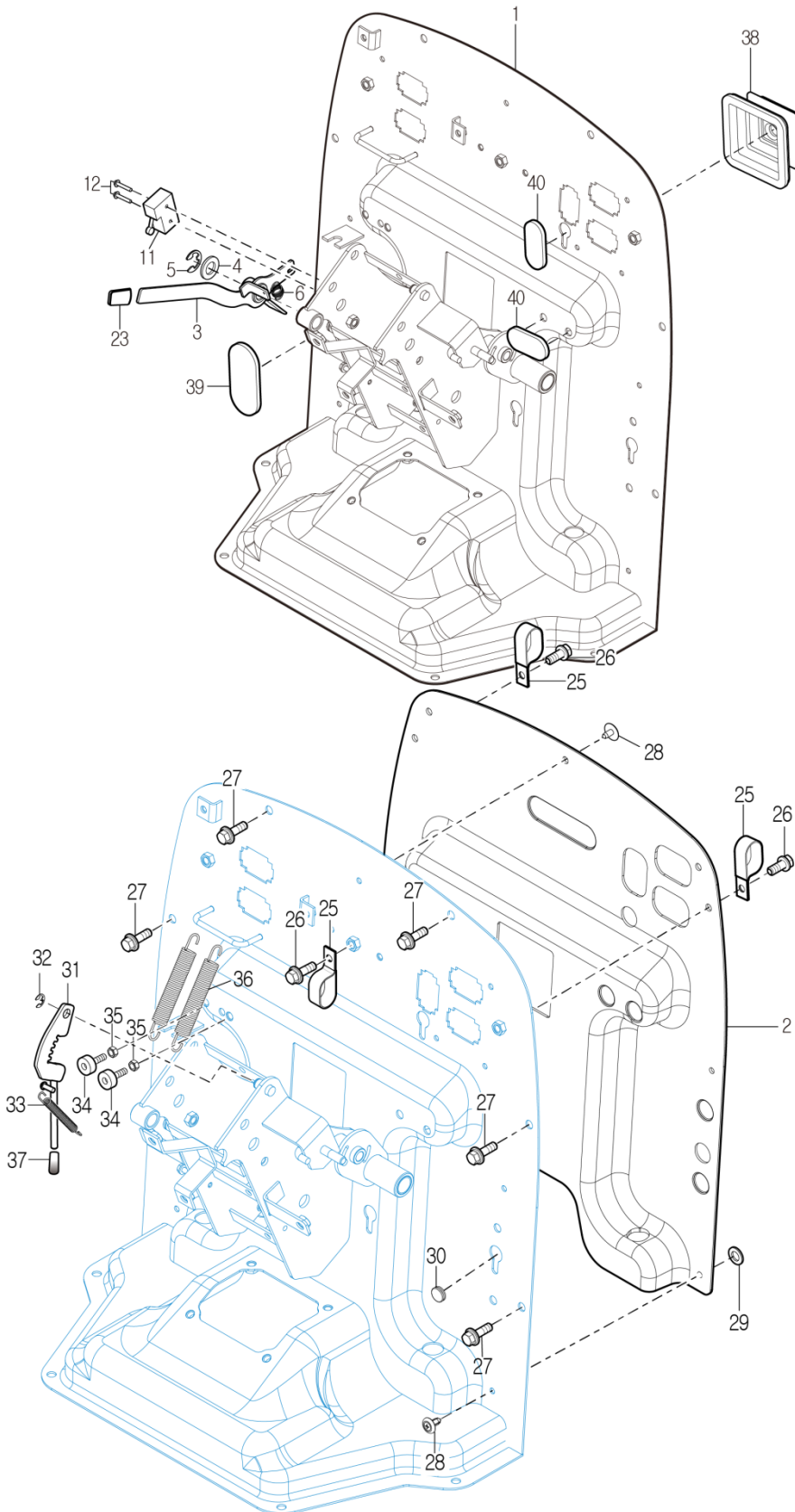
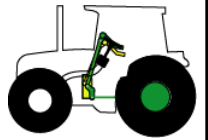
CLUTCH PEDAL

RK55H / RK55HC

P1

YEAR

2017



NOTE

FIG 303

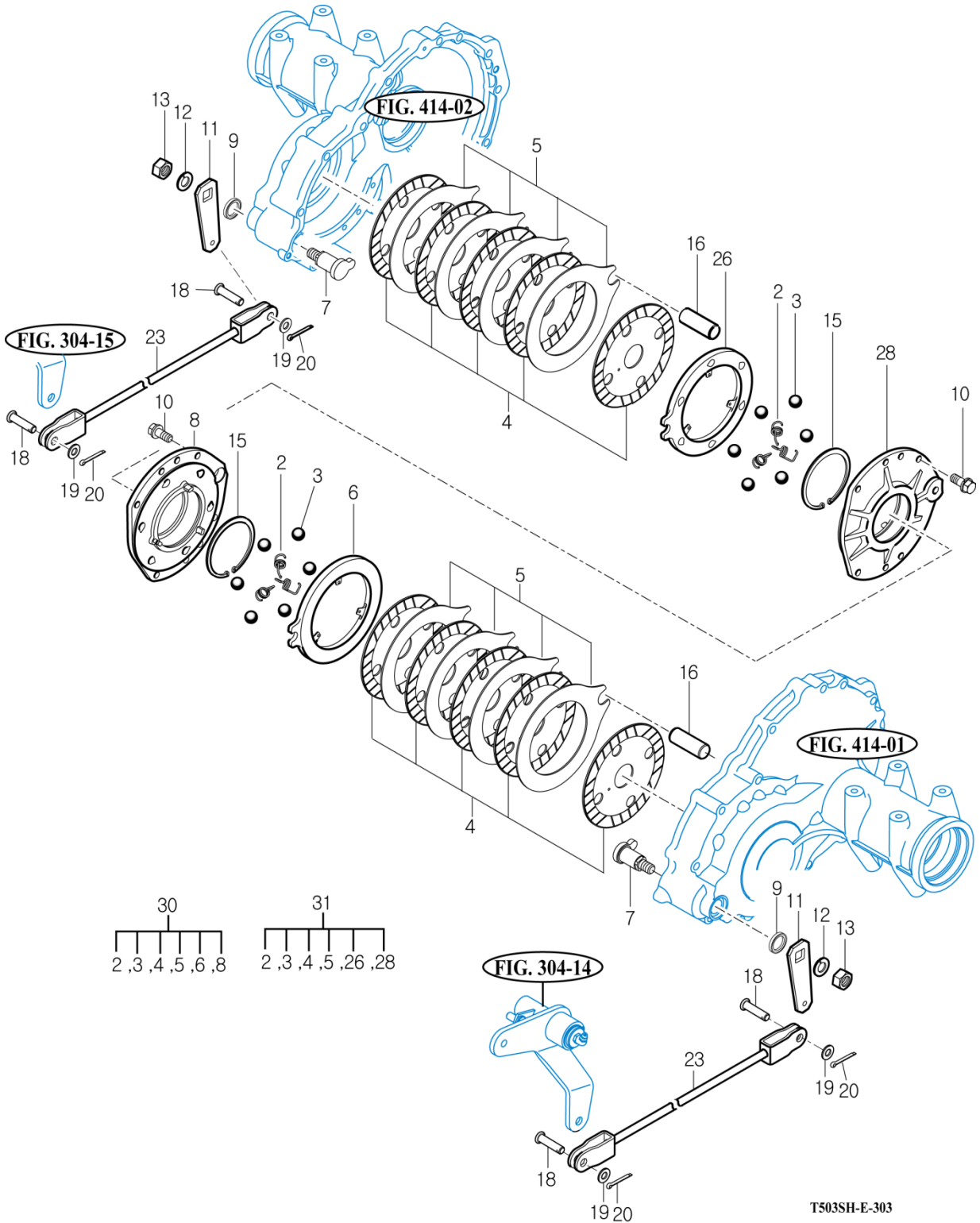
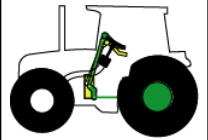
BRAKE

RK55H / RK55HC

P1

YEAR

2017



T503SH-E-303

NOTE

FIG 304

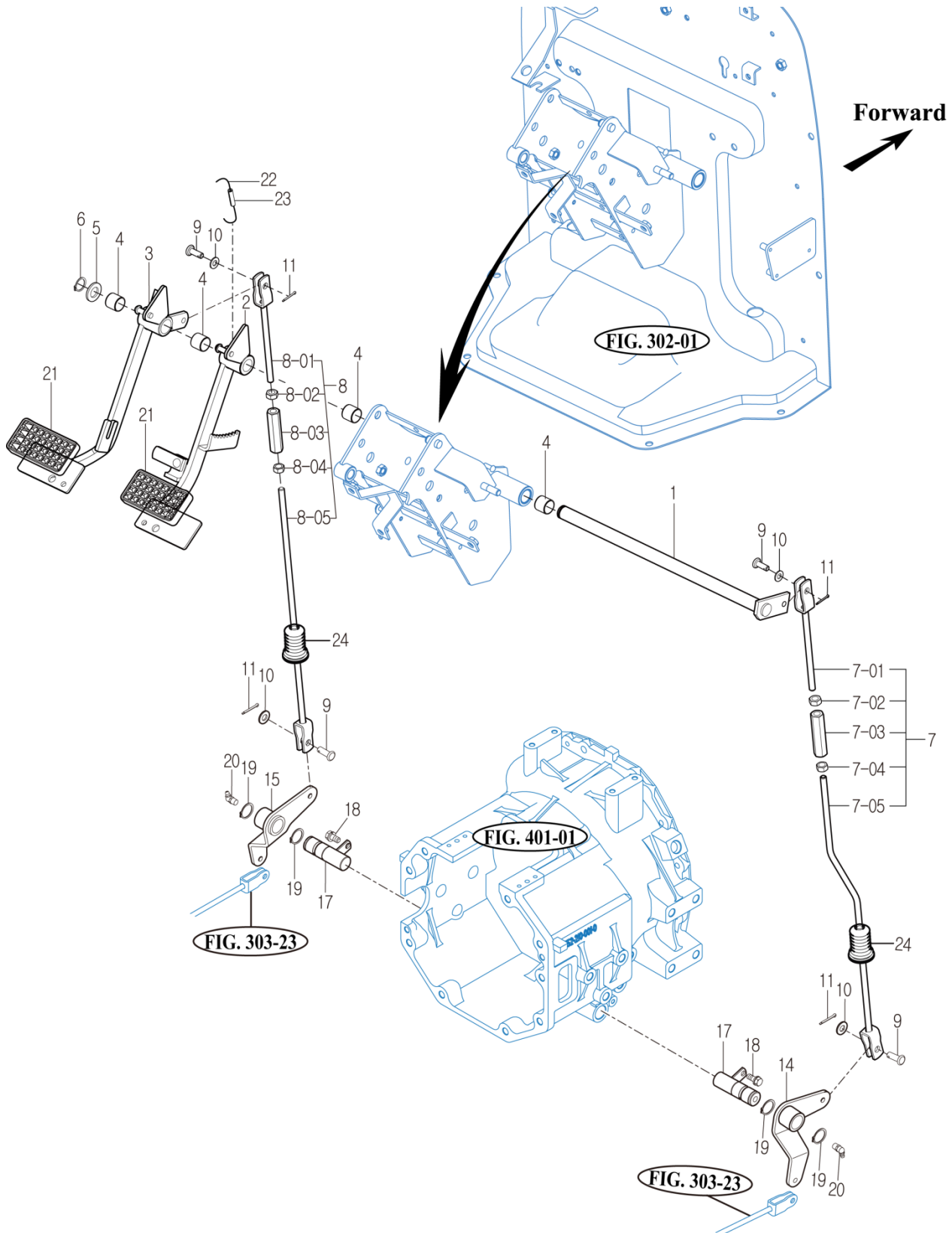
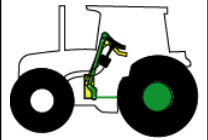
BRAKE PEDAL & LINK

RK55H / RK55HC

P1

YEAR

2017



NOTE

FIG 305

FRONT WHEEL

RK55H / RK55HC

P1

YEAR

2017

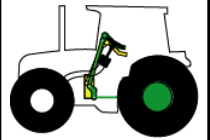
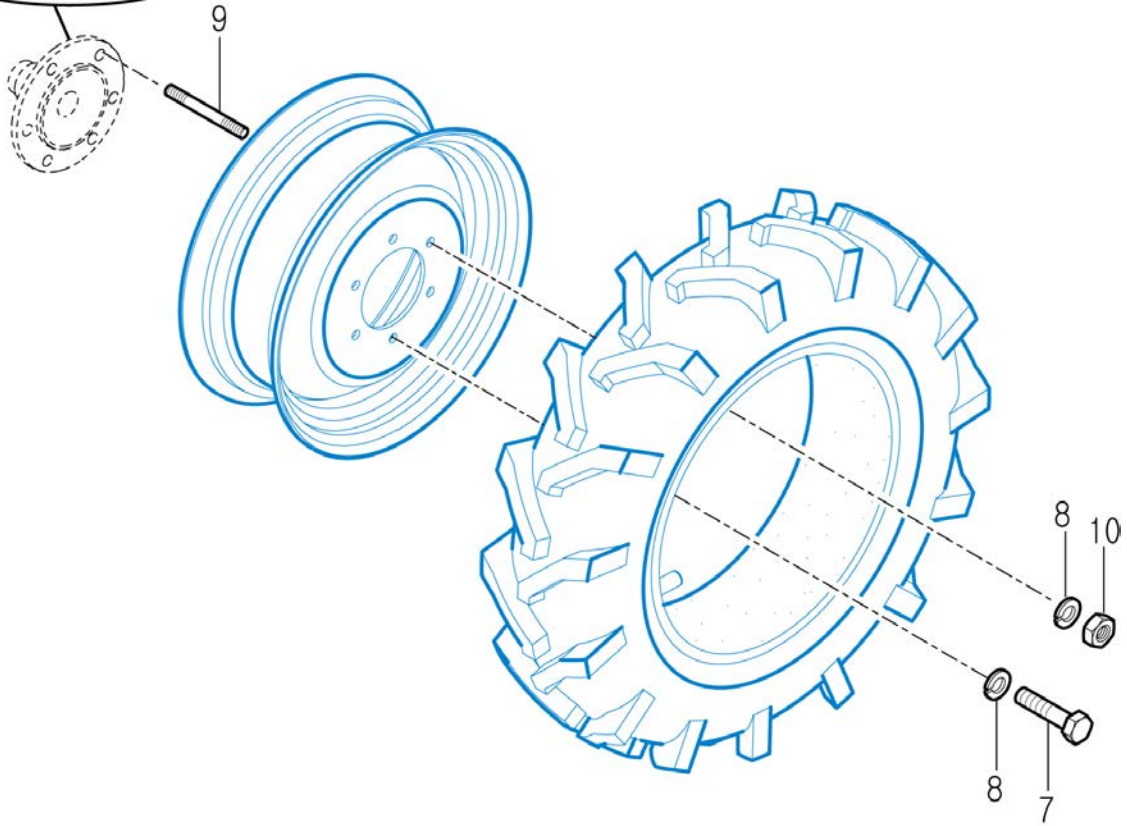


FIG. 507-034



T553-E-305B

NOTE

FIG 306

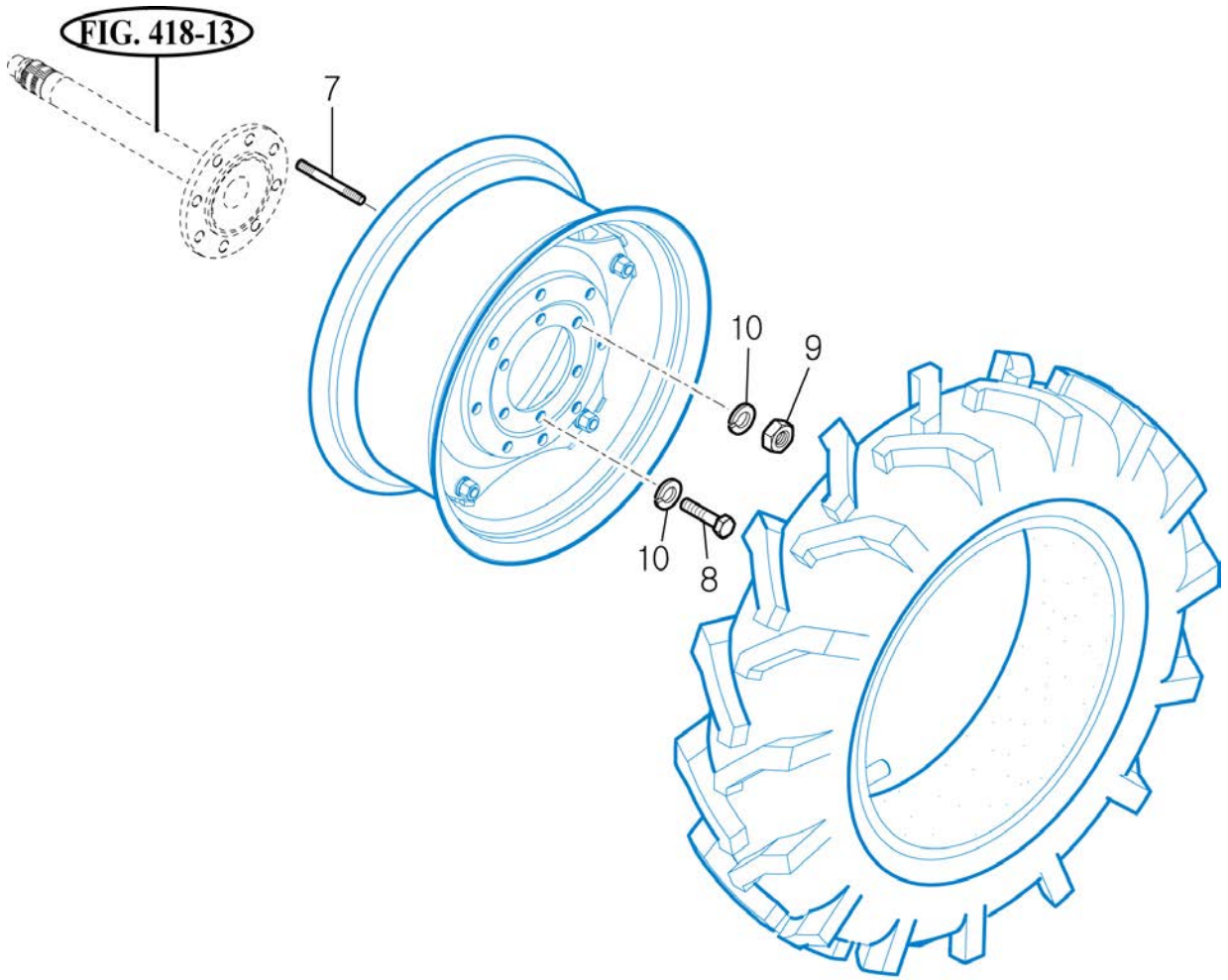
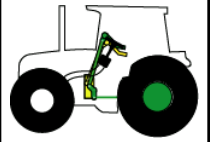
REAR WHEEL

RK55H / RK55HC

P1

YEAR

2017



T553-E-306A

NOTE

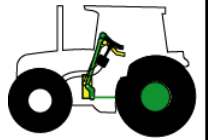
FIG 307

POWER STEERING WHEEL

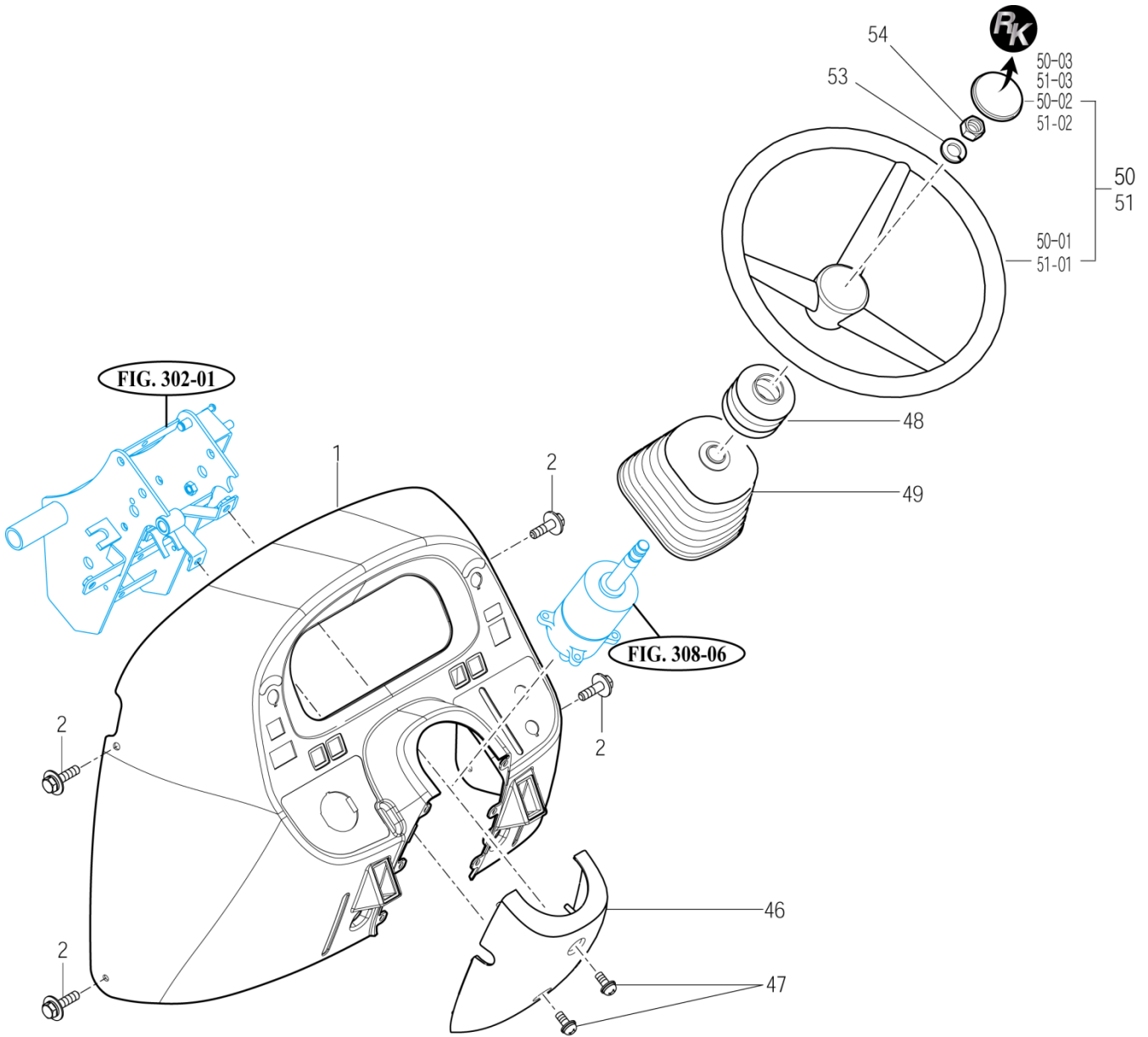
P1

YEAR

2017



RK55H / RK55HC



1854054E-307

NOTE

FIG 309

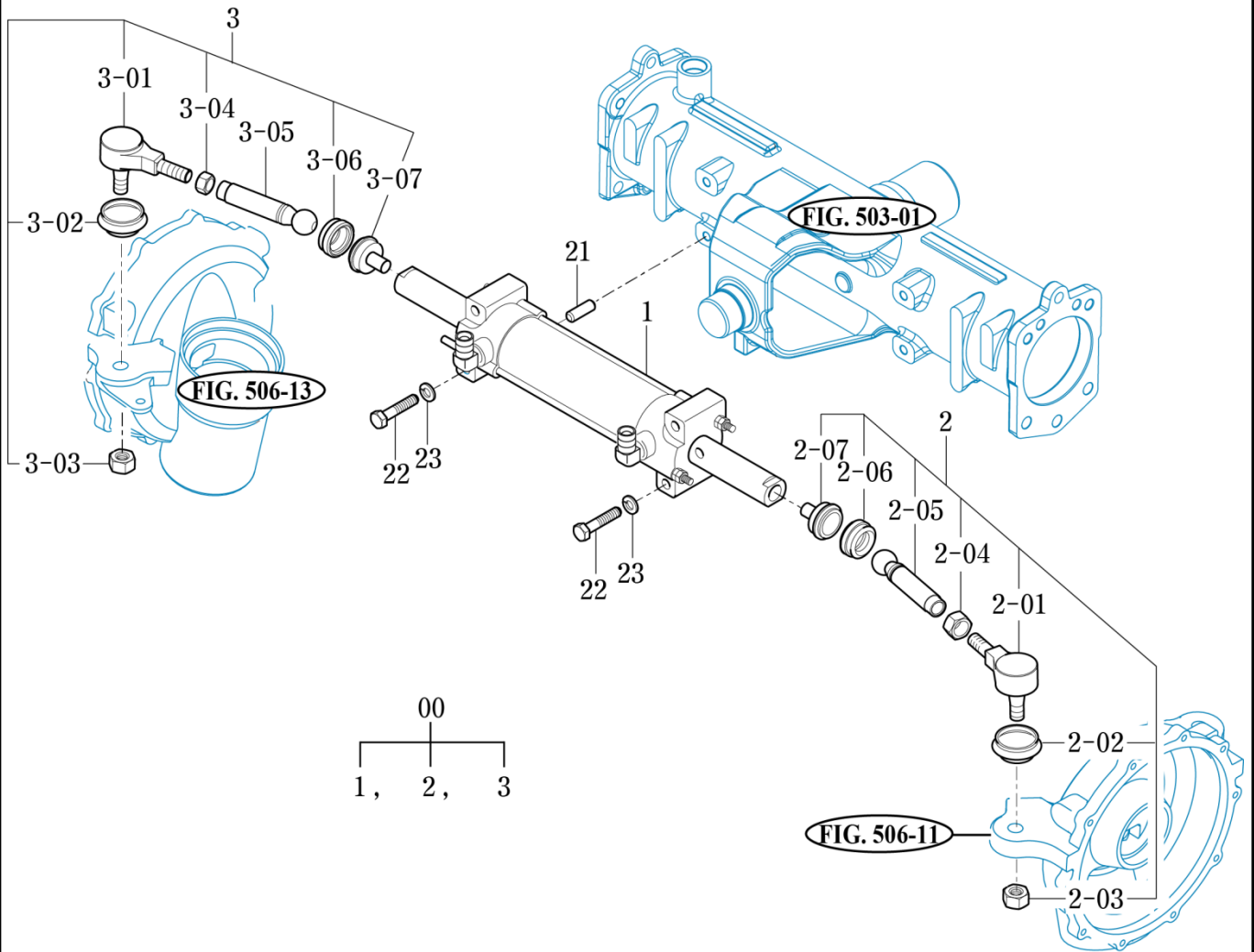
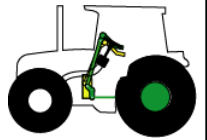
POWER STEERING CYLINDER

RK55H / RK55HC

P1

YEAR

2017



T554NH/T554SD/T454NH.E.309

NOTE

FIG 401

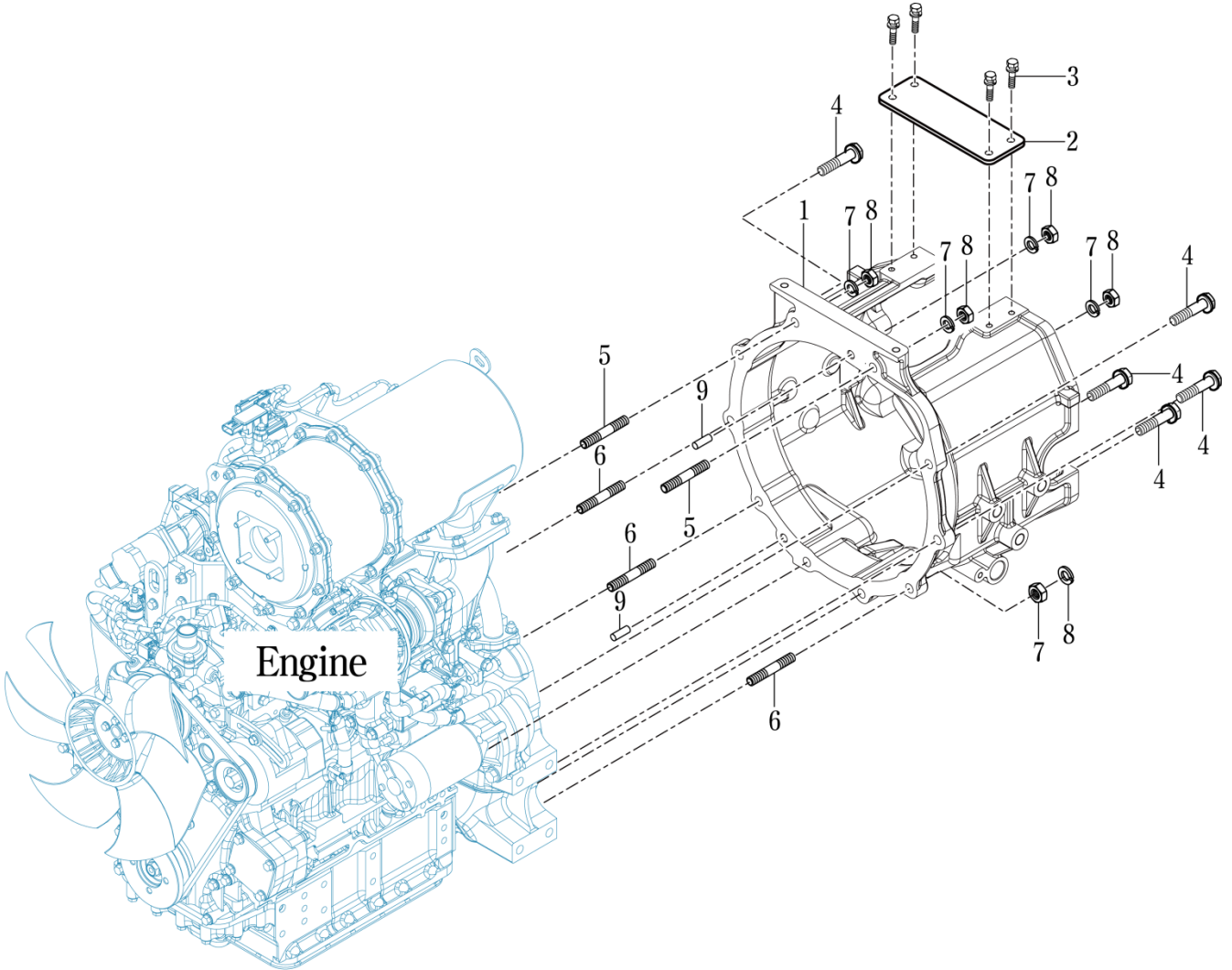
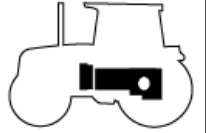
RK55H / RKHC

TRANSMISSION FRONT CASE

P1

YEAR

2017



TSSAUFSSSHU48N1E-01

NOTE

FIG 402

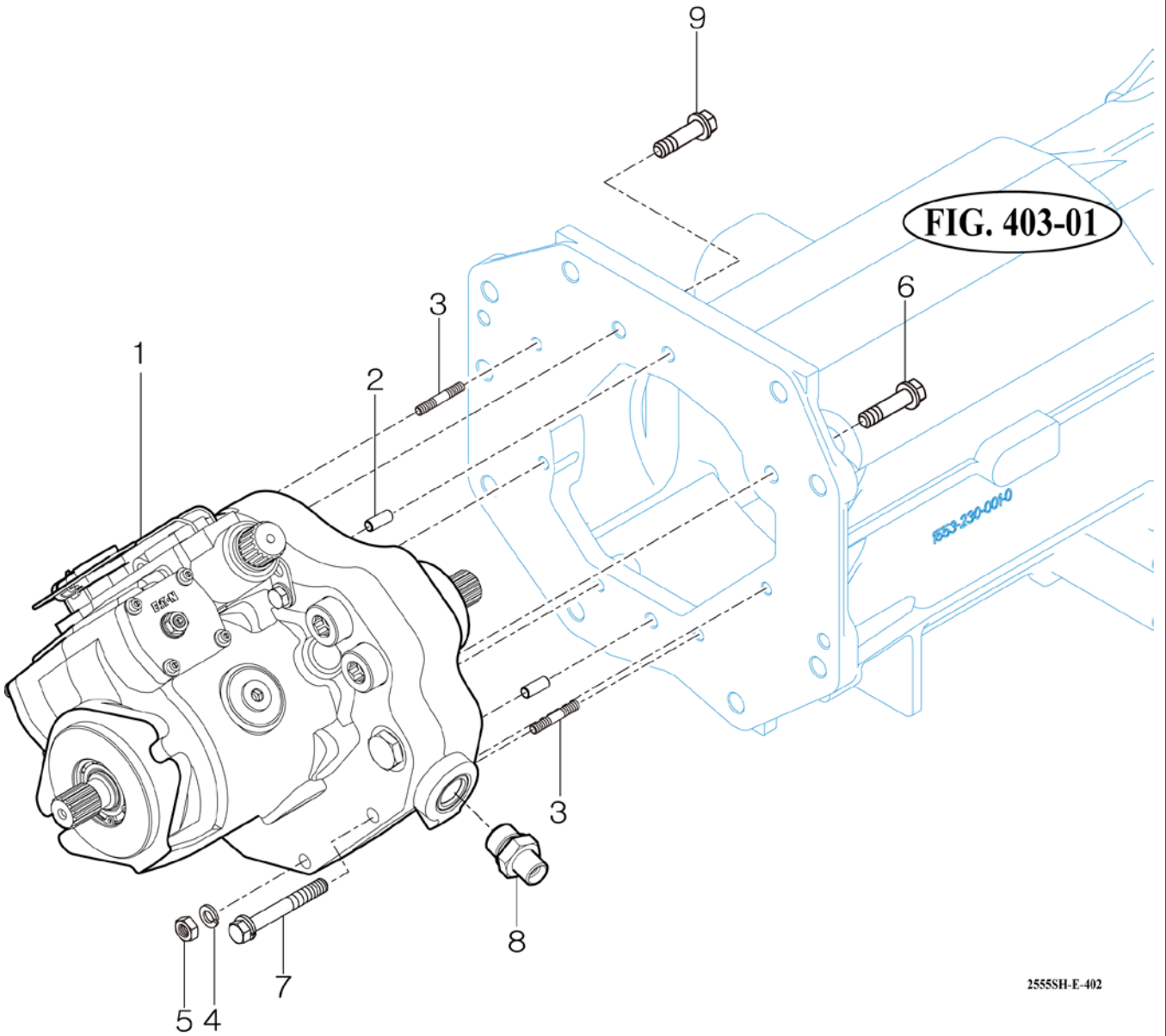
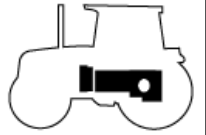
RK55H / RKHC

HST

P1

YEAR

2017



2555SH-E-402

NOTE

FIG 403

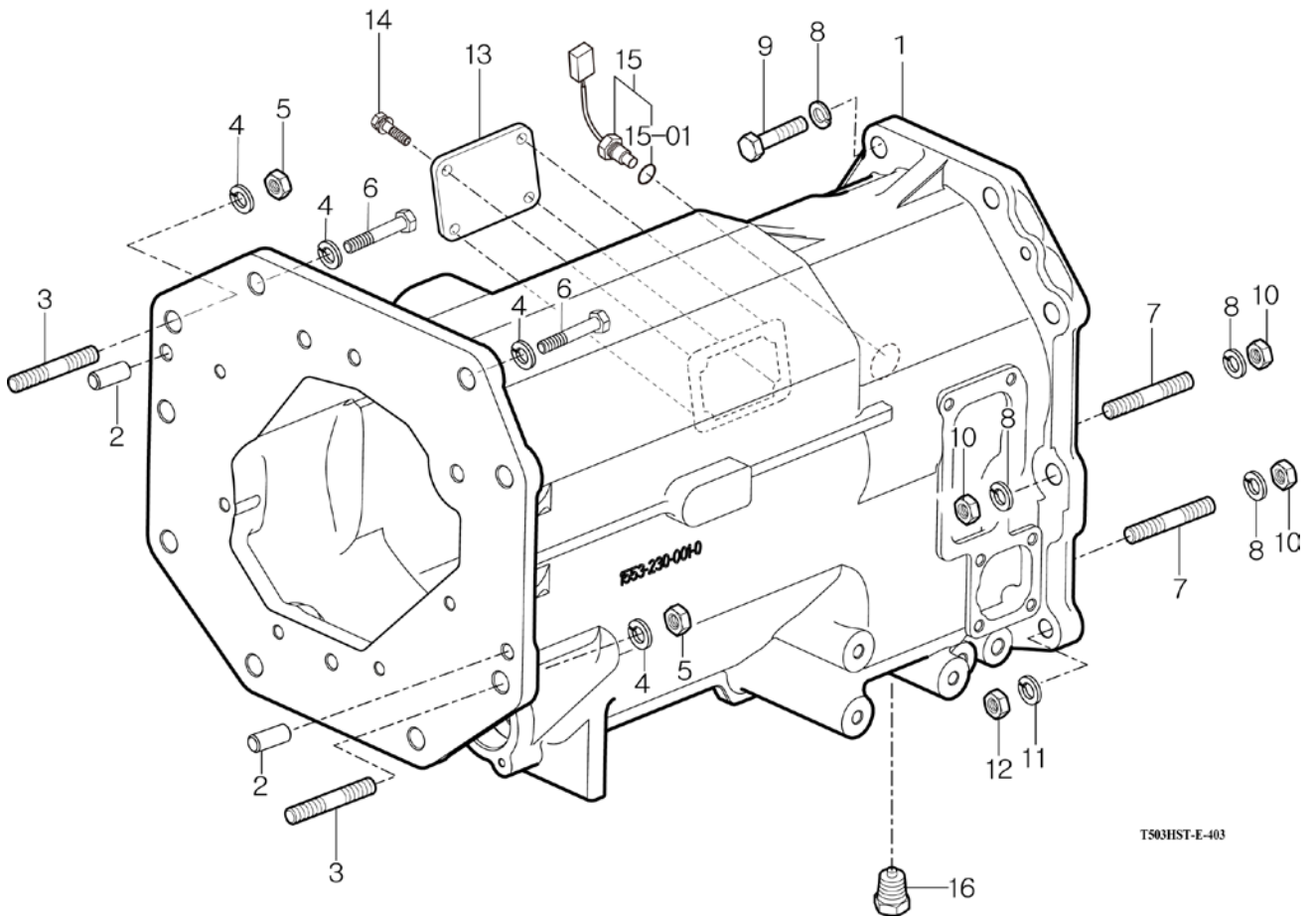
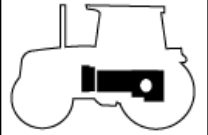
RK55H / RKHC

MID TRANSMISSION CASE

P1

YEAR

2017



T503HST-E-403

NOTE

FIG 404

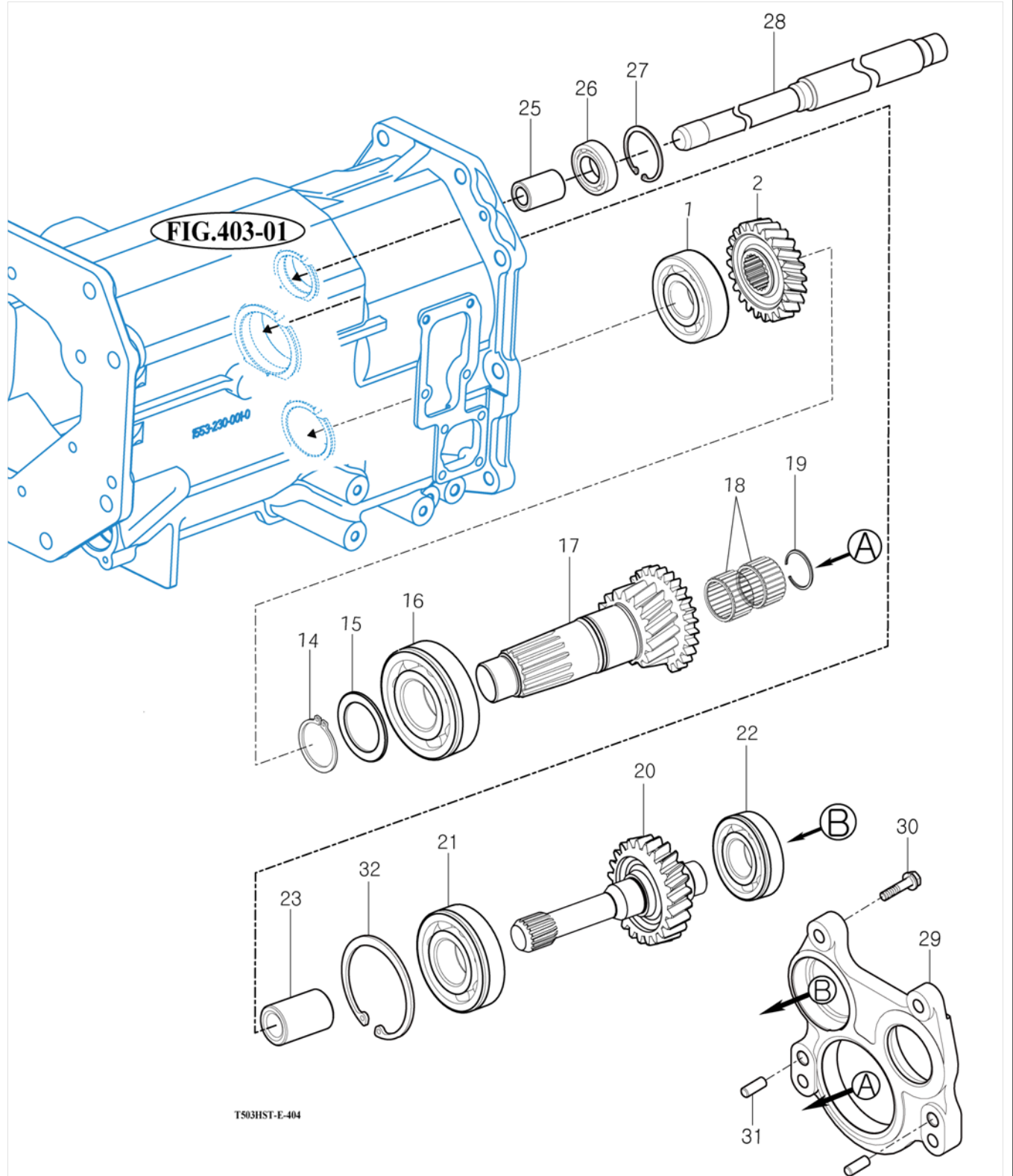
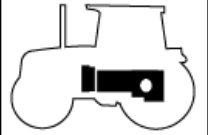
RK55H / RKHC

TRANSFER GEAR SET

P1

YEAR

2017



NOTE

FIG 405

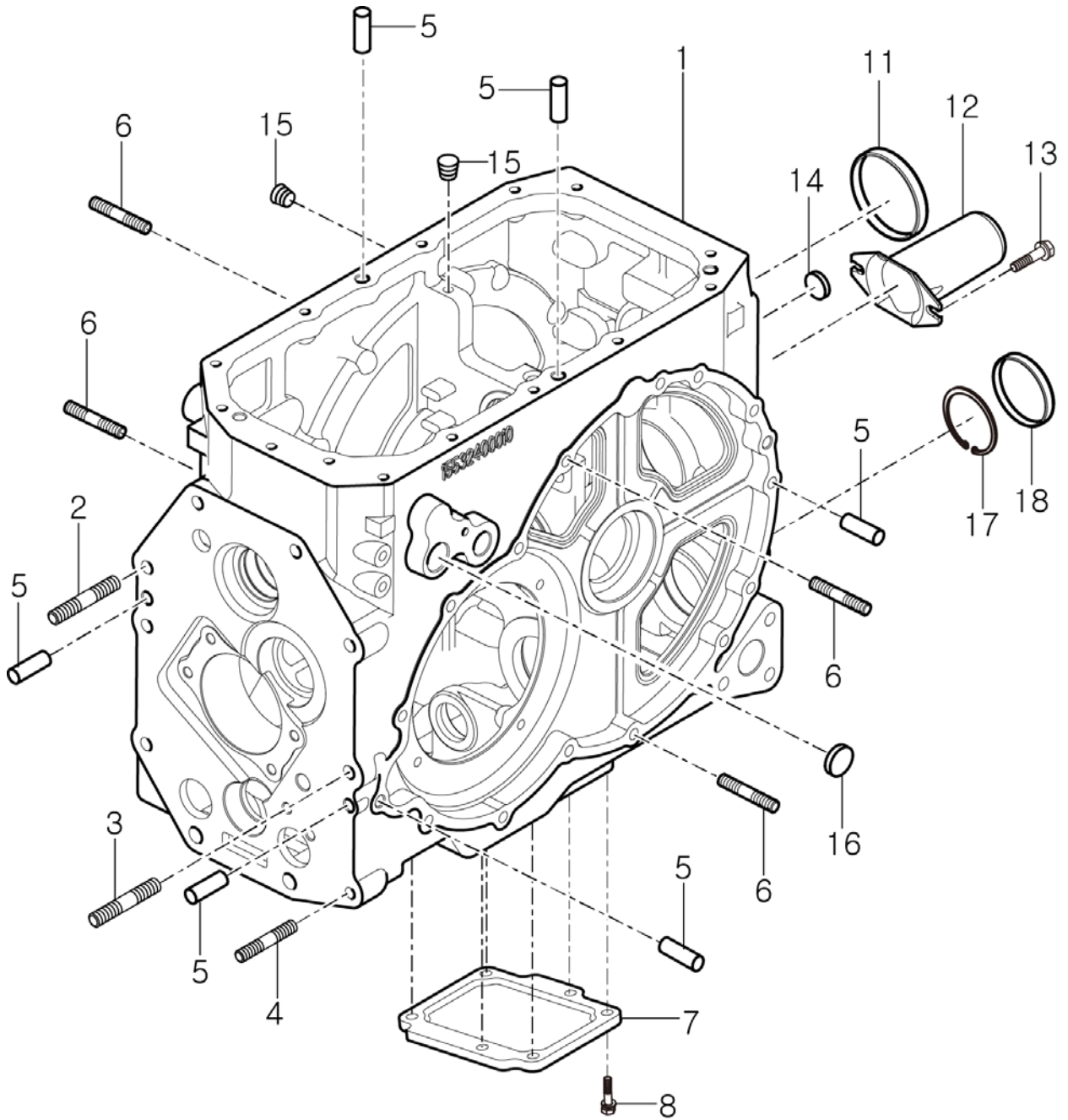
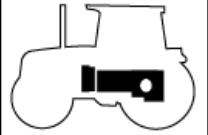
TRANSMISSION REAR CASE

RK55H/RKHC

P1

YEAR

2017



T503HST-E-405

NOTE

FIG 406

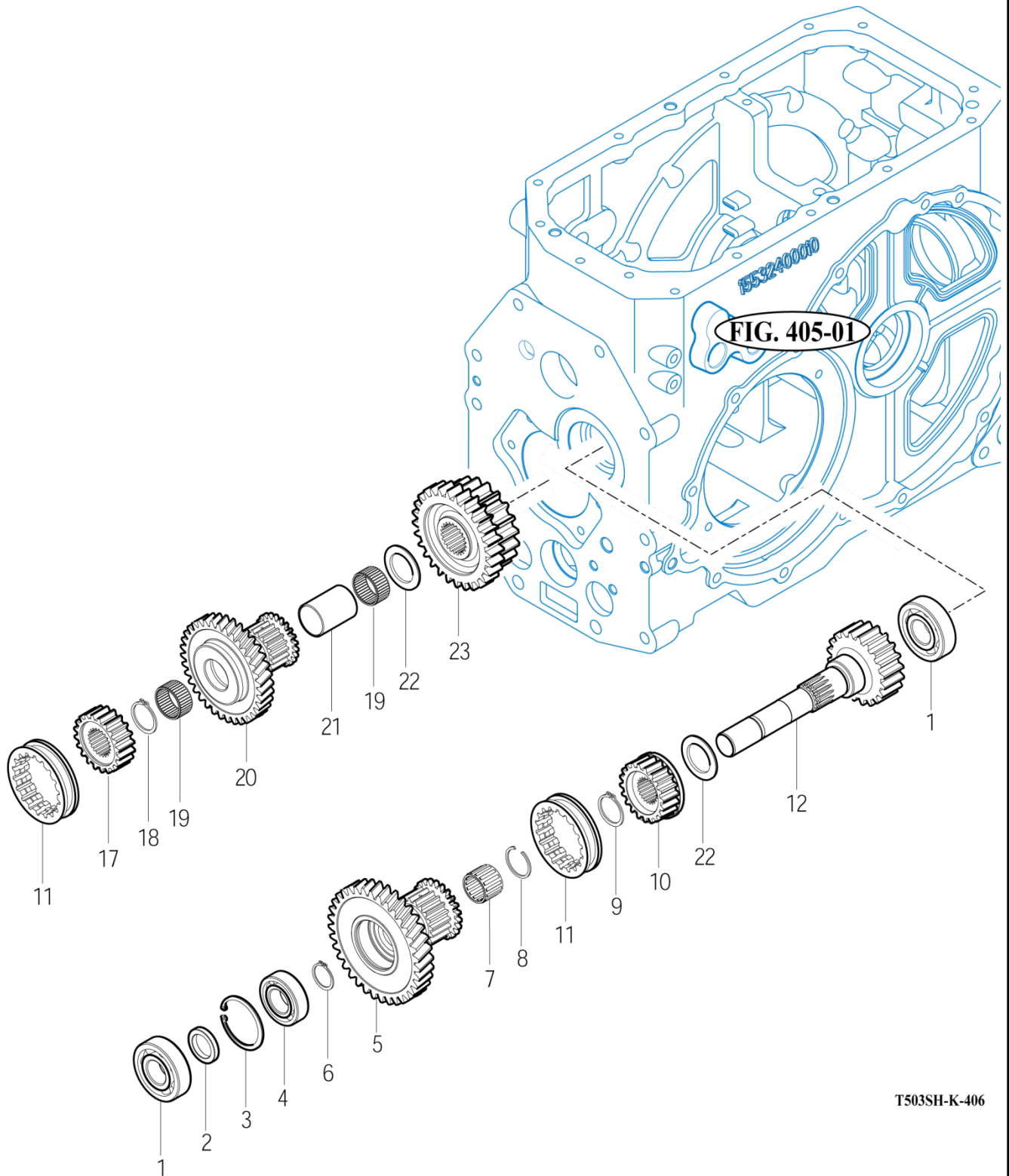
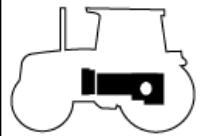
RK55H / RKHC

SUB CHANGE GEARS

P1

YEAR

2017



T503SH-K-406

NOTE

FIG 407

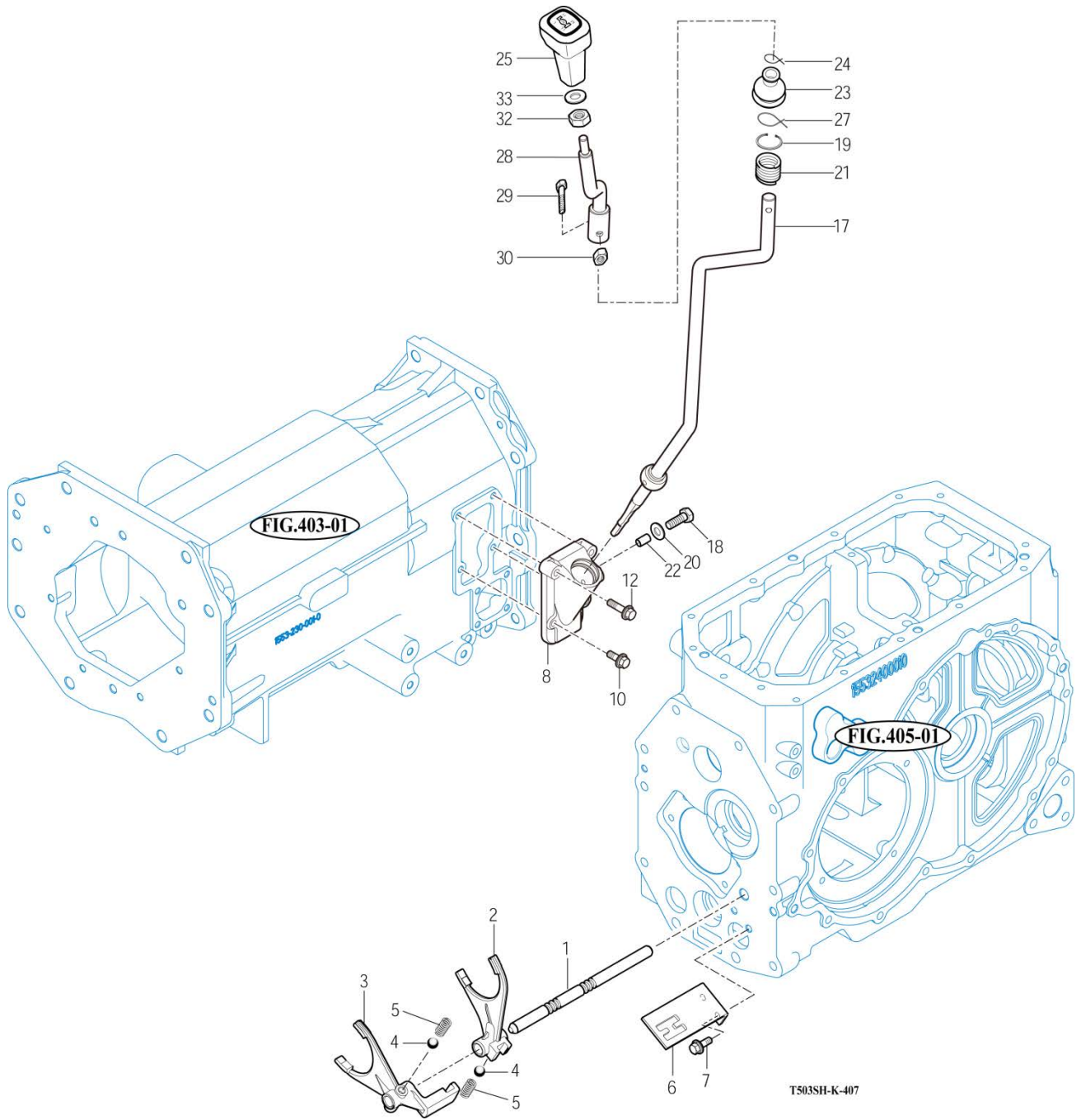
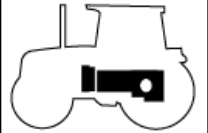
RK55H / RKHC

SUB CHANGE SHIFTER

P1

YEAR

2017



T503SH-K-407

NOTE

FIG 408

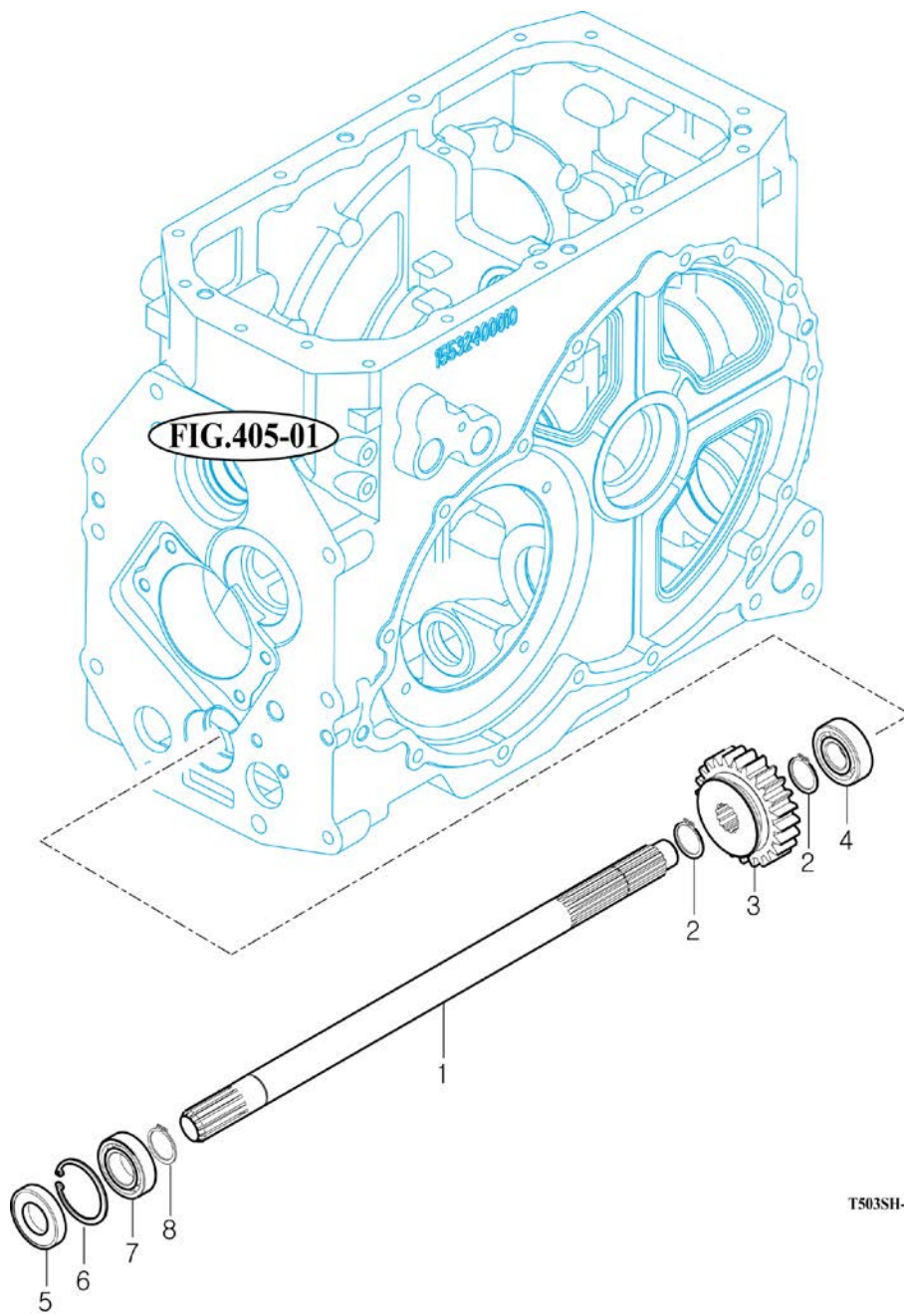
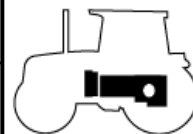
DRIVE GEARS

RK55H / RKHC

P1

YEAR

2017



T503SH-k-408

NOTE

FIG 409

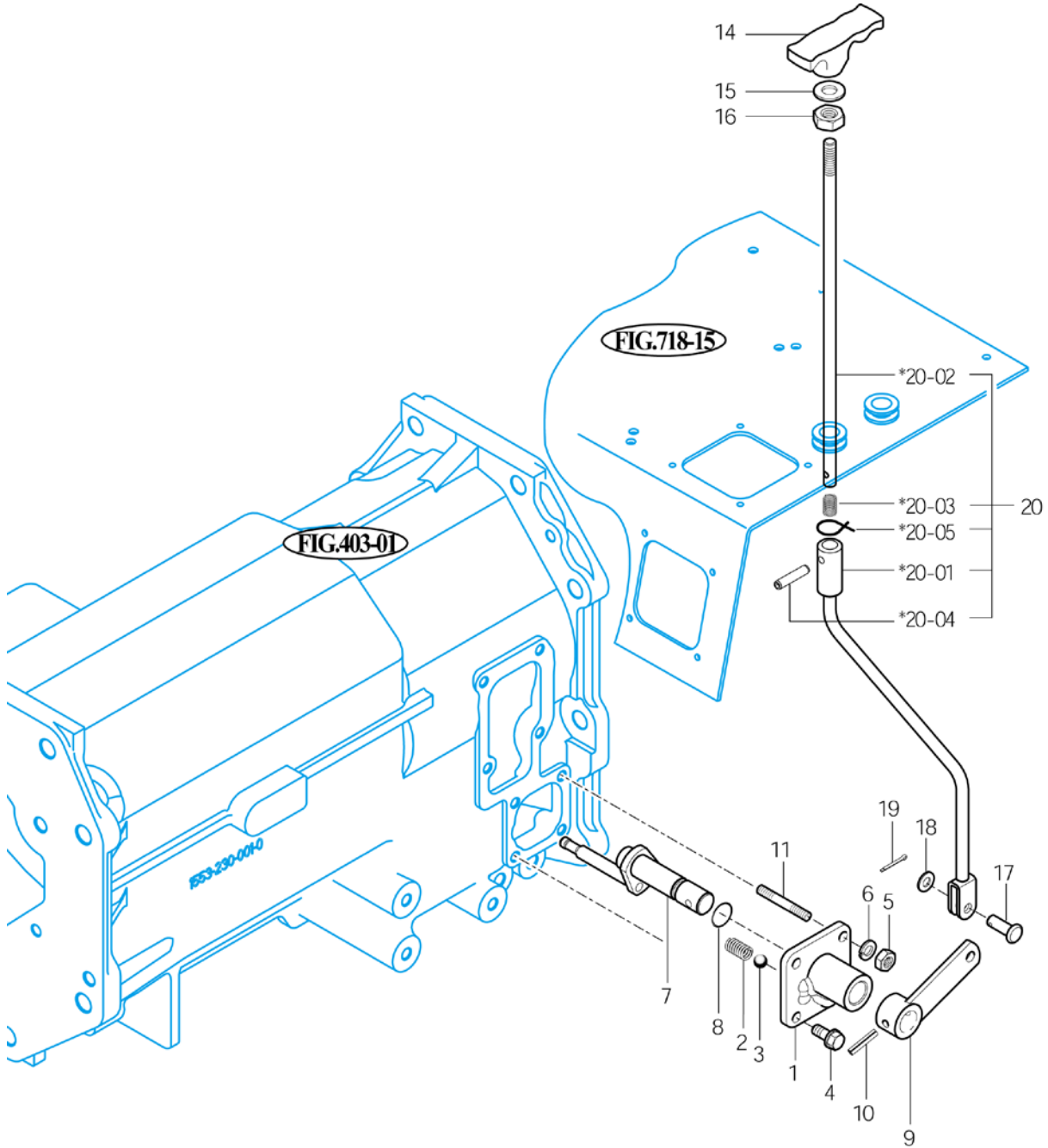
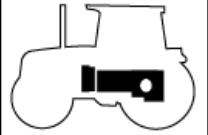
RK55H / RKHC

4WD CHANGE LEVER

P1

YEAR

2017



*NOT SERVICED SEPARATELY

T503SH-E-409

NOTE

FIG 410

RK55H / RKHC

P.T.O DRIVE SHAFT

P1

YEAR

2017

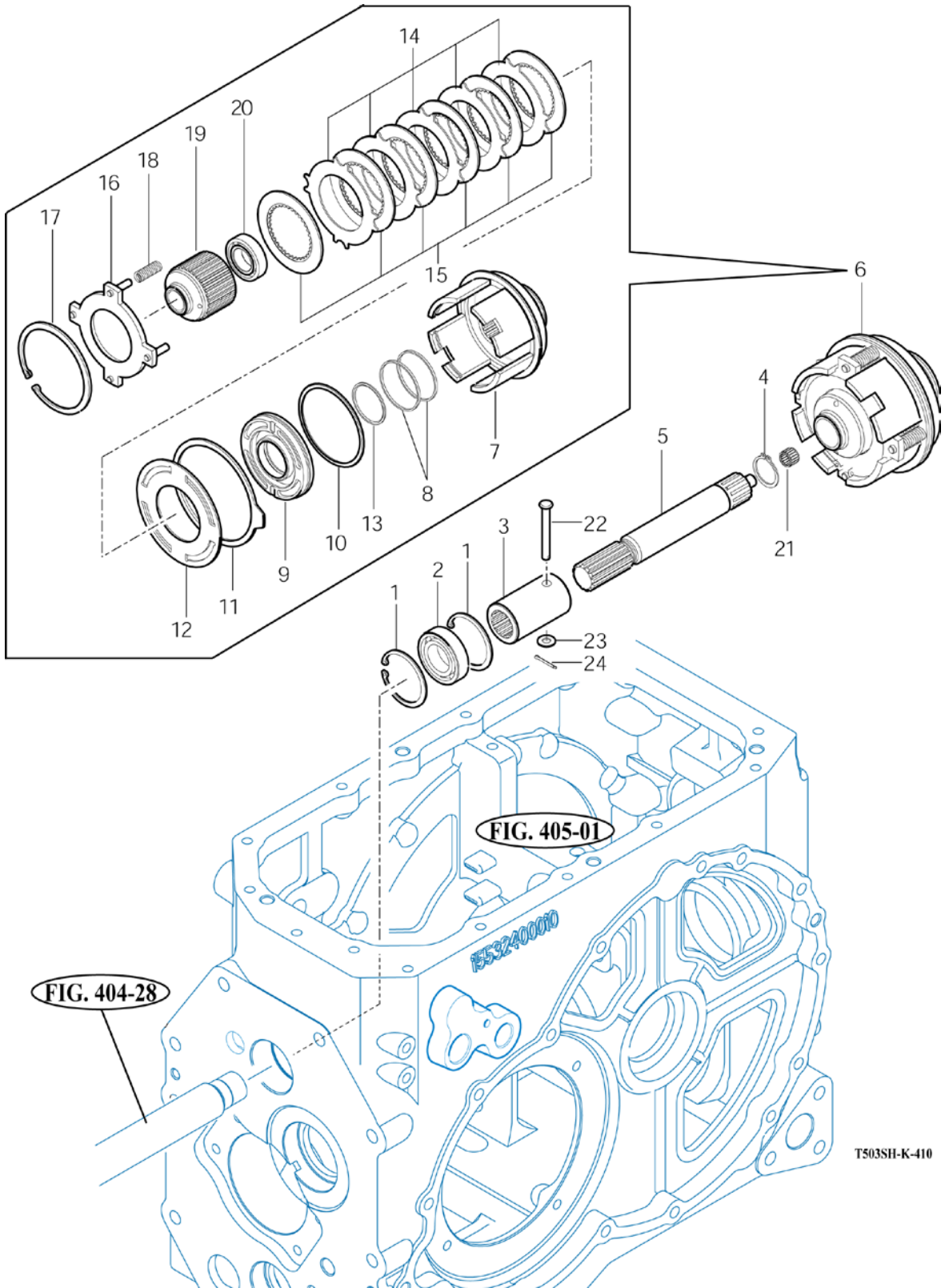
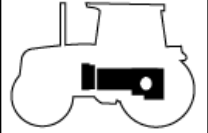


FIG. 404-28

FIG. 405-01

T503SH-K-410

NOTE

FIG 411

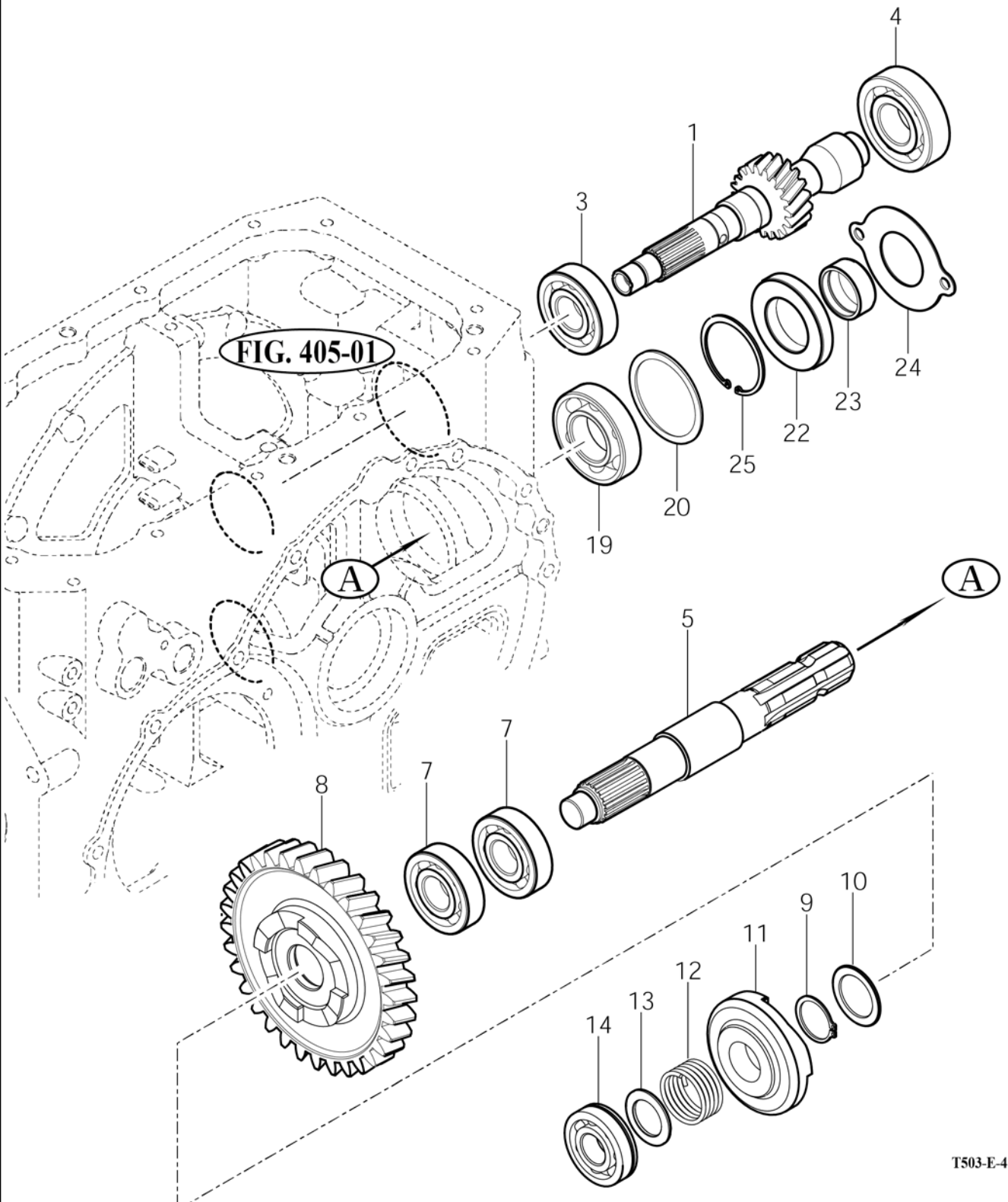
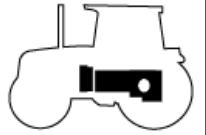
RK55H / RKHC

P.T.O CHANGE GEARS

P1

YEAR

2017



T503-E-411A

NOTE

FIG 412

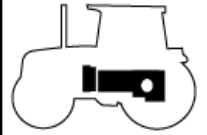
REAR DIFFERENTIAL GEARS

RK55H / RKHC

P1

YEAR

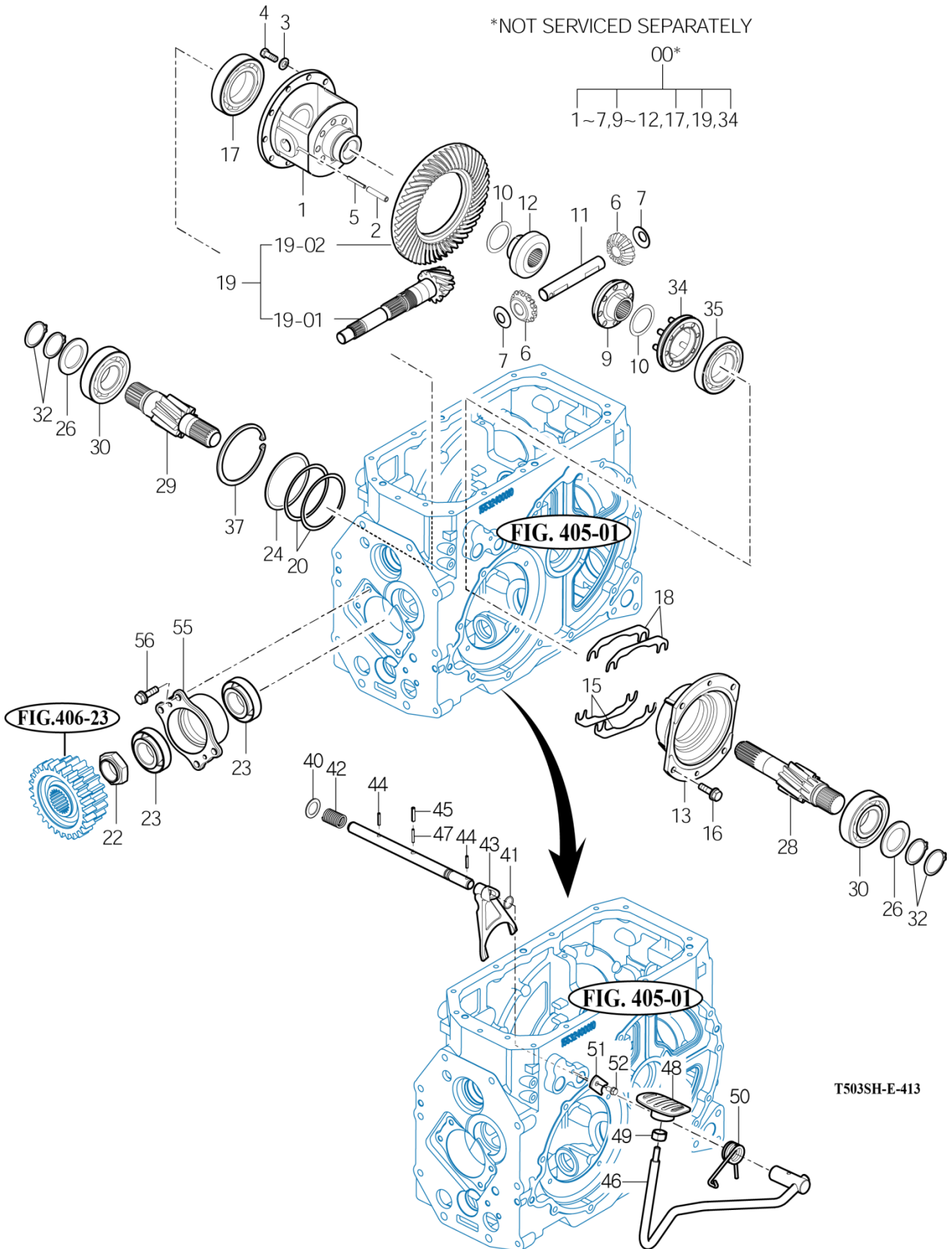
2017



*NOT SERVICED SEPARATELY

00*

1~7,9~12,17,19,34



T503SH-E-413

NOTE

FIG 413

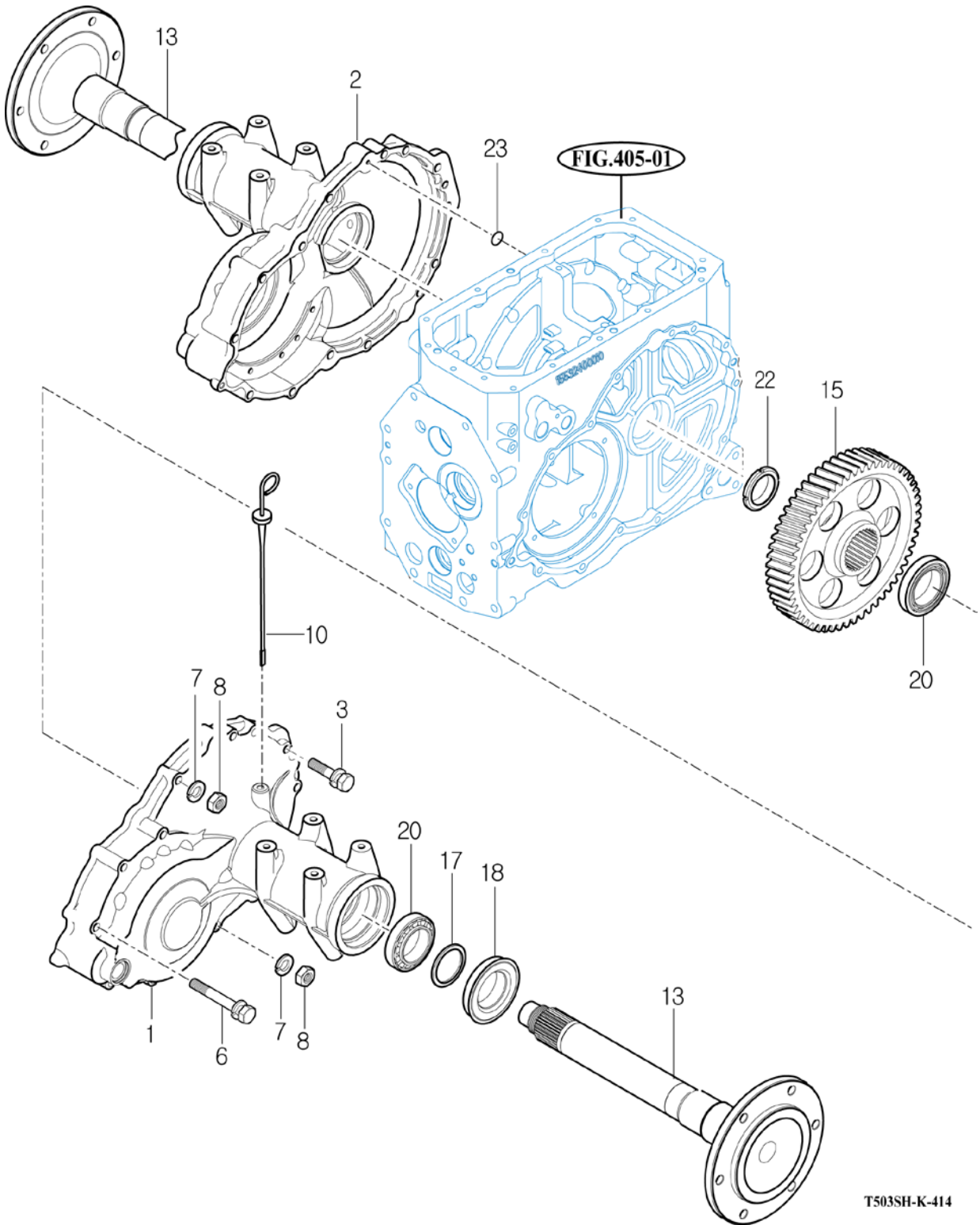
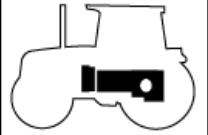
RK55H / RKHC

REAR AXLE HOUSING

P1

YEAR

2017



T503SH-K-414

NOTE

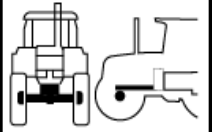
FIG 501

FRONT AXLE SUPPORT

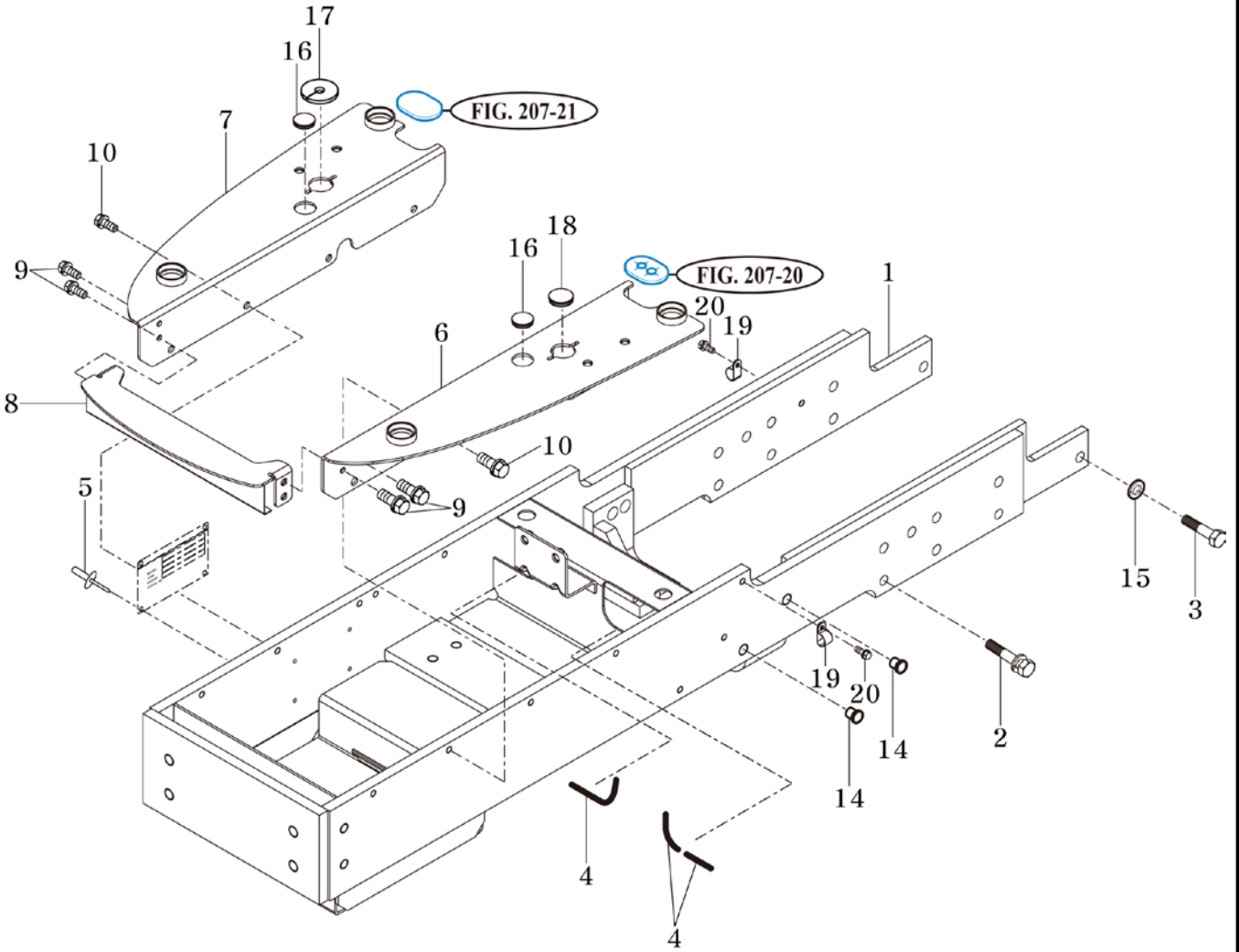
P1

YEAR

2017



RK55H / RK55HC



NOTE

FIG 502

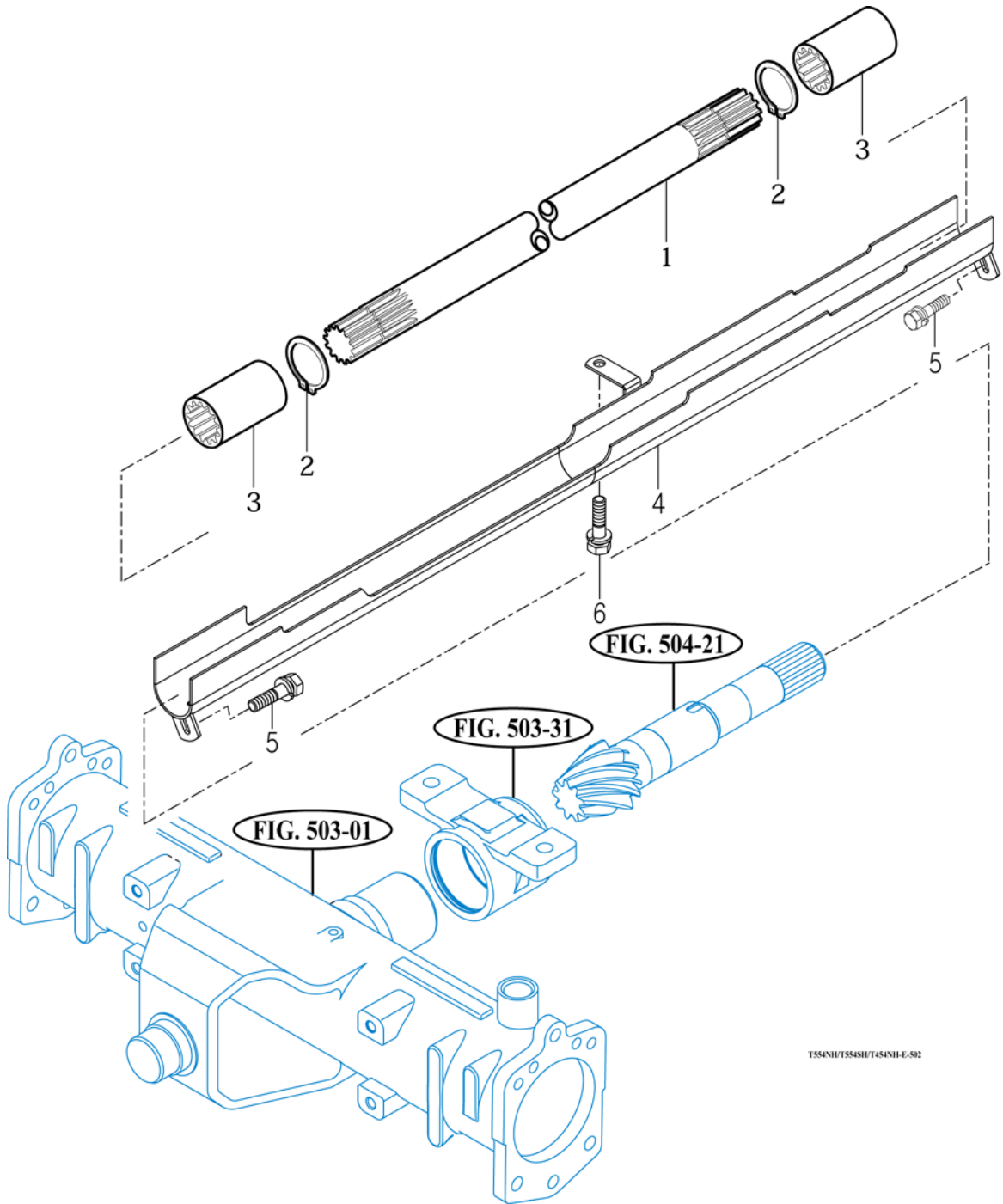
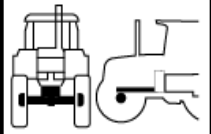
RK55H / RK55HC

FRONT DRIVE SHAFT

P1

YEAR

2017



T554NUT554SIUT454NH-E-502

NOTE

FIG 503

FRONT AXLE HOUSING

RK55H / RK55HC

P1

YEAR

2017

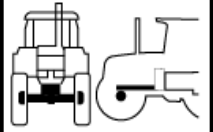
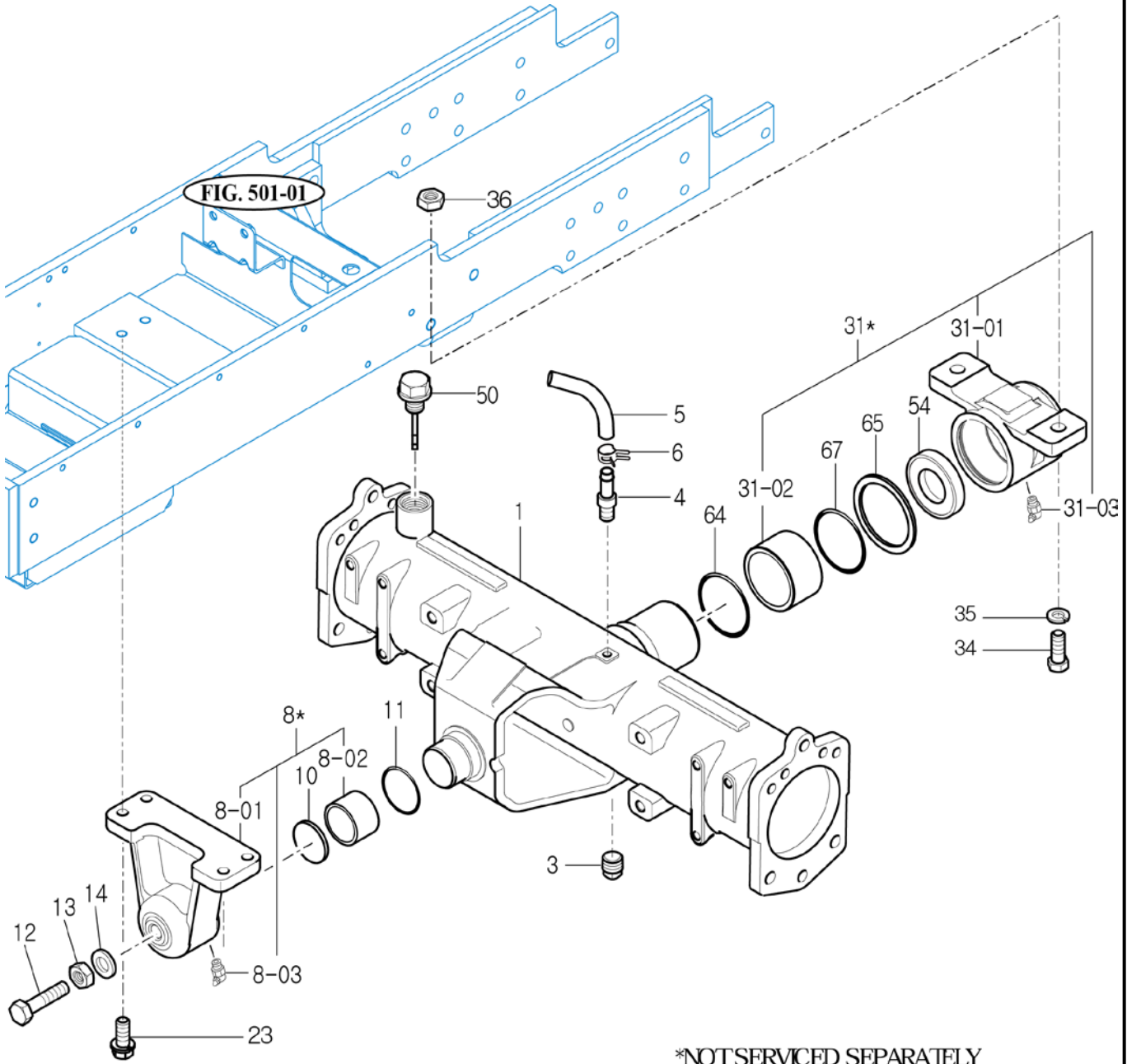


FIG. 501-01



*NOT SERVICED SEPARATELY

T354454-E-503

NOTE

FIG 504

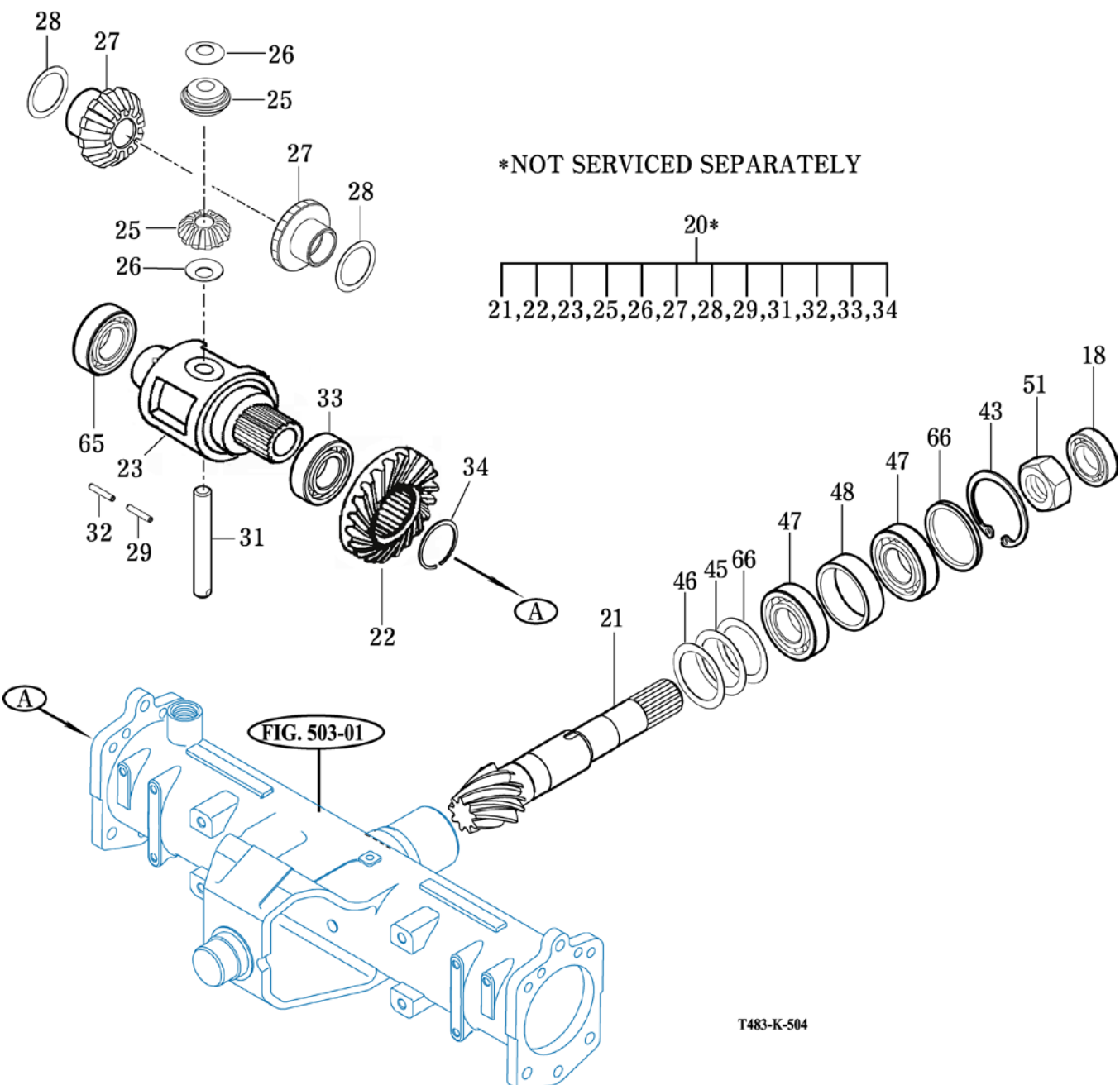
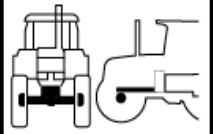
FRONT DIFFERENTIAL GEARS

RK55H / RK55HC

P1

YEAR

2017



NOTE

FIG 505

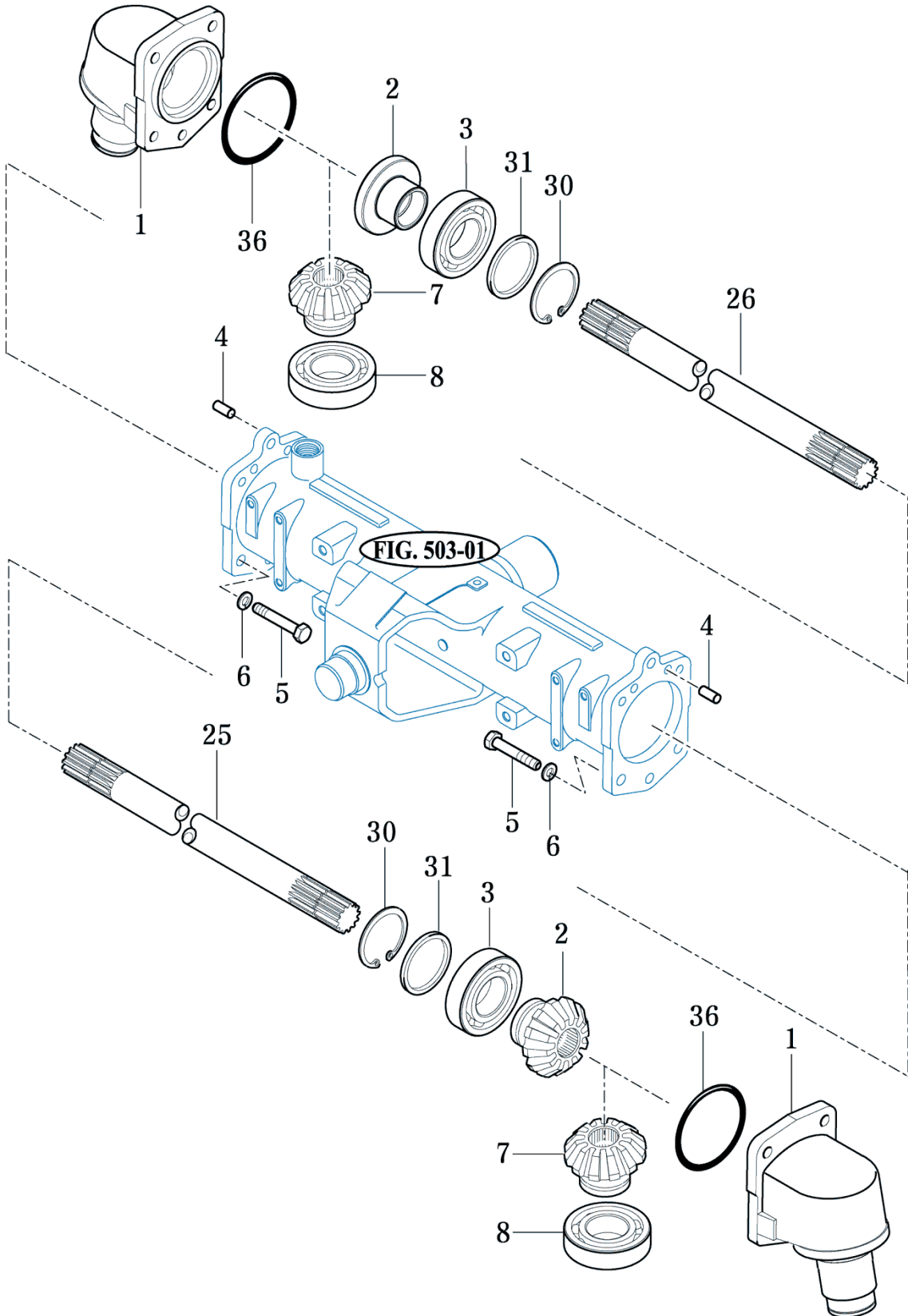
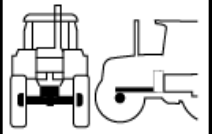
FRONT GEAR CASE (1)

RK55H / RK55HC

P1

YEAR

2017



T483-k-505

NOTE

FIG 506

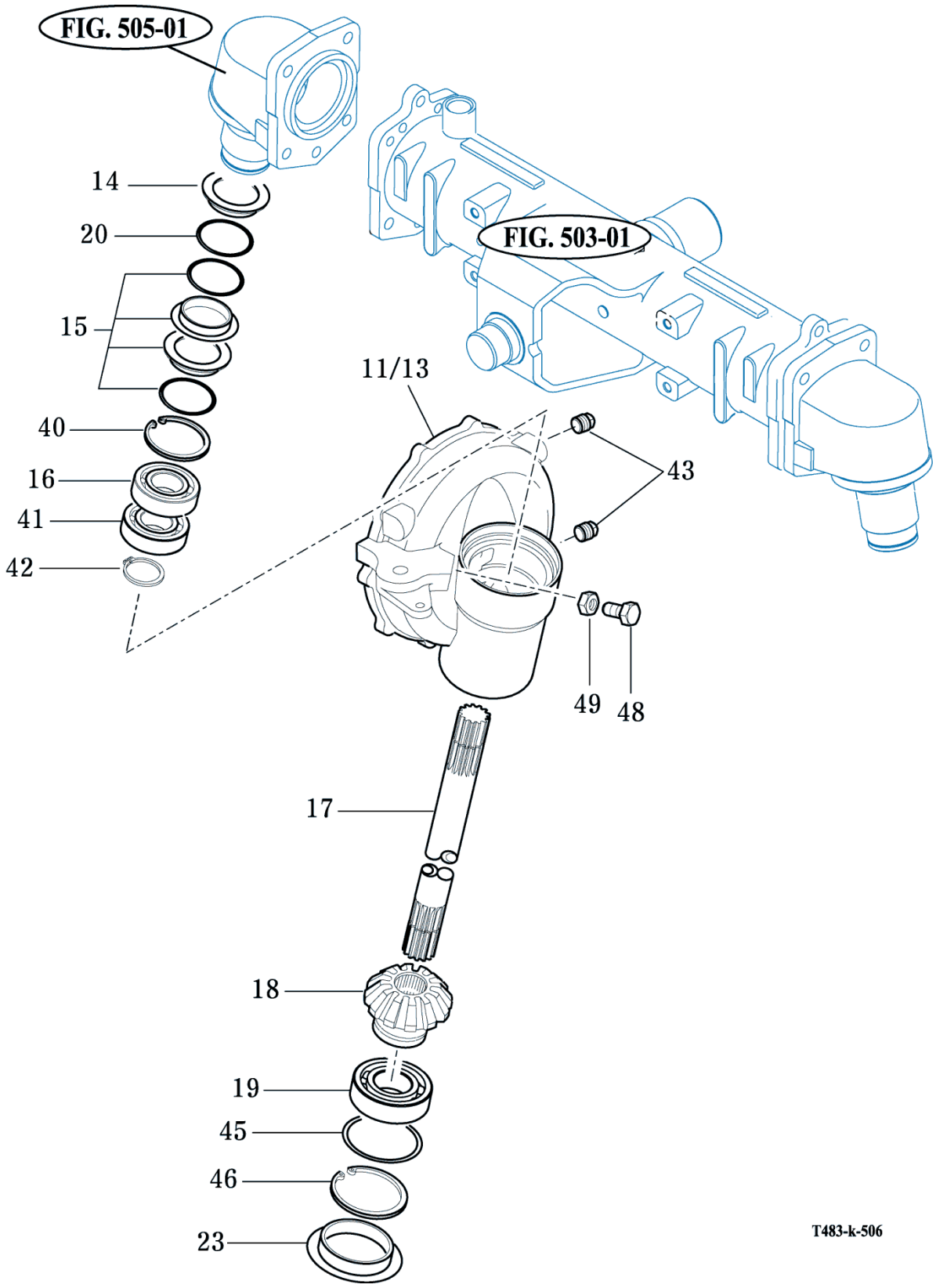
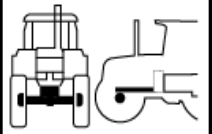
FRONT GEAR CASE (2)

RK55H / RK55HC

P1

YEAR

2017



T483-k-506

NOTE

FIG 507

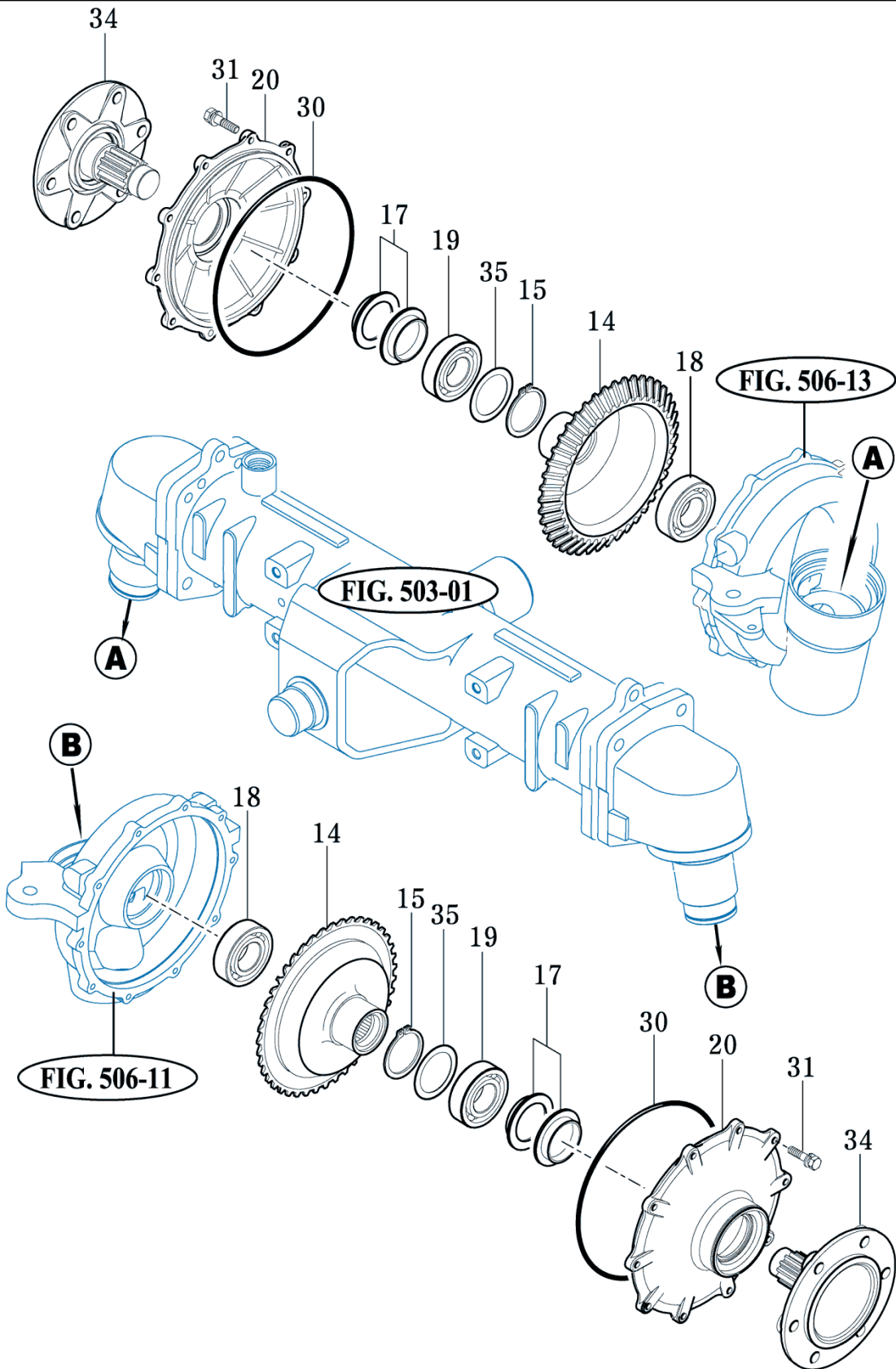
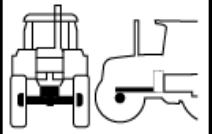
FRONT GEAR CASE (3)

RK55H / RK55HC

P1

YEAR

2017



T483-k-507

NOTE

FIG 601

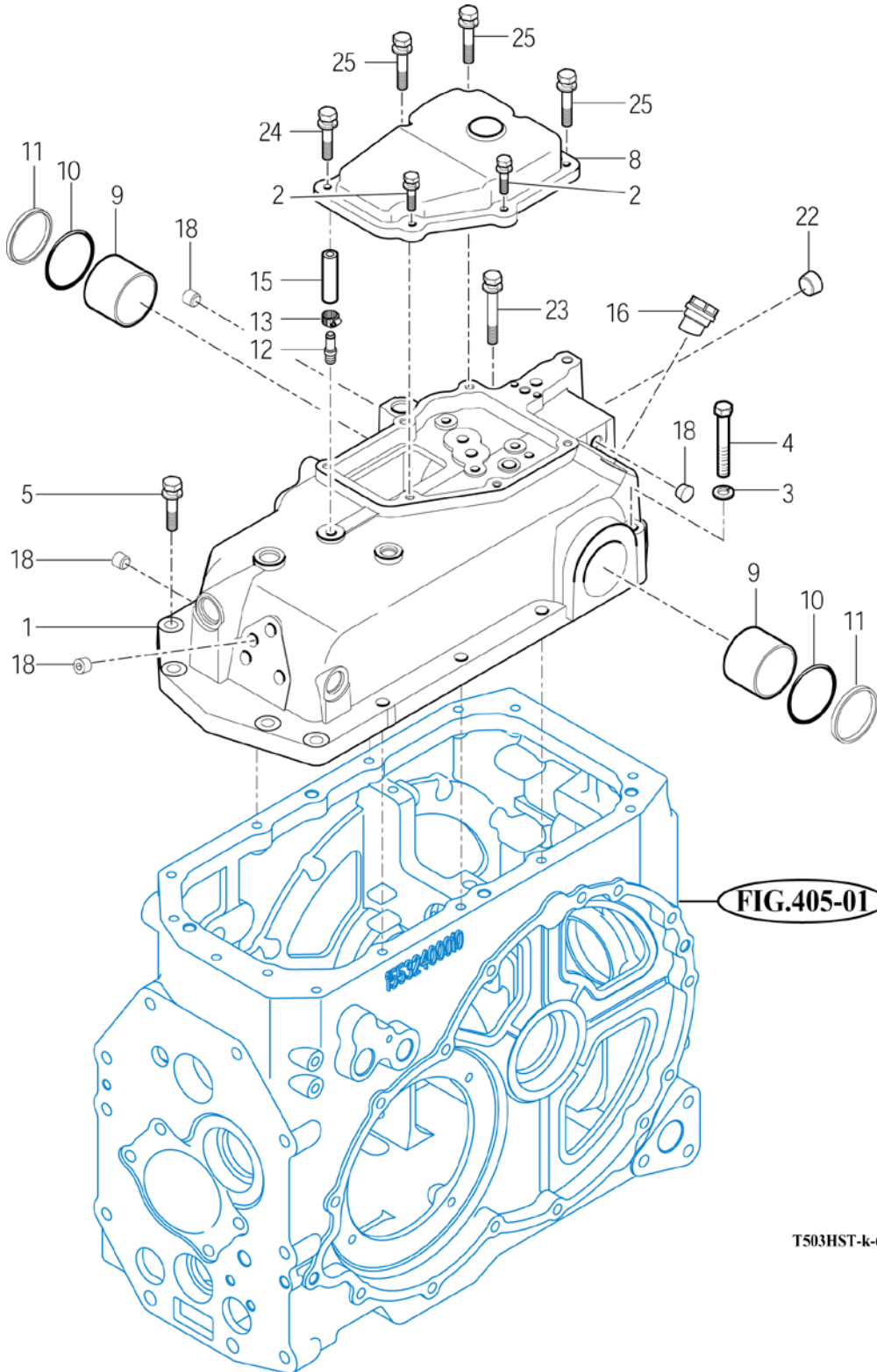
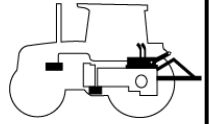
CYLINDER CASE

RK55H / RK55HC

P1

YEAR

2017



NOTE

FIG 602

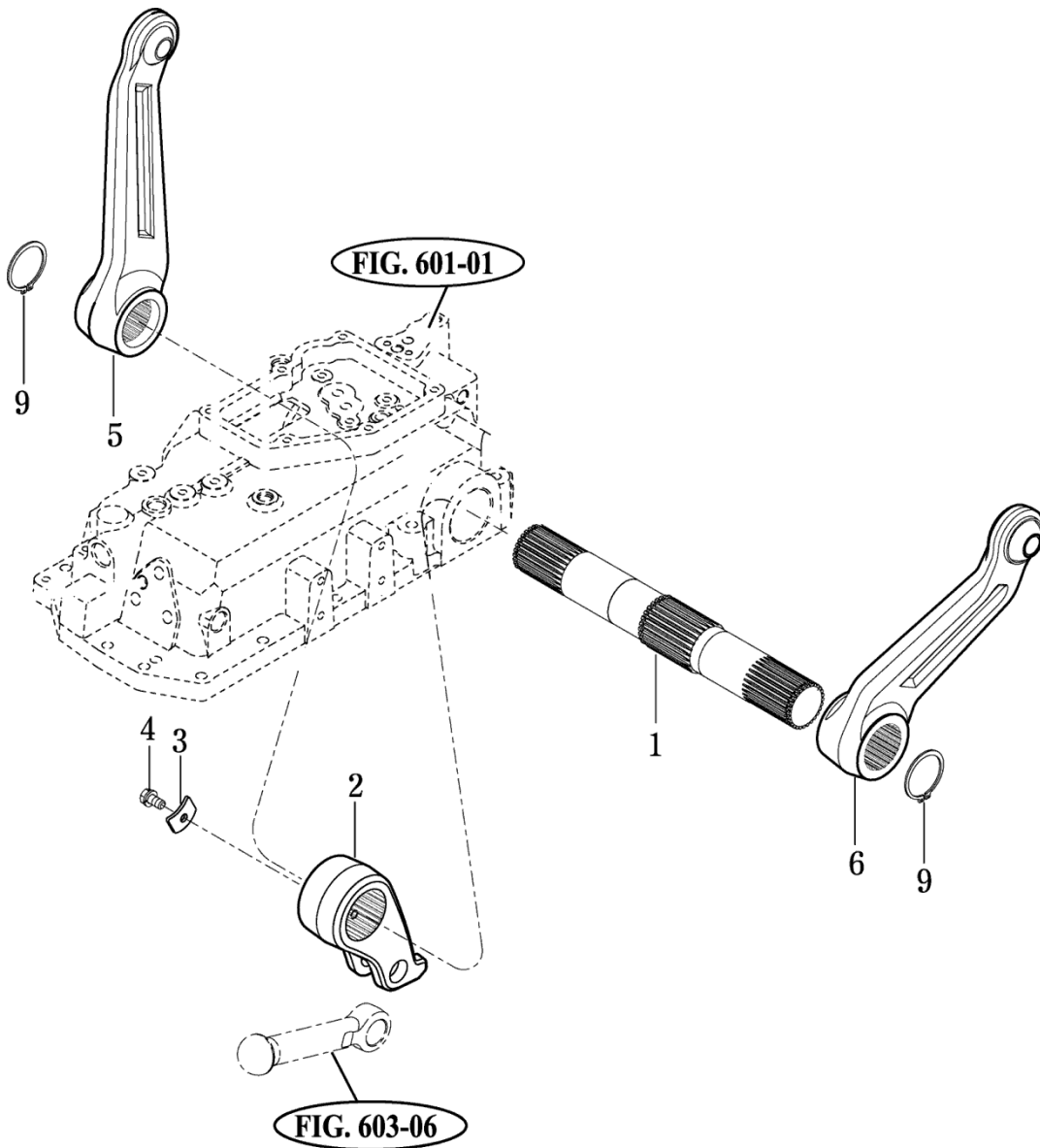
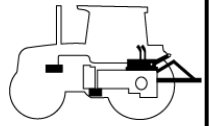
RK55H / RK55HC

LIFT ARM

P1

YEAR

2017



T473-E-602A

NOTE

FIG 603

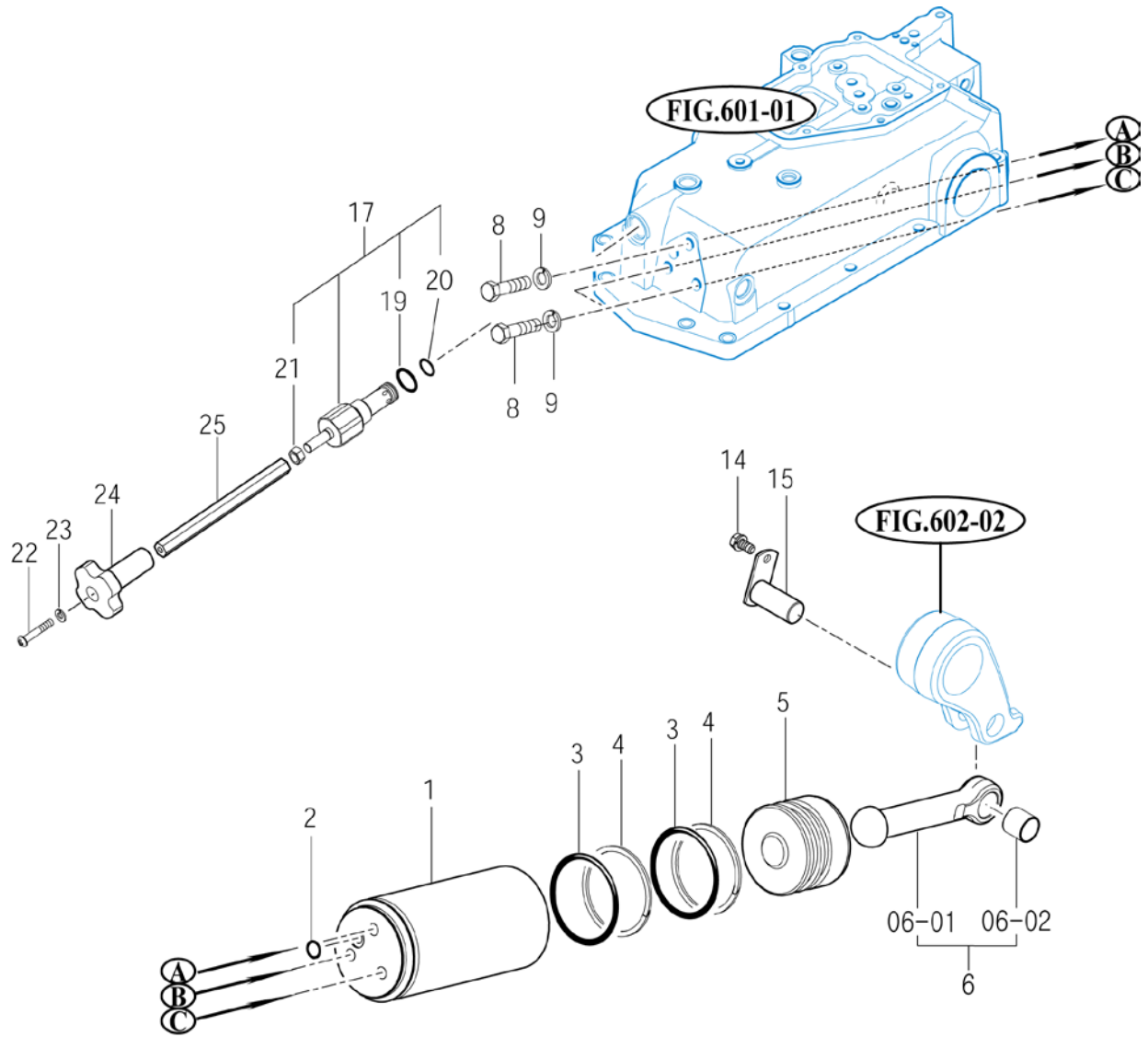
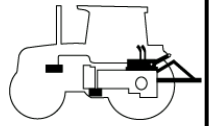
CYLINDER

RK55H / RK55HC

P1

YEAR

2017



T483-K-603

NOTE

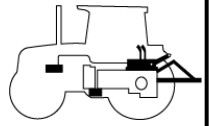
FIG 604

POSITION LINK

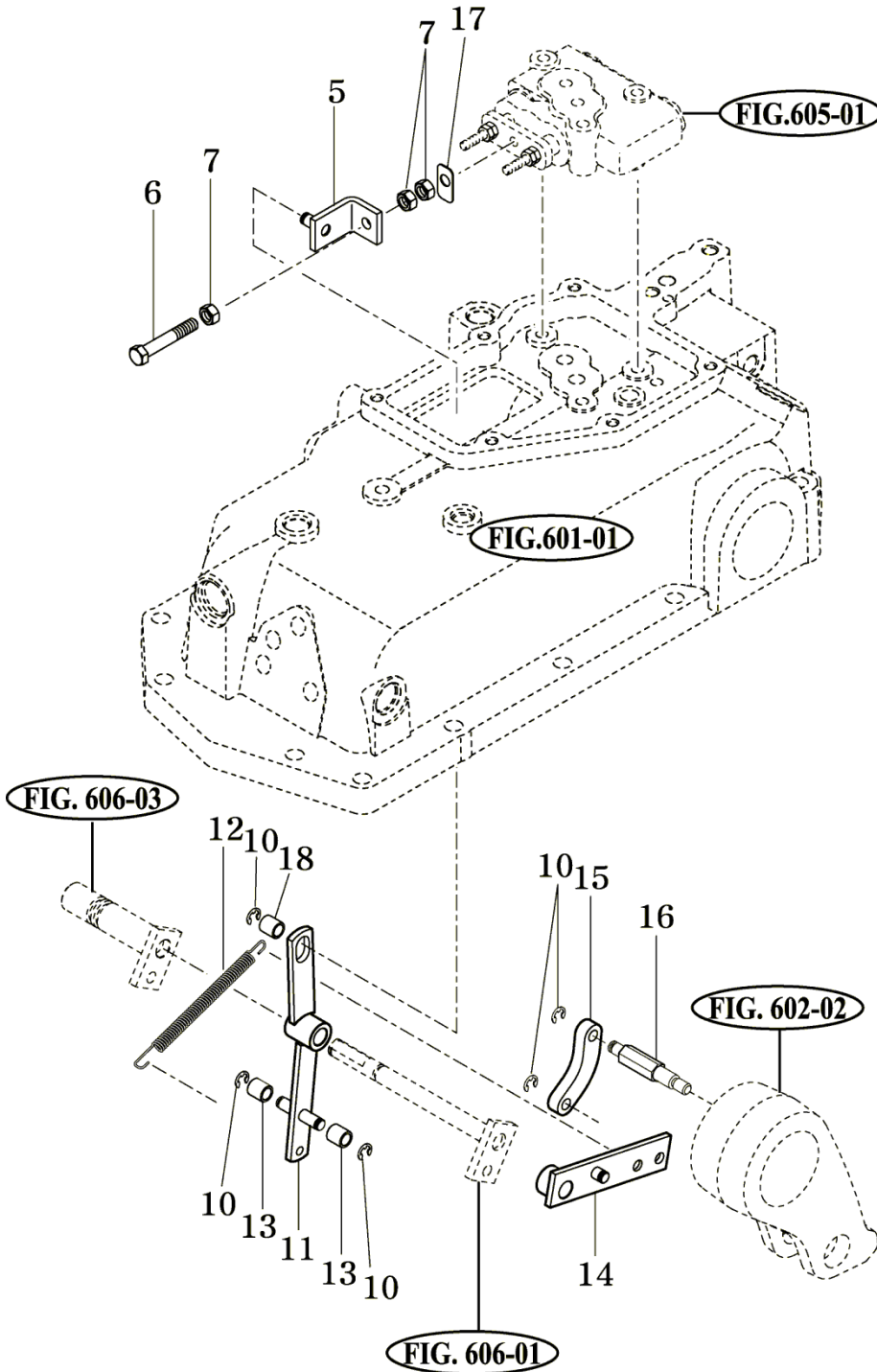
P1

YEAR

2017



RK55H / RK55HC



T483-K-604

NOTE

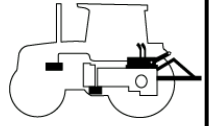
FIG 605

CONTROL VALVE

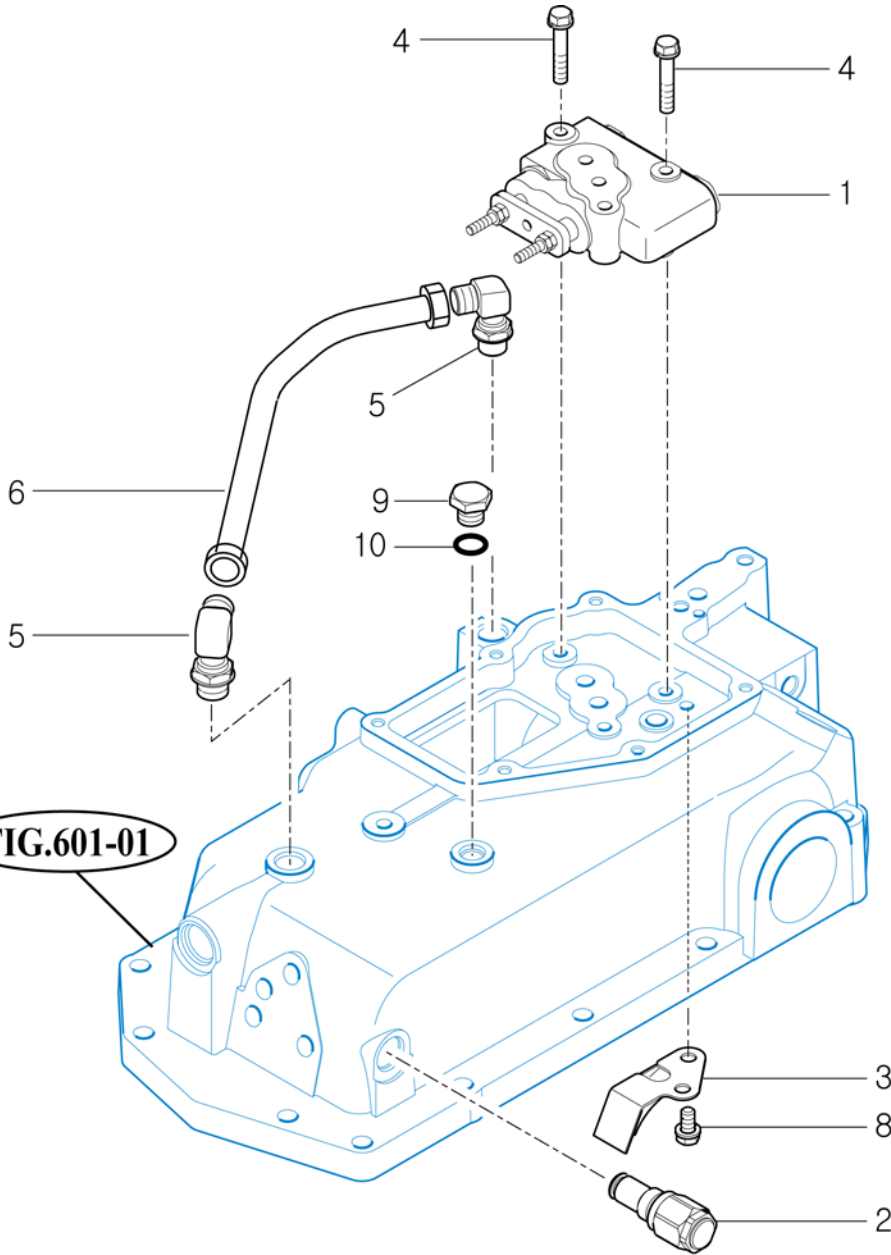
P1

YEAR

2017



RK55H / RK55HC



T503HST-K-605

NOTE

FIG 606

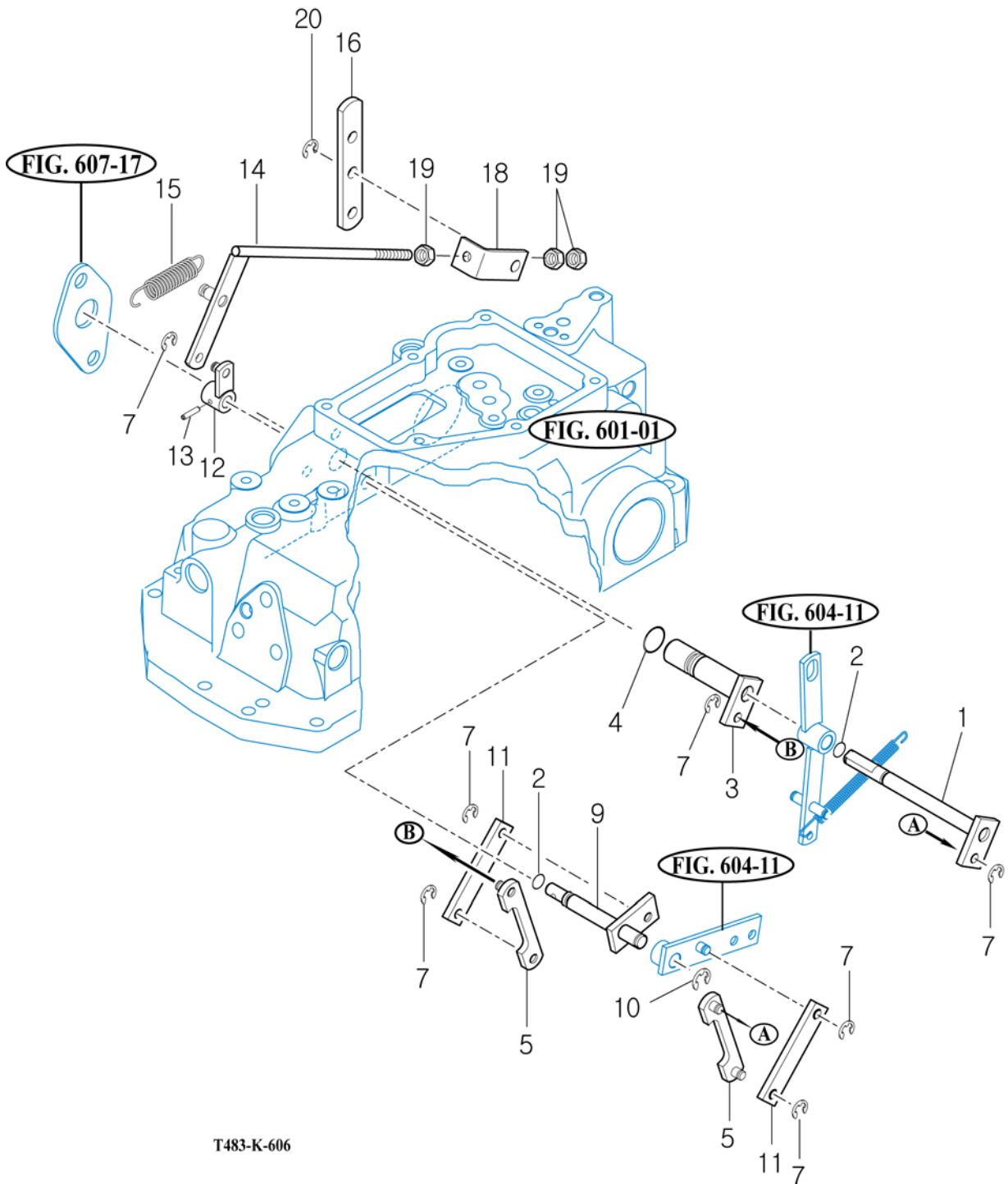
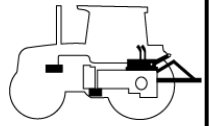
DRAFT LINK

RK55H / RK55HC

P1

YEAR

2017



T483-K-606

NOTE

FIG 607

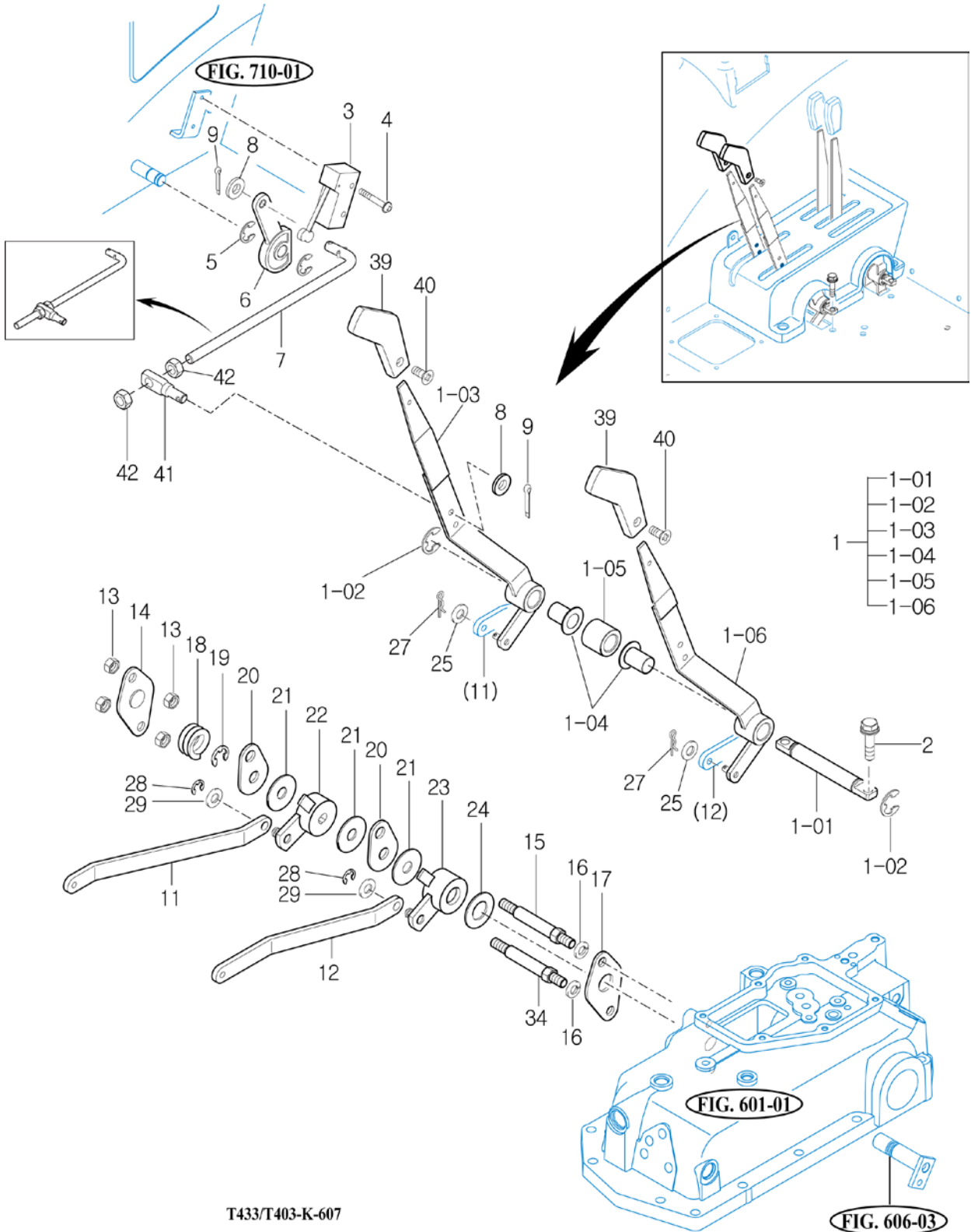
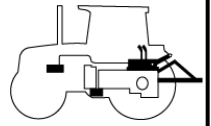
POSITION & DRAFT LEVER

RK55H / RK55HC

P1

YEAR

2017



NOTE

FIG 607

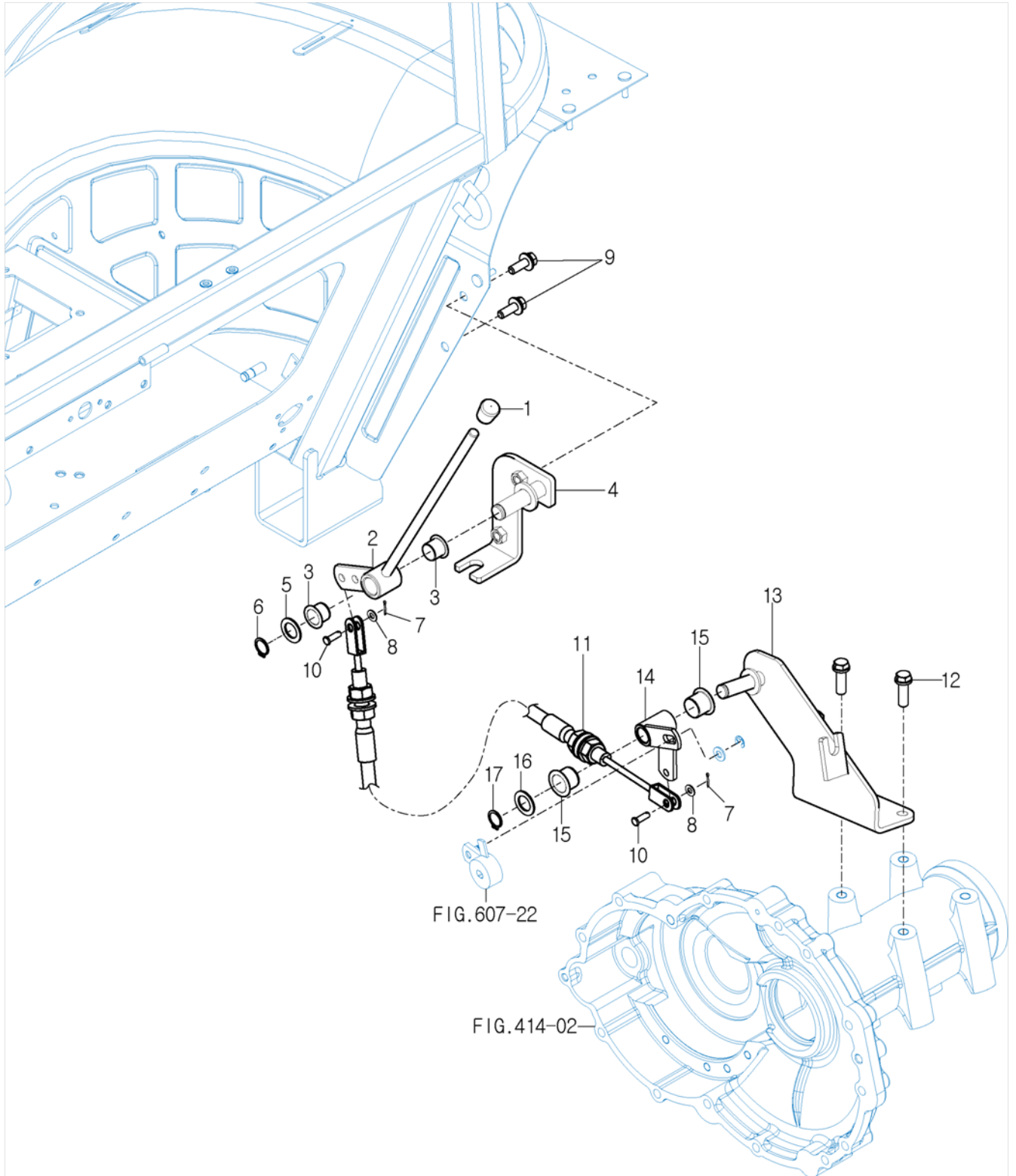
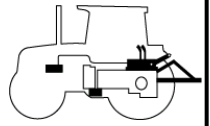
POSITION & DRAFT LEVER(2)

RK55H / RK55HC

P2

YEAR

2017



NOTE

FIG 608

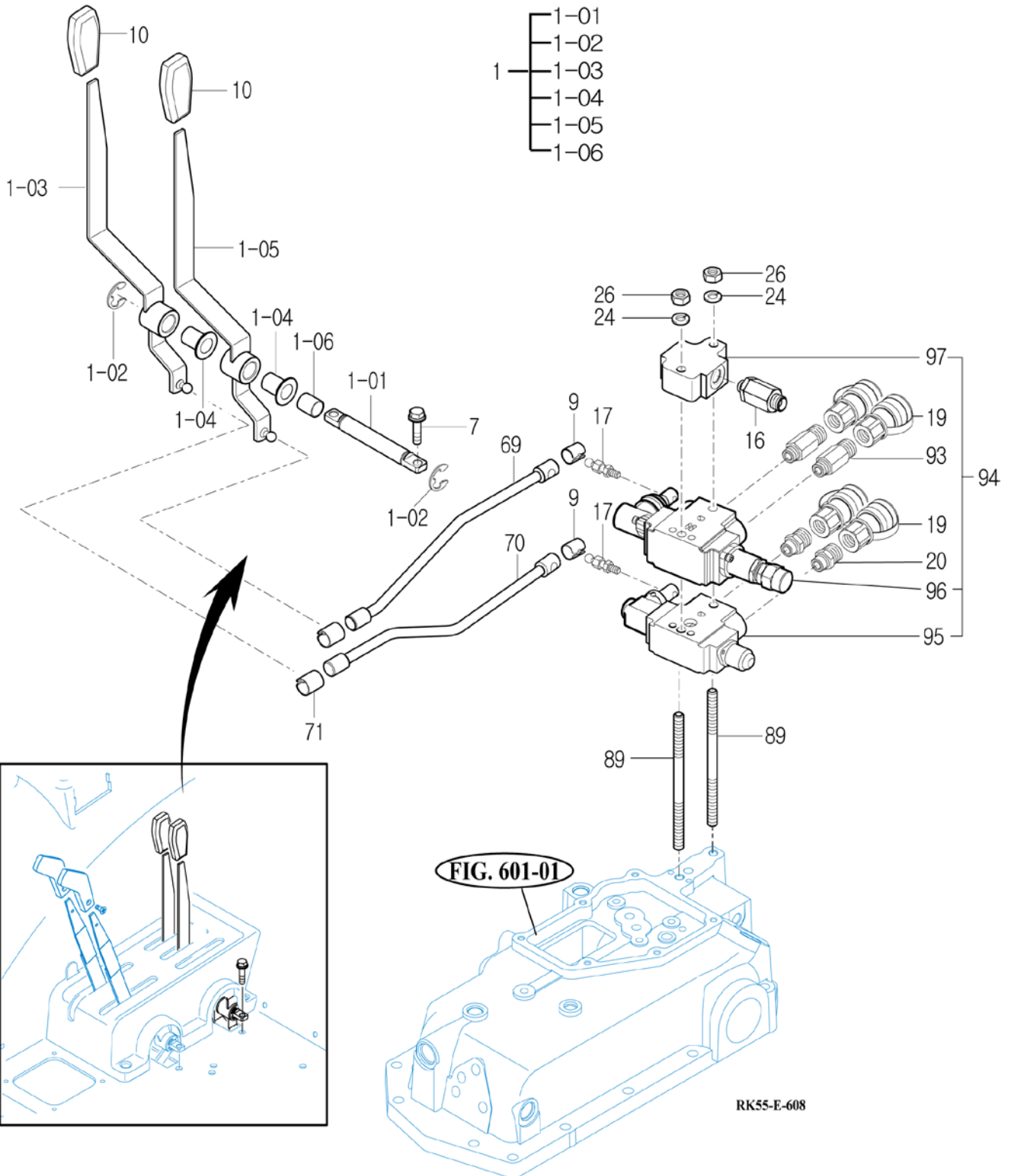
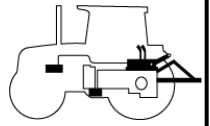
EXTERIOR HYD.VALVE

RK55H / RK55HC

P1

YEAR

2017



NOTE

FIG 609

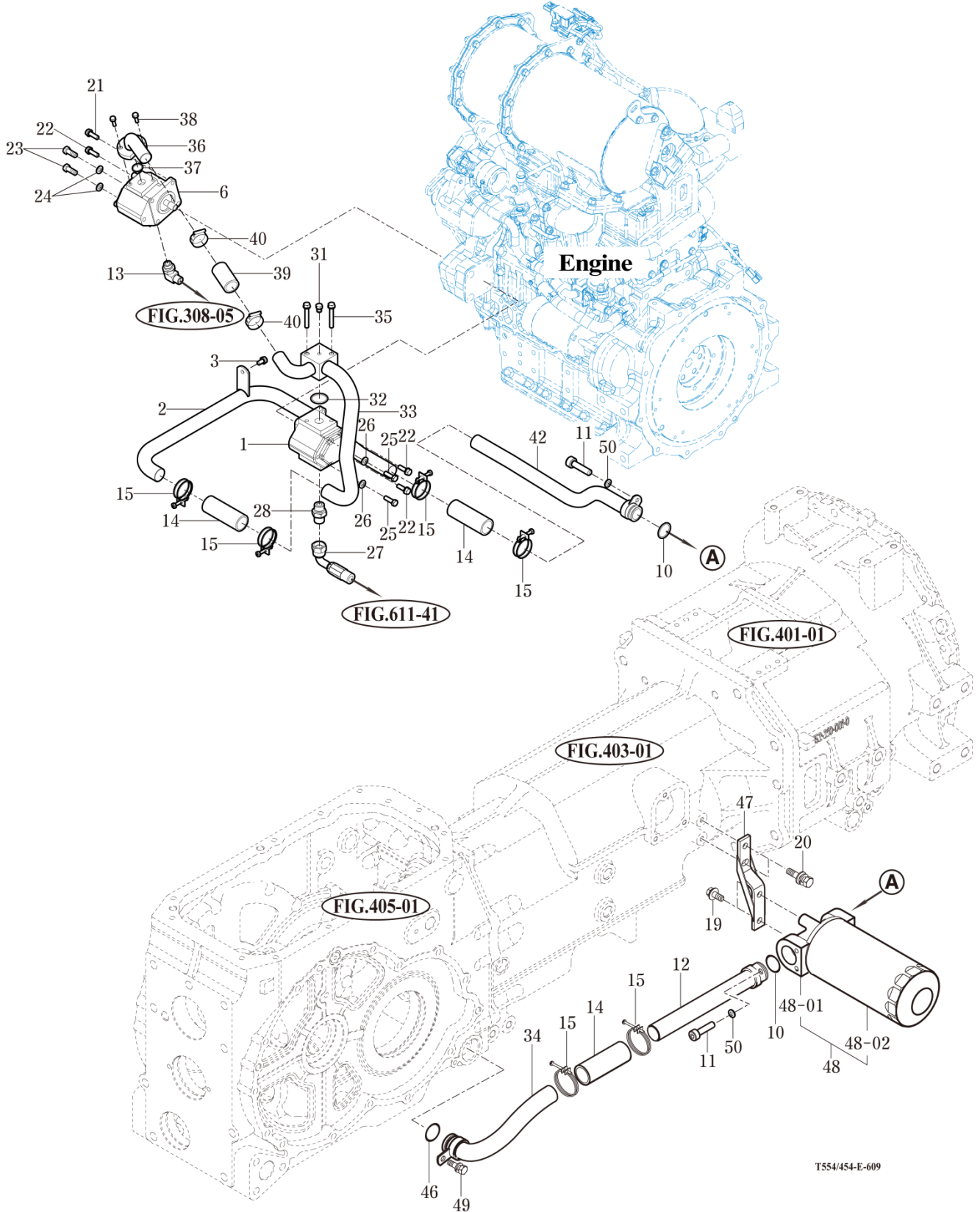
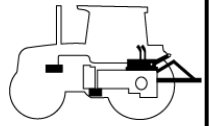
HYDRAULIC PIPE

RK55H / RK55HC

P1

YEAR

2017



T554/454-E-609

NOTE

FIG 610

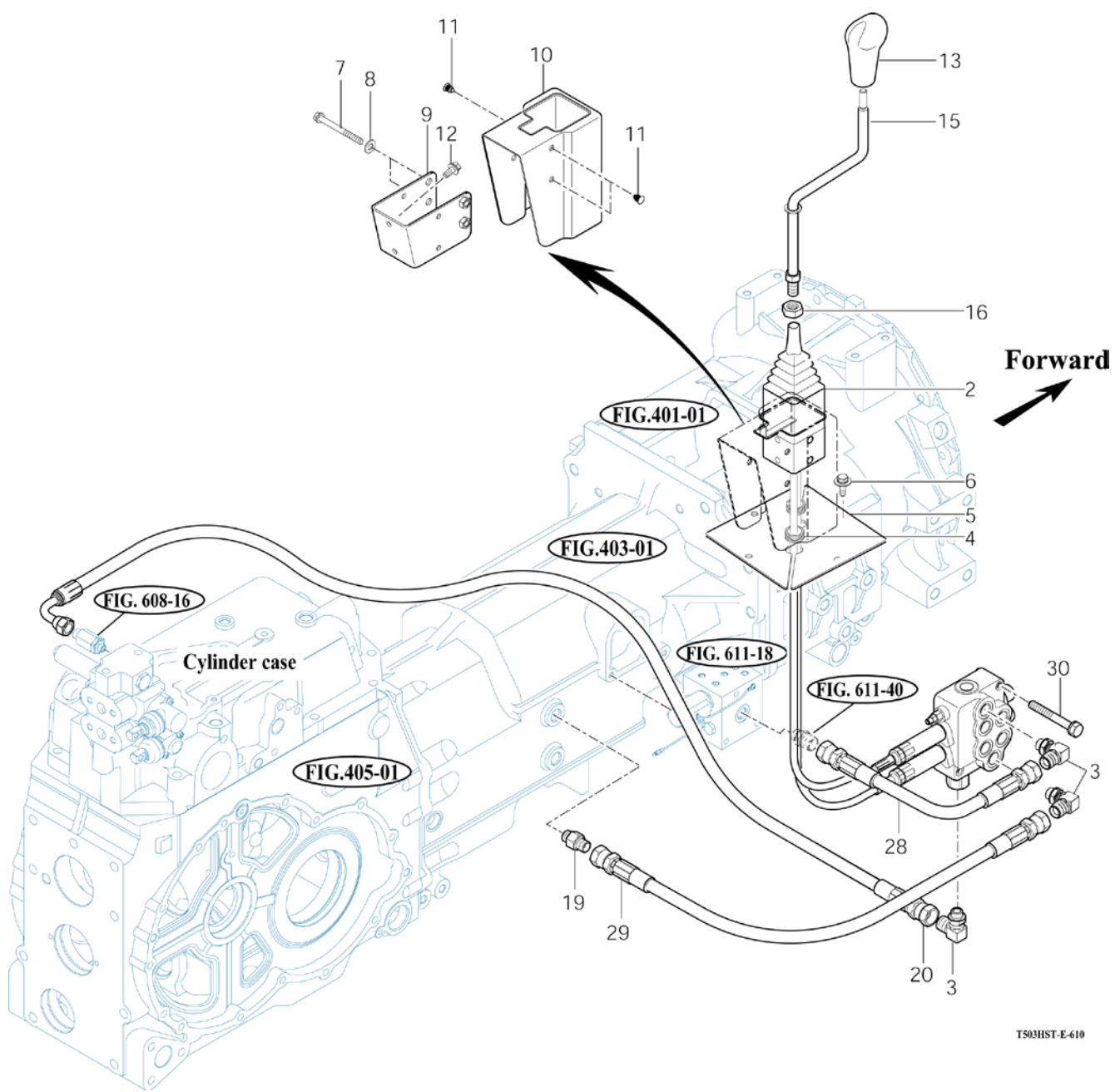
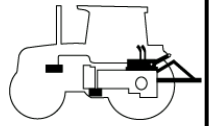
JOYSTICK

RK55H / RK55HC

P1

YEAR

2017



T503HST-E-610

NOTE

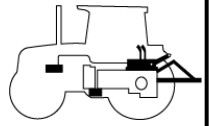
FIG 611

HYDRAULIC HOSE

P1

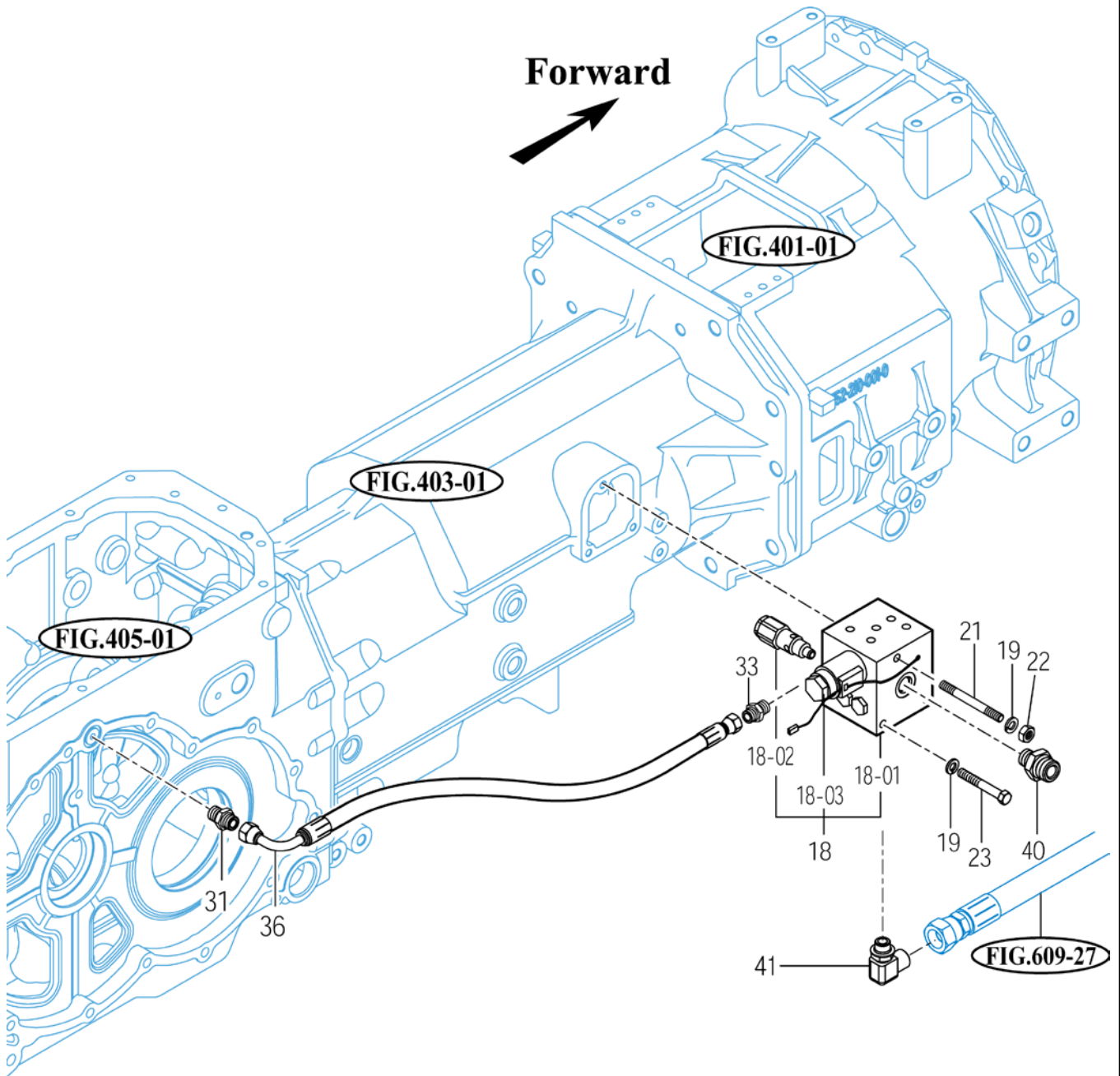
YEAR

2017



RK55H / RK55HC

Forward



T554/454-E-611

NOTE

FIG 612

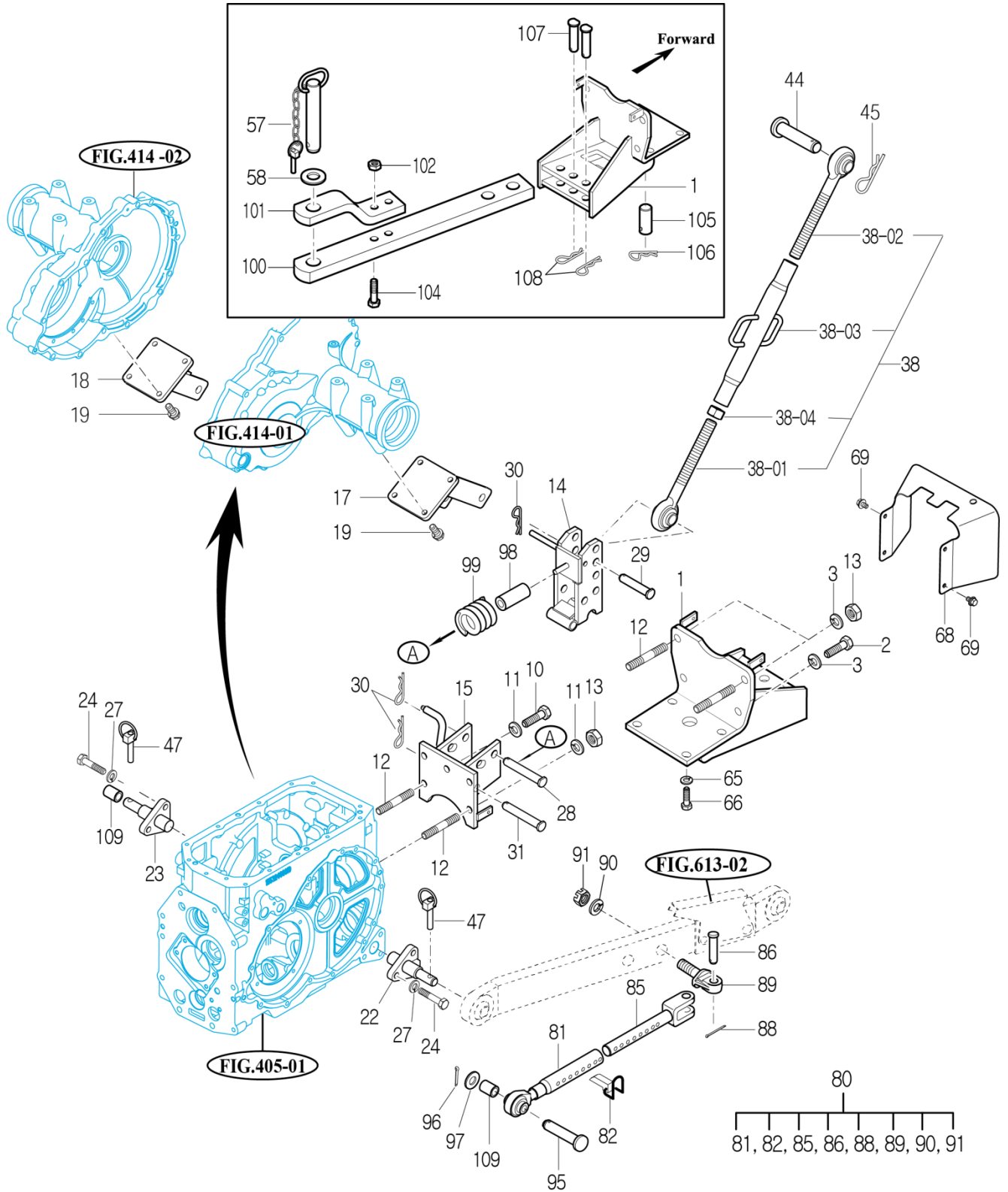
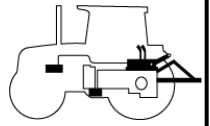
HITCH & 3-POINT LINK

RK55H / RK55HC

P1

YEAR

2017



T553-E-612

NOTE

FIG 612

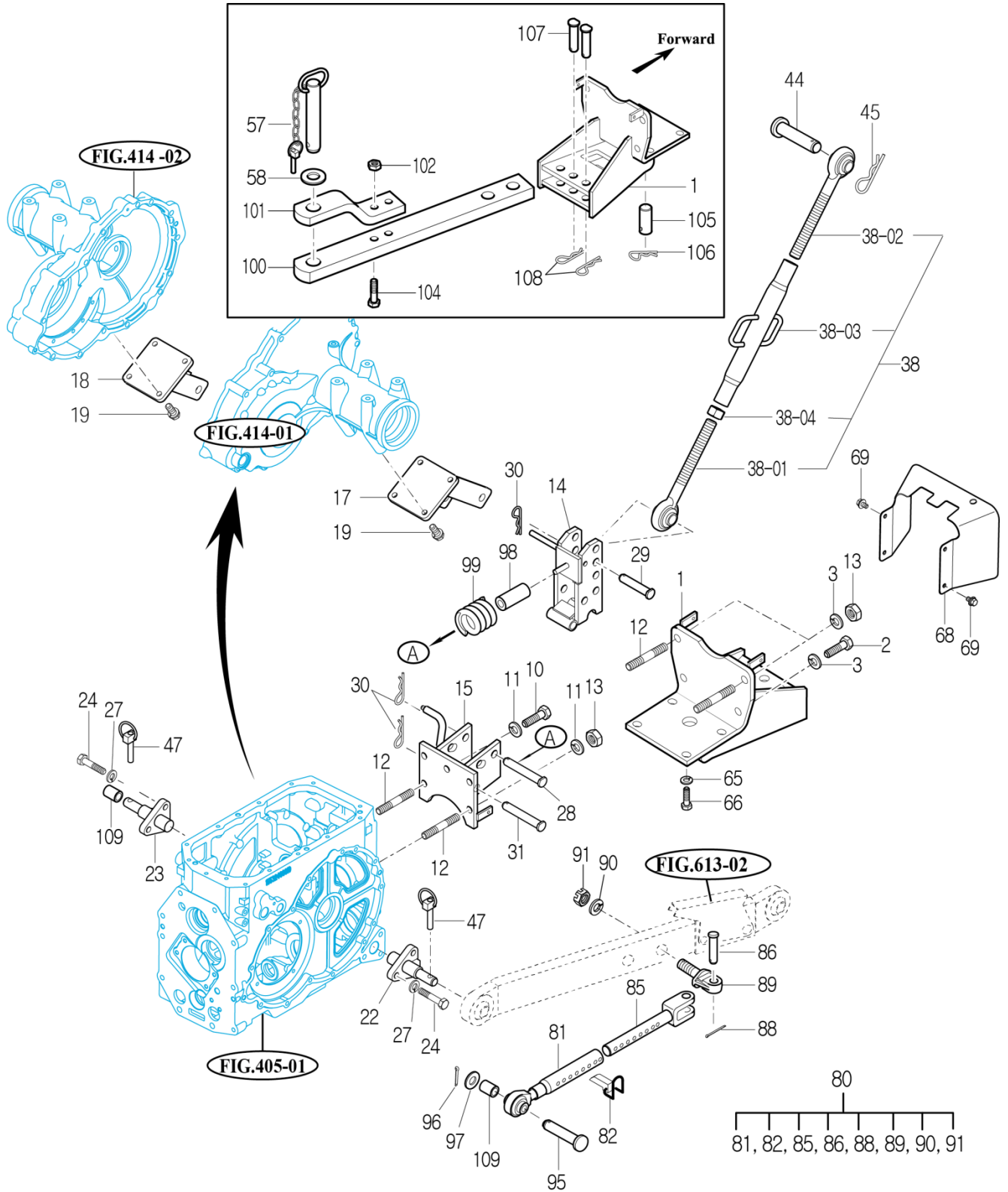
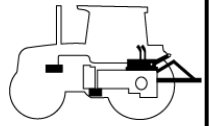
HITCH & 3-POINT LINK

RK55H / RK55HC

P2

YEAR

2017



T553-E-612

NOTE

FIG 613

LOWER LINK & LIFT ROD

RK55H / RK55HC

P1

YEAR

2017

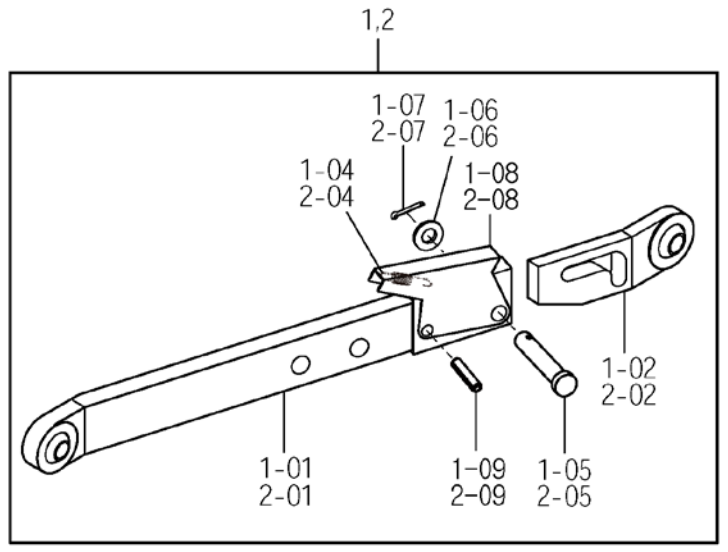
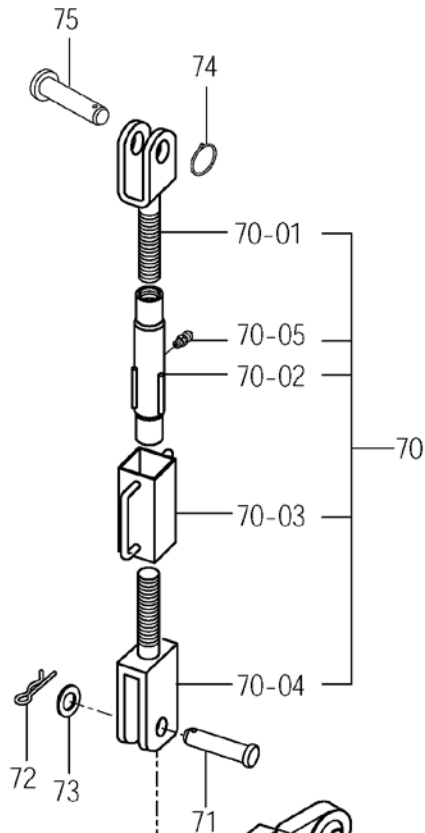
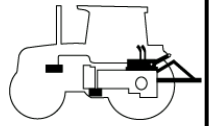


FIG.612-47

FIG.601-01

FIG.405-01

FIG.612-23

FIG.612-22

FIG.612-47

T553-E-613

NOTE

FIG 701

HOOD (1)

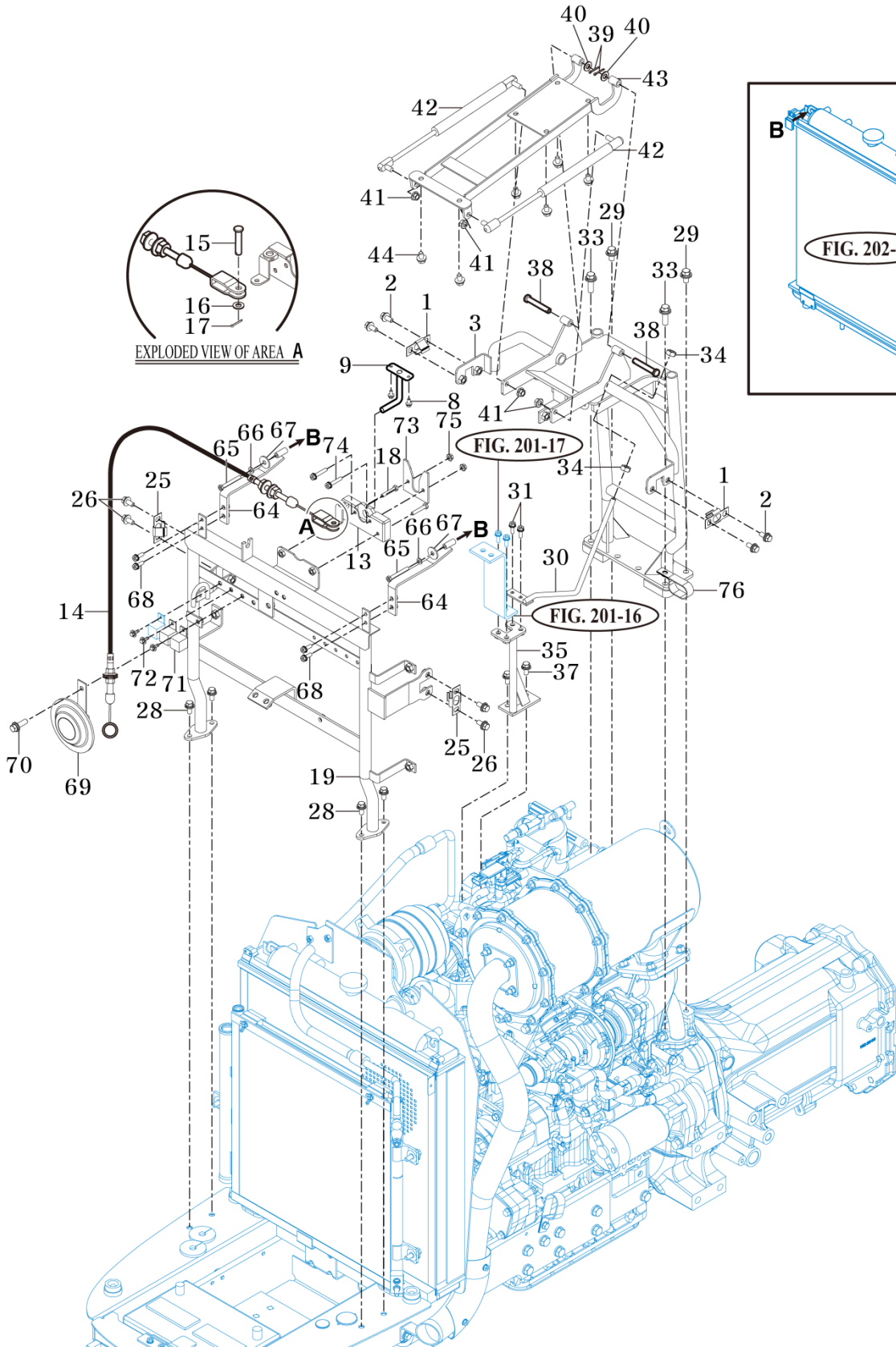
P1

YEAR

2017



RK55H / RK55HC



NOTE

FIG 702

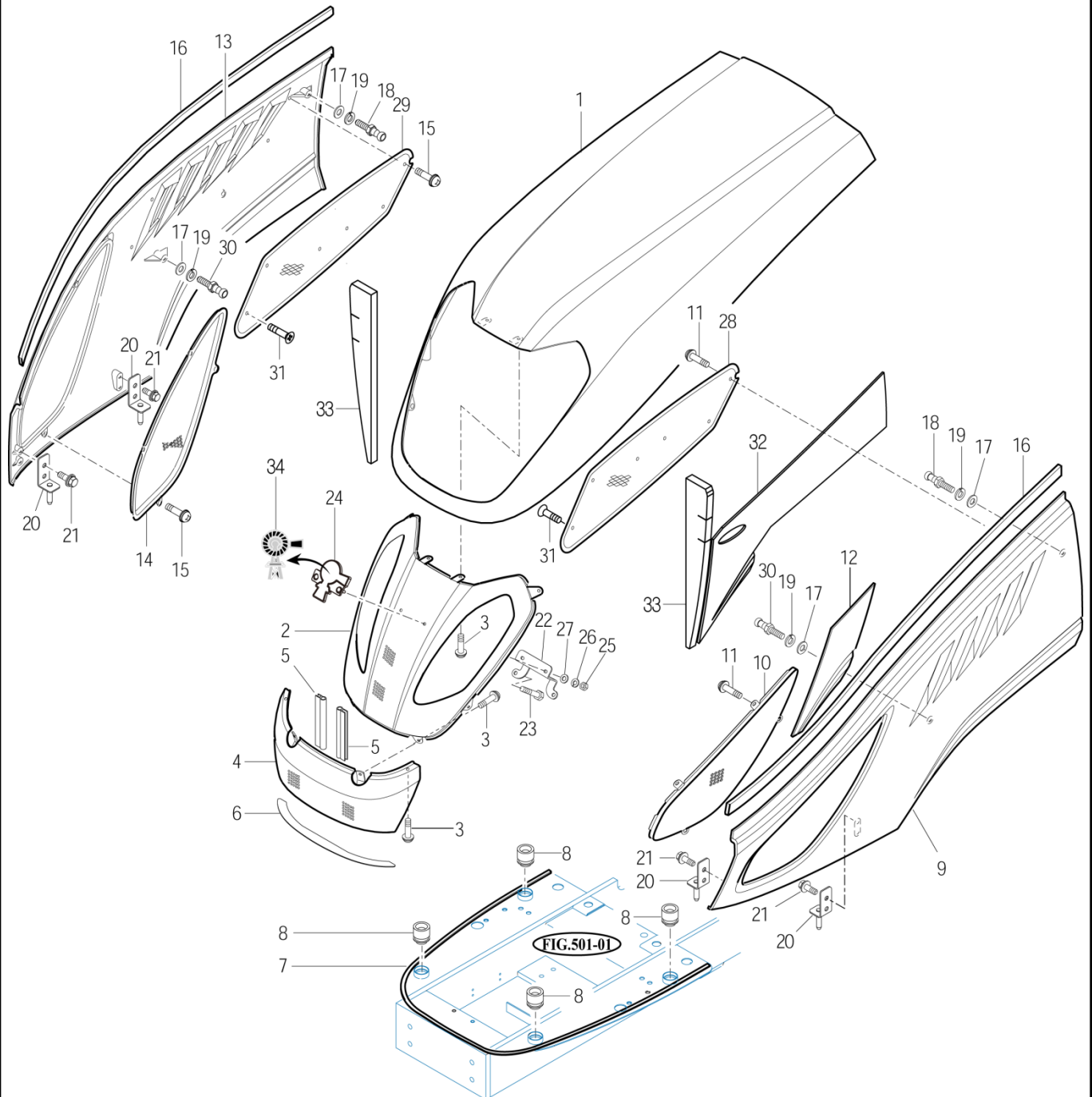
RK55H / RK55HC

HOOD (2)

P1

YEAR

2017



T554/454-E-702

NOTE

FIG 704A

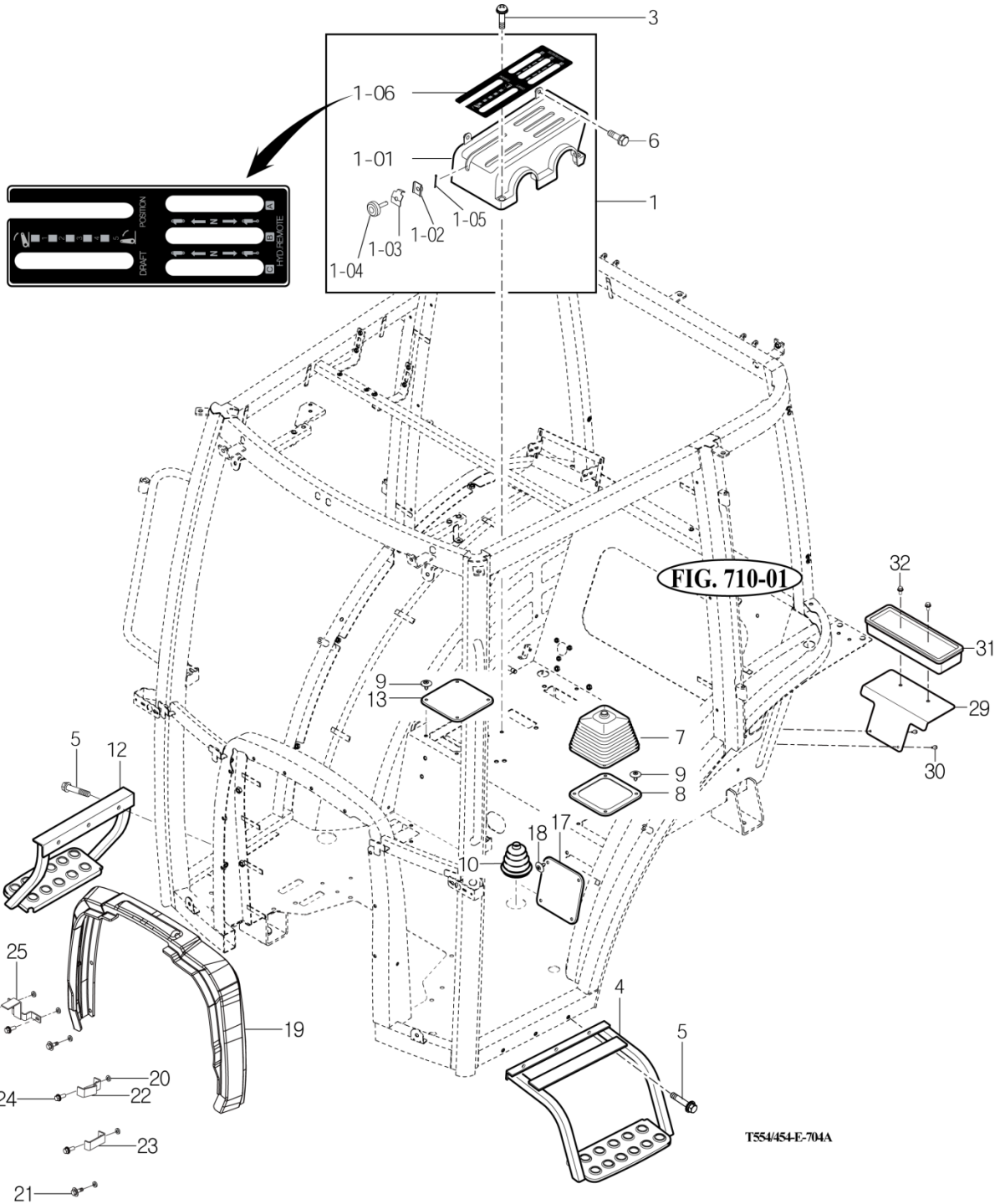
LEVER COVER & STEP

RK55H / RK55HC

P1

YEAR

2017



NOTE

FIG 704B

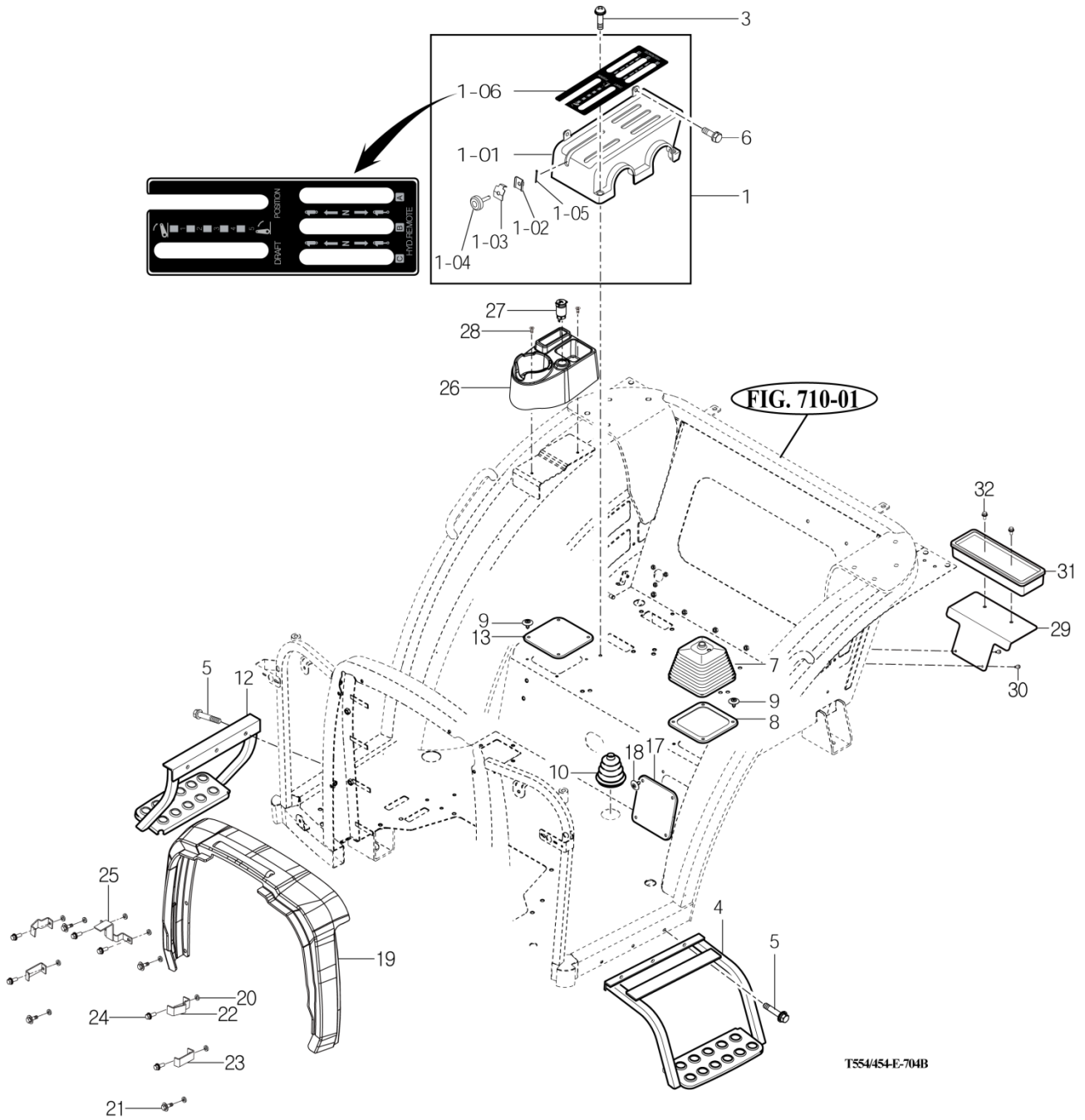
LEVER COVER & STEP-Non CAB

RK55H / RK55HC

P1

YEAR

2017



T554/454-E-704B

NOTE

FIG 705

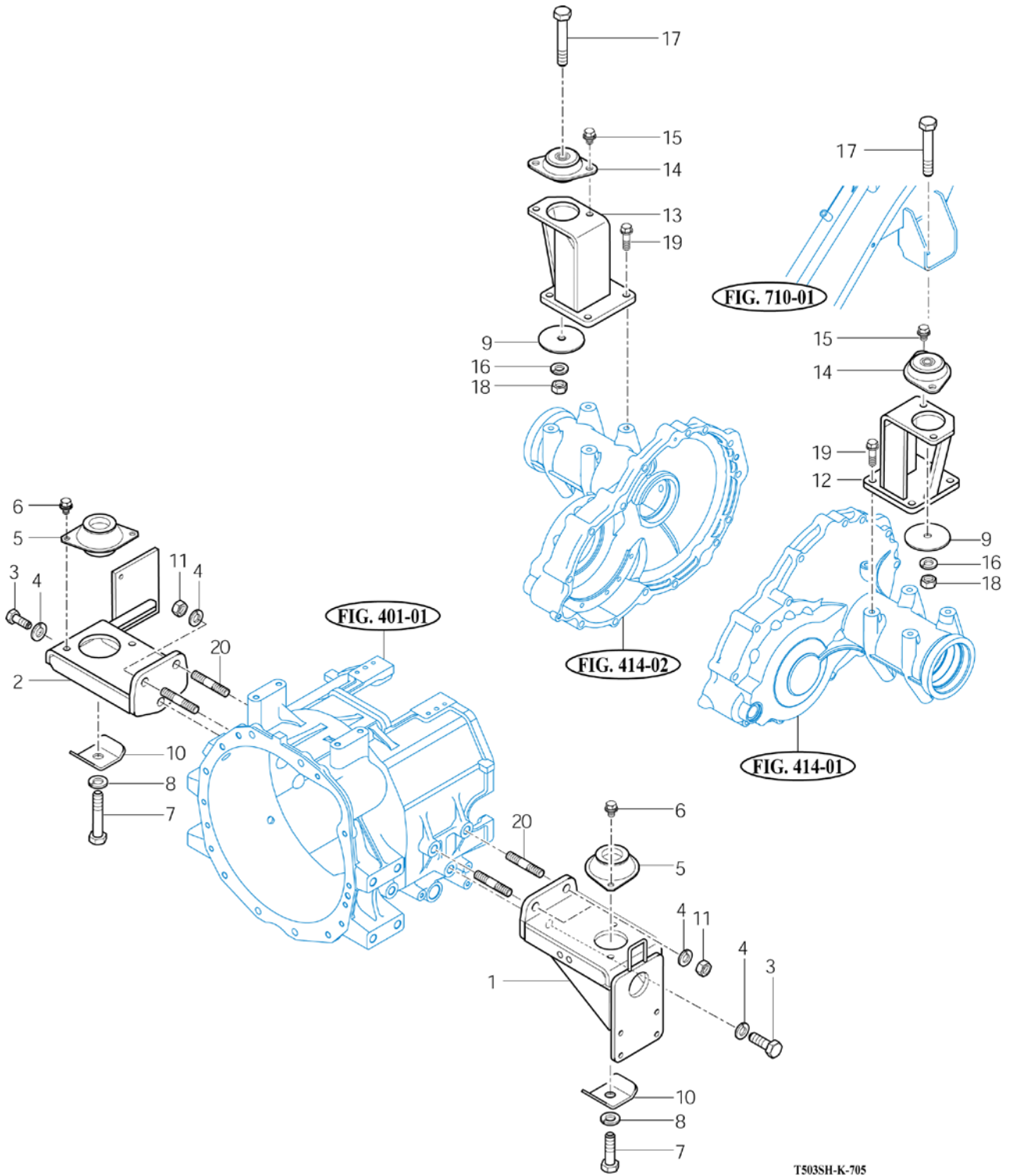
FRONT & REAR MOUNTING

RK55H / RK55HC

P1

YEAR

2017



T503SH-K-705

NOTE

FIG 706

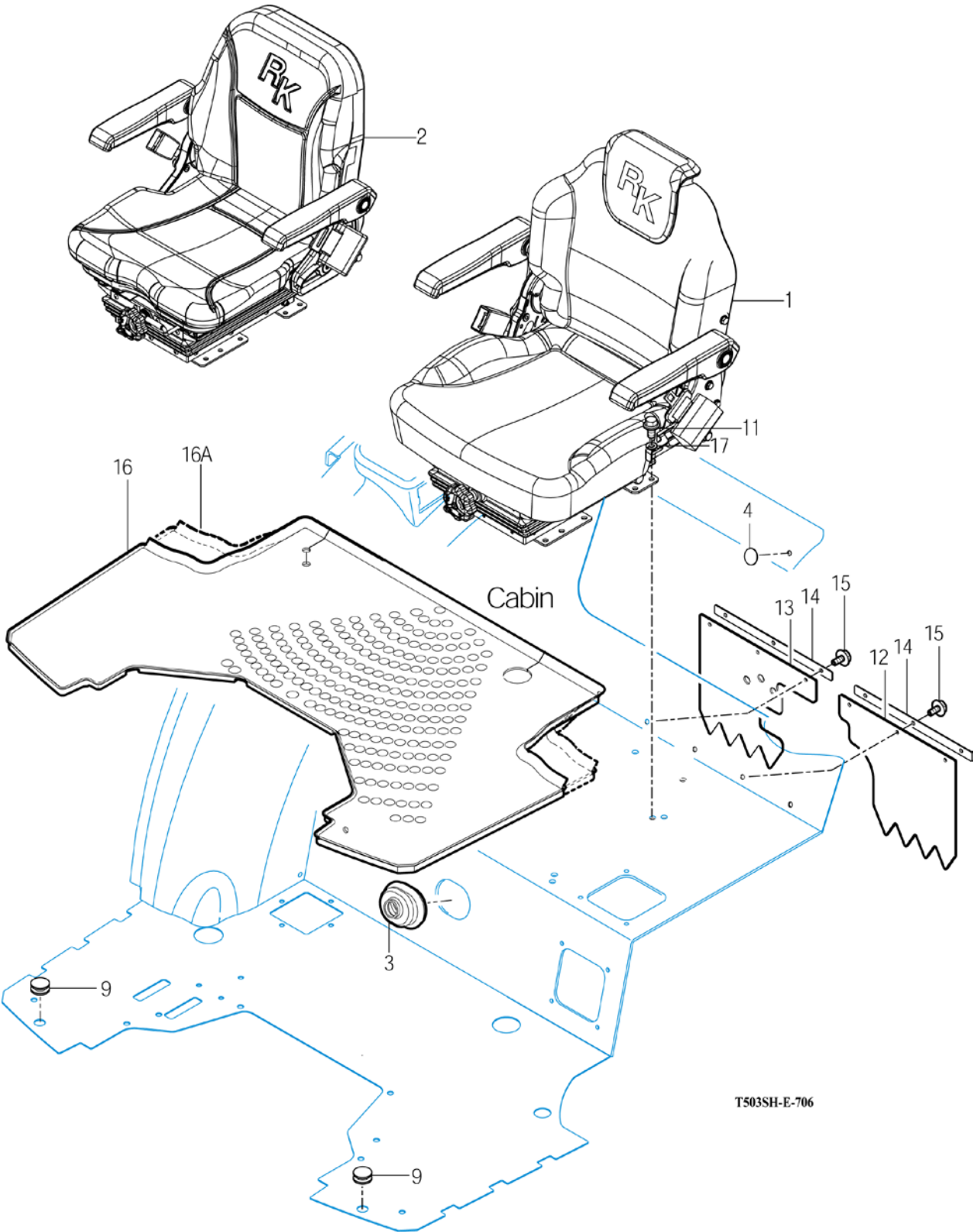
RK55H / RK55HC

SEAT & MAT

P1

YEAR

2017



T503SH-E-706

NOTE

FIG 709

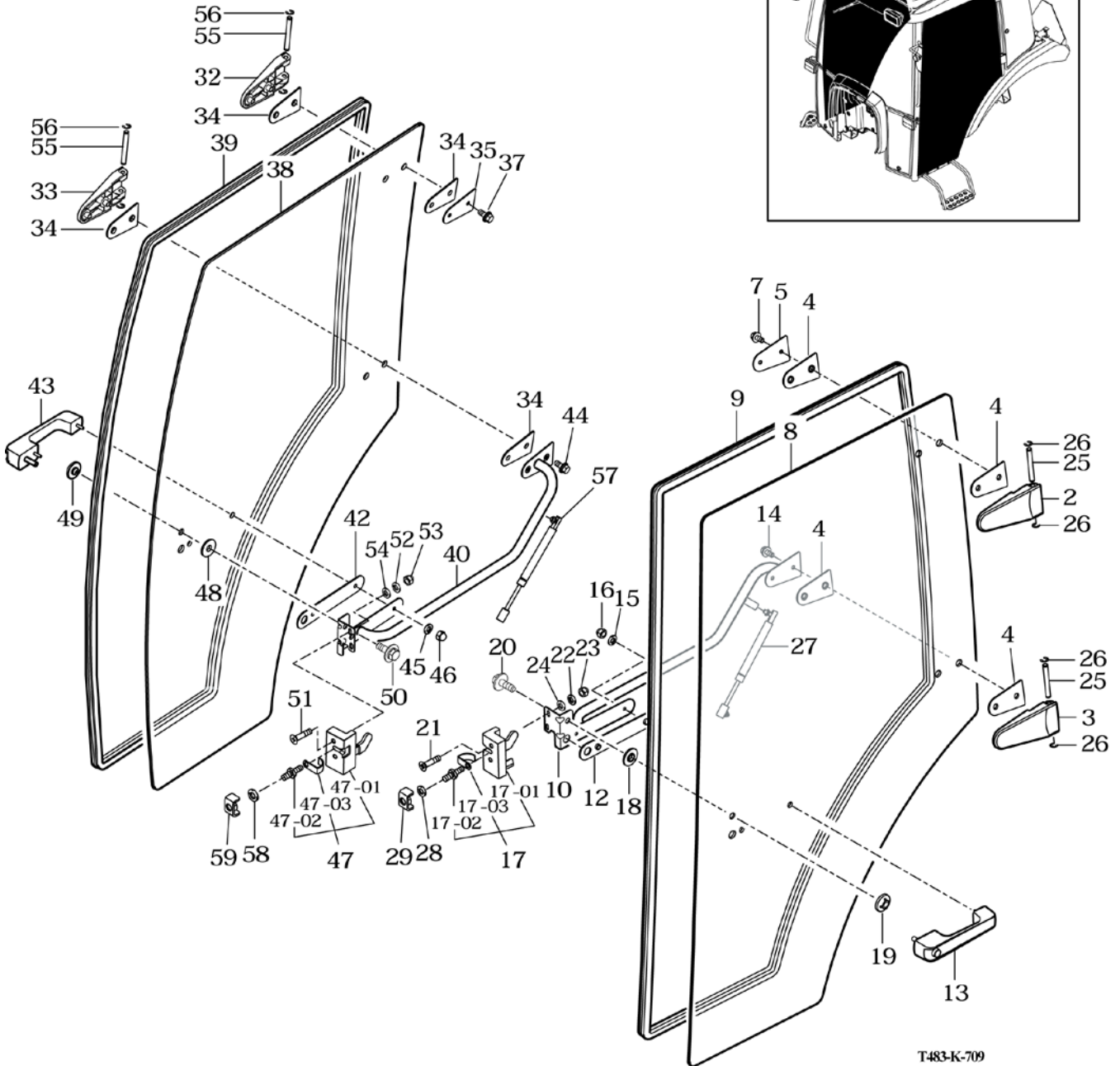
RK55H / RK55HC

DOOR

P1

YEAR

2017



T483-K-709

NOTE

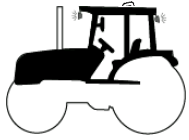
FIG 709		DOOR				P1	YEAR	
RK55H / RK55HC							2017	
KEY NO.	PART NO.	DESCRIPSTION	SPEC.	QTY.		REPAIR	EFFECTIVE DATE	REMARKS
				RK55H	RK55HC			
709 002	14527052300	HINGE COMP , UPR		-	1			
709 003	14527052400	HINGE COMP , LOW		-	1			
709 004	14527052110	GASKET , DOOR HINGE		-	4			
709 005	14527052120GB	PLATE , DOOR HINGE		-	1			
709 007	V2183608020	BOLT , HEX/SP	M8X20	-	2			
709 008	14527052131	GLASS , LH/ DOOR	6t	-	1	C		
709 009	14527052140	INSULATOR/DOOR		-	1	C		
709 010	14527052500GB	GUIDE COMP ,LH/ DOOR		-	1			
709 012	14527052150	GASKET,DOOR GRIP		-	1			
709 013	14527052600	GRIP ASSY, LOCK/HANDLE		-	1			
709 014	V2183608020	BOLT , HEX/SP	M8X20	-	2			
709 015	V4011600060	WASHER , SPRING	M6	-	2			
709 016	V3402700060	NUT , CAP	M6	-	2			
709 017	14527052700	LOCK SET , LH/DOOR		-	1			
709 01701	14527052710	.LOCK ASSY, LH/DOOR		-	1			
709 01702	14527052720	.STRIKER		-	1			
709 01703	14527052730	.GUARD		-	1			
709 018	15817401130	GROMMET , 13X17X02		-	1			
709 019	14527042500	NUT COMP , GLASS		-	1			
709 020	V2193606012	BOLT , HEX/SPL	M6X12	-	1			
709 021	V1122608040	SCREW , C/R FLAT	M8X40	-	2			
709 022	V4011600080	WASHER , SPRING	M8	-	2			
709 023	V3412700080	NUT , SMALL CAP	M8	-	2			
709 024	V4111600080	WASHER , PLAIN		-	2			
709 025	14527041110	PIN, HINGE DOOR	D=8	-	2			
709 026	V7082400070	E-RING	7	-	4			
709 027	14527301080	DAMPER ASSY , DOOR	20KG	-	1			
709 028	V4011600100	WASHER , SPRING	M10	-	1			
709 029	14527062500GB	BRACKET COMP , DOOR LOCK		-	1			
709 032	14527052300	HINGE COMP , UPR		-	1			
709 033	14527052400	HINGE COMP , LOW		-	1			
709 034	14527052110	GASKET , DOOR HINGE		-	4			
709 035	14527052120GB	PLATE , DOOR HINGE		-	1			
709 037	V2183608020	BOLT , HEX/SP	M8X20	-	2			
709 038	14527053131	GLASS , RH/ DOOR	6t	-	1	C		
709 039	14527052140	INSULATOR/DOOR		-	1	C		
709 040	14527053500GB	GUIDE COMP ,RH/DOOR		-	1			
709 042	14527052150	GASKET,DOOR GRIP		-	1			
709 043	14527052600	GRIP ASSY, LOCK/HANDLE		-	1			
709 044	V2183608020	BOLT , HEX/SP	M8X20	-	2			
709 045	V4011600060	WASHER , SPRING	M6	-	2			
709 046	V3402700060	NUT , HEX CAP	M6	-	2			
709 047	14527053700	LOCK SET , RH/DOOR		-	1			
709 04701	14527053710	.LOCK ASSY, RH/DOOR		-	1			
709 04702	14527052720	.STRIKER		-	1			
709 04703	14527052730	.GUARD		-	1			
709 048	15817401130	GROMMET , 13X17X02		-	1			
709 049	14527042500	NUT COMP , GLASS		-	1			
709 050	V2193606012	BOLT , HEX/SPL		-	1			
		-NEXT-						
NOTE								

FIG 709

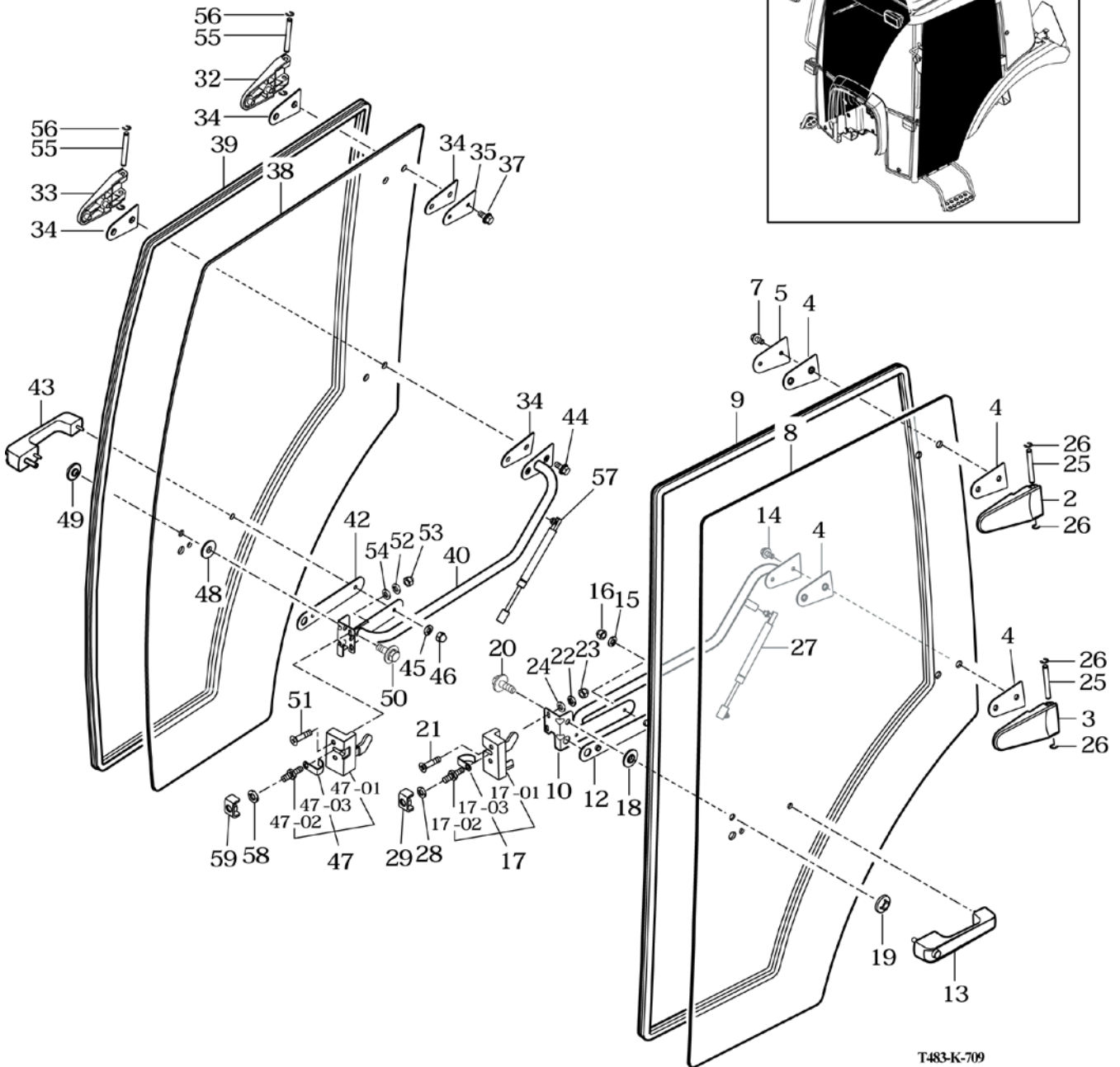
RK55H / RK55HC

DOOR

P2

YEAR

2017



T483-K-709

NOTE

FIG 710A

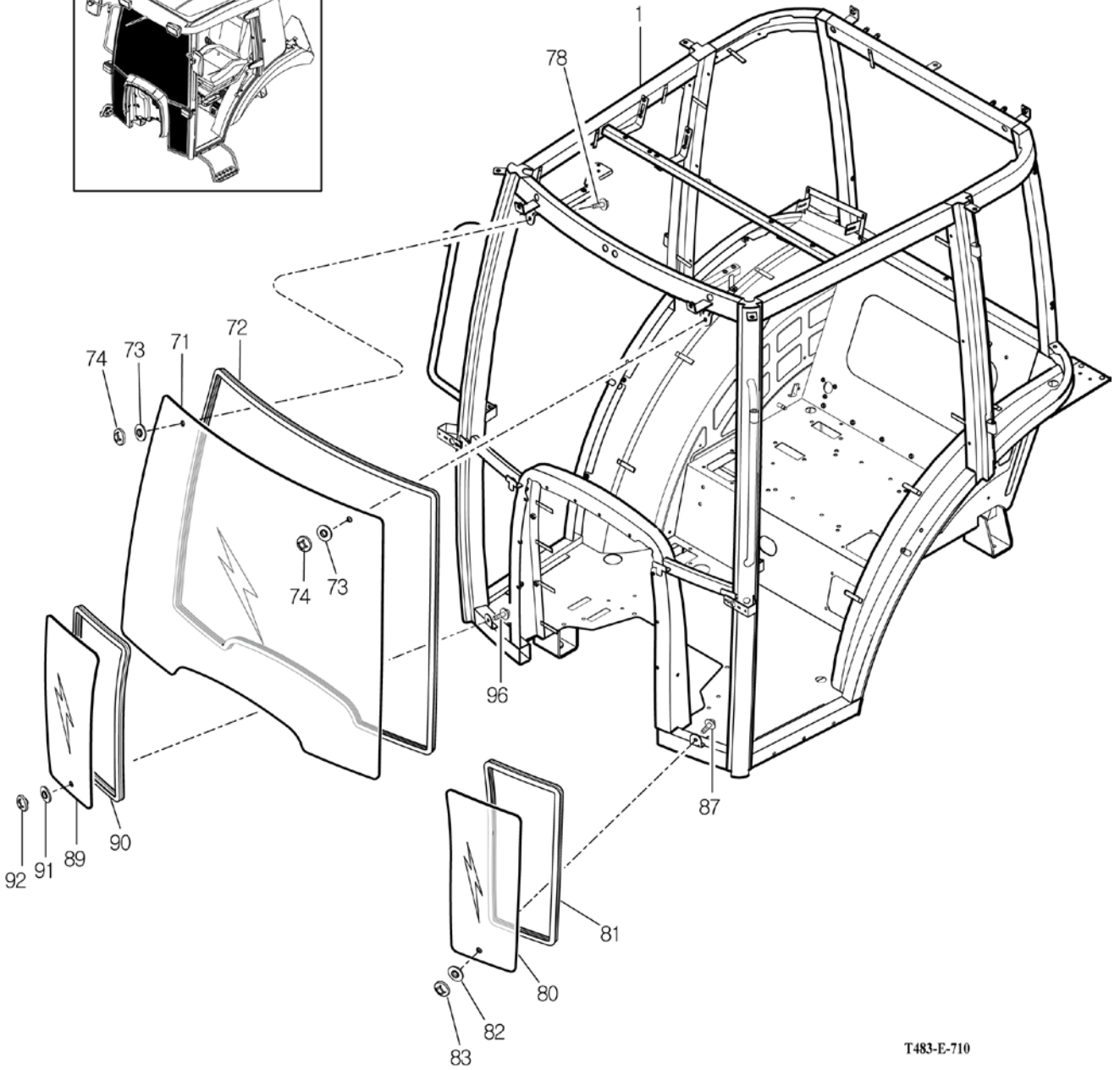
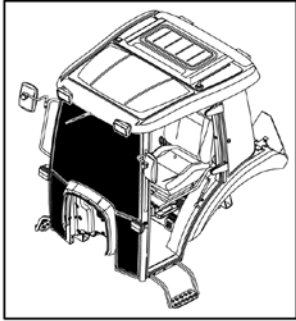
RK55H / RK55HC

FRONT GLASS

P1

YEAR

2017



T483-E-710

NOTE

FIG 710B

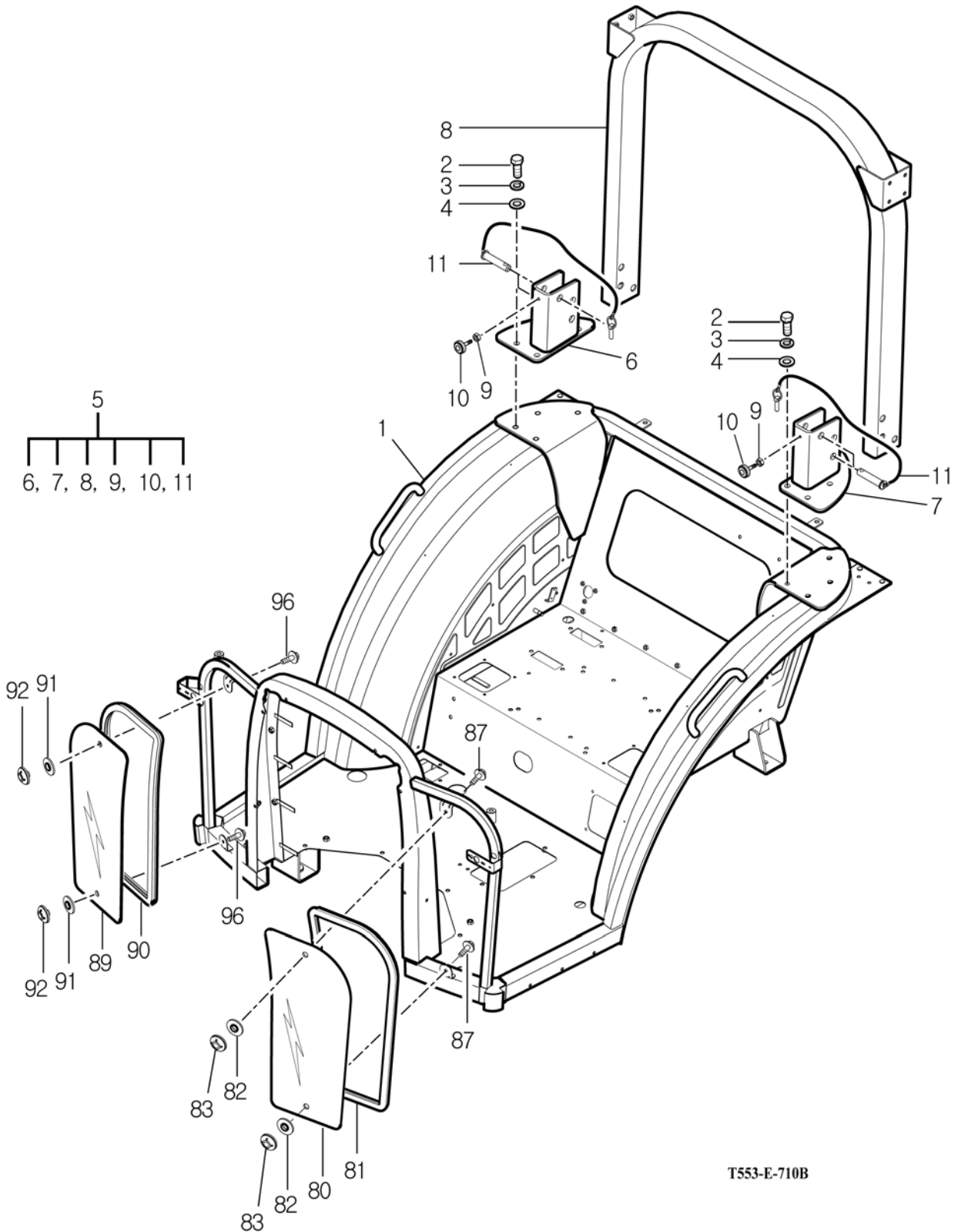
FRAME&2POLES ROPS-Non CAB

RK55H / RK55HC

P1

YEAR

2017



T553-E-710B

NOTE

FIG 711

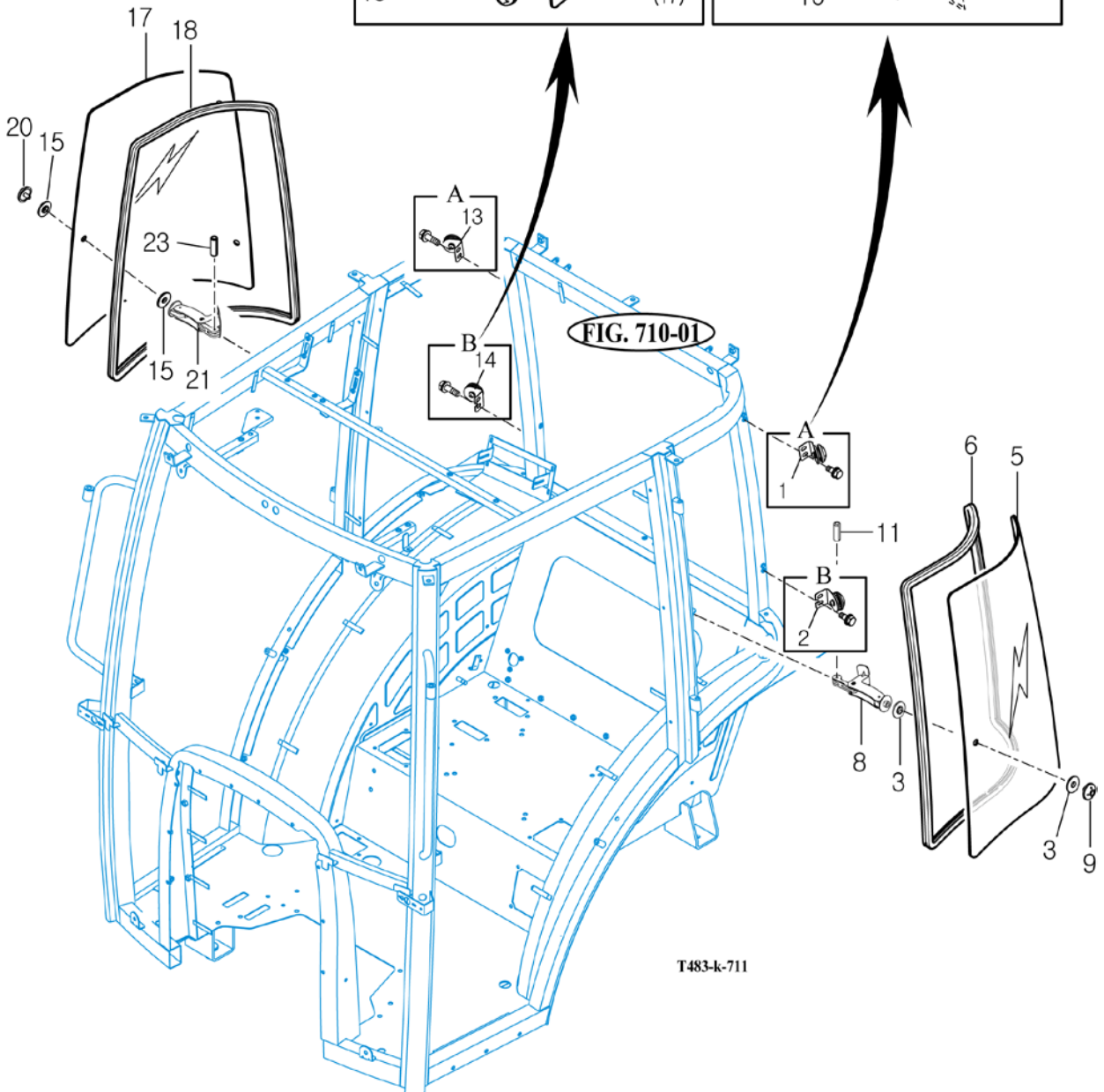
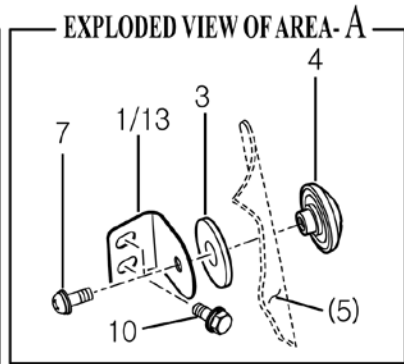
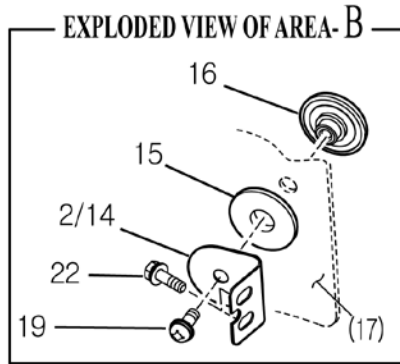
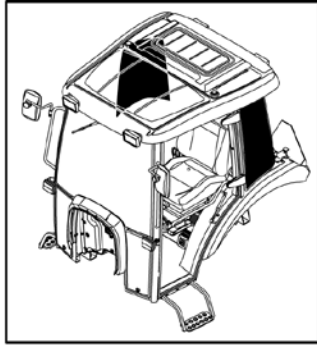
SIDE GLASS

RK55H / RK55HC

P1

YEAR

2017



NOTE

FIG 712

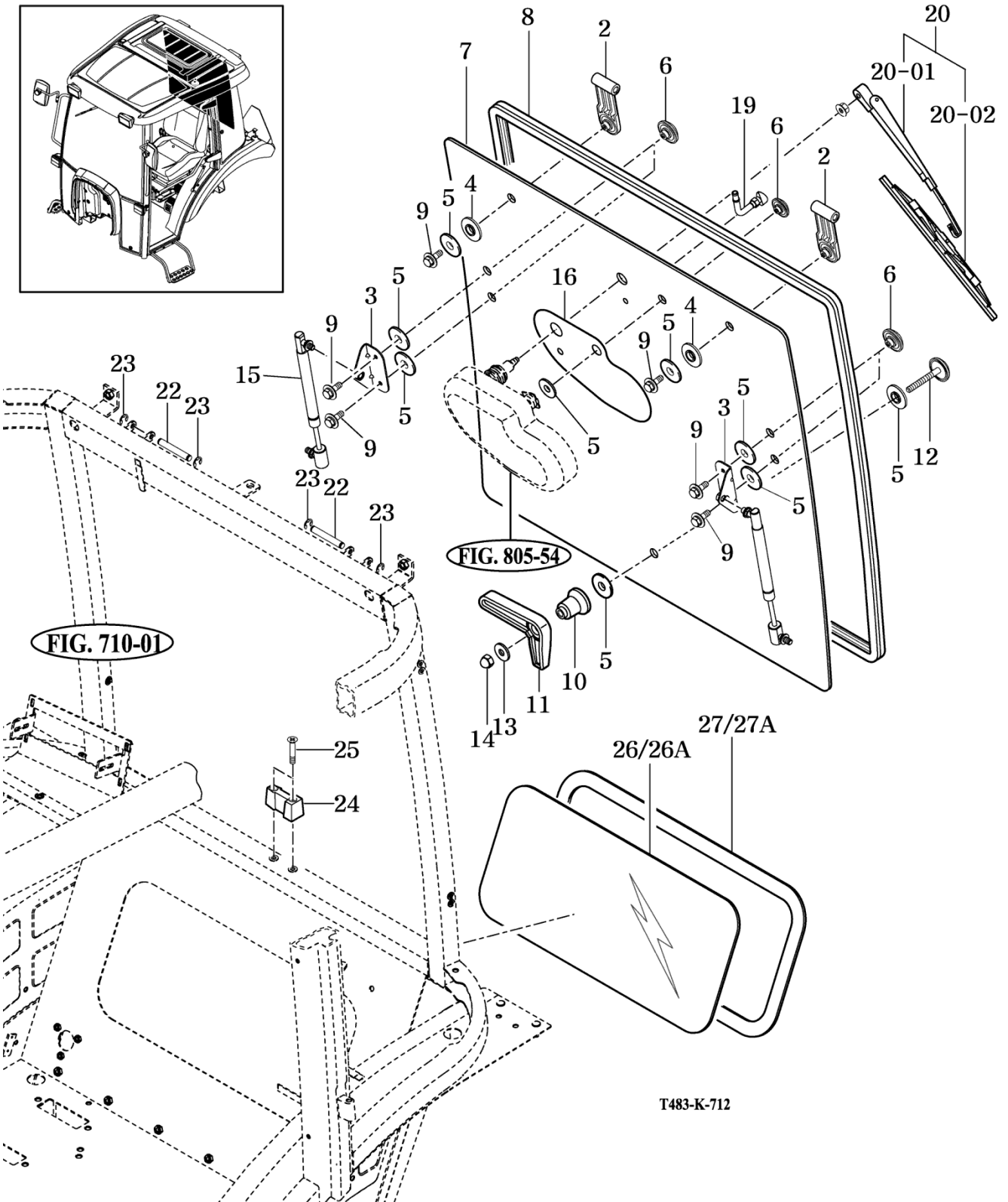
RK55H / RK55HC

REAR GLASS

P1

YEAR

2017



T483-K-712

NOTE

FIG 713A

SUB FENDER & COVER

RK55H / RK55HC

P1

YEAR

2017

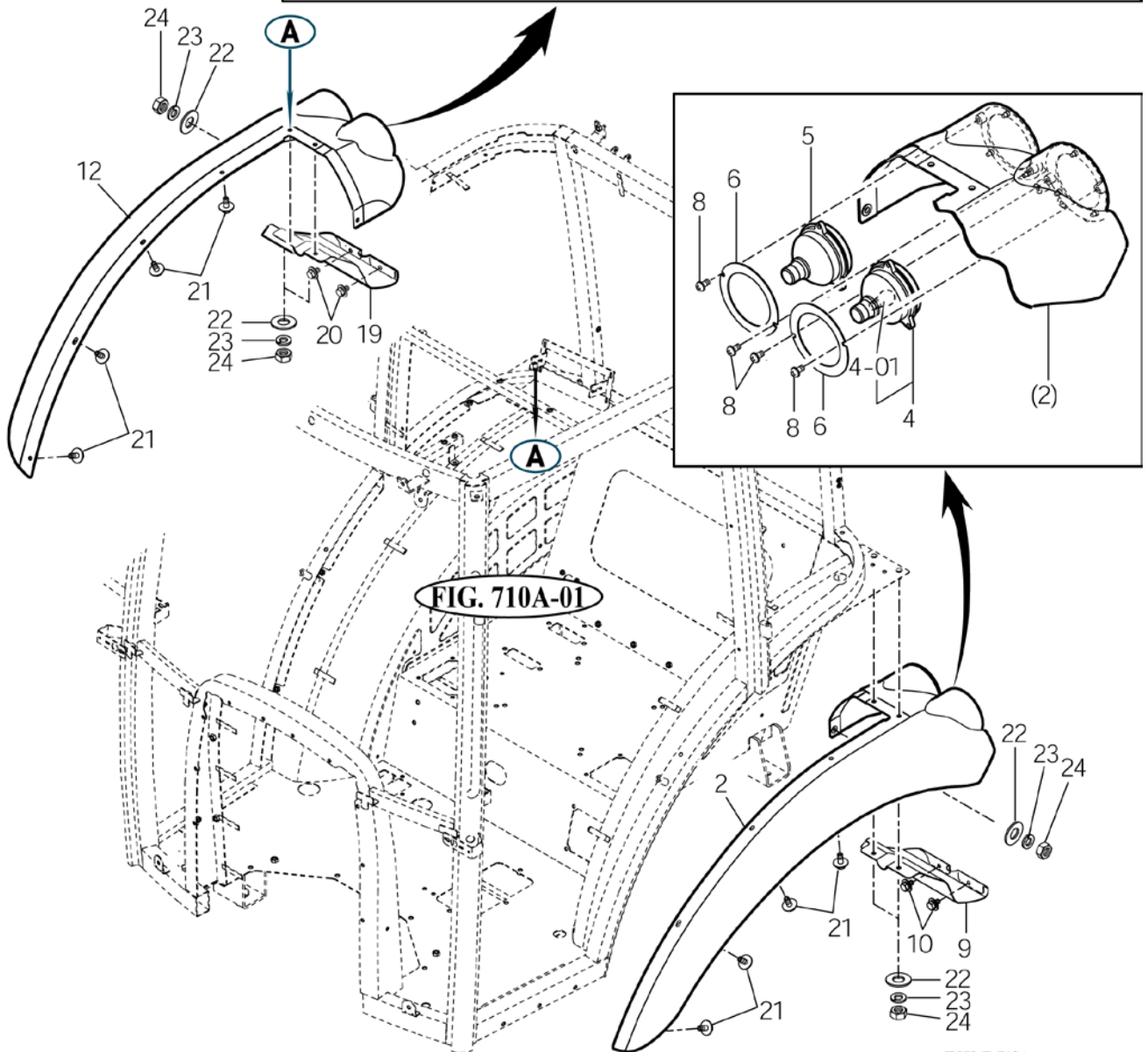
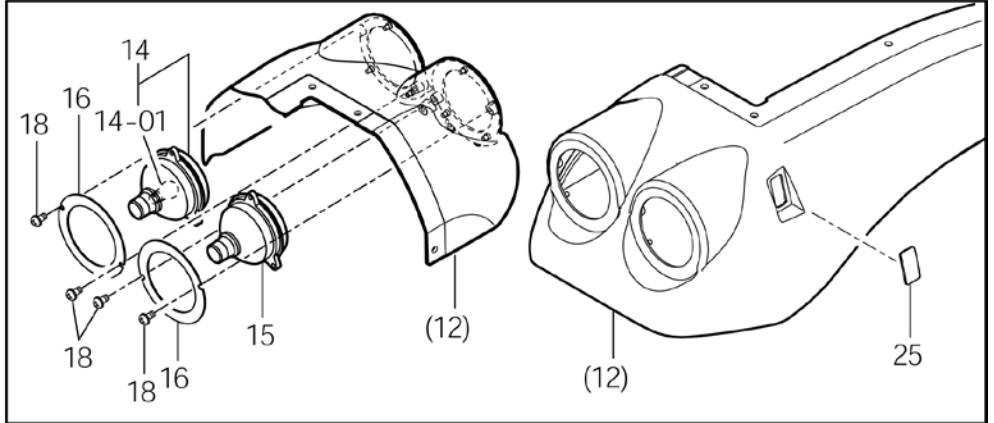
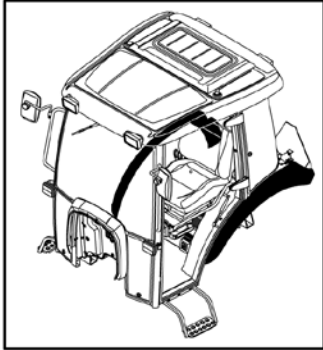


FIG. 710A-01

T553-E-713A

NOTE

FIG 713B

SUB FENDER&COVER-Non CAB

P1

YEAR

2017



RK55H / RK55HC

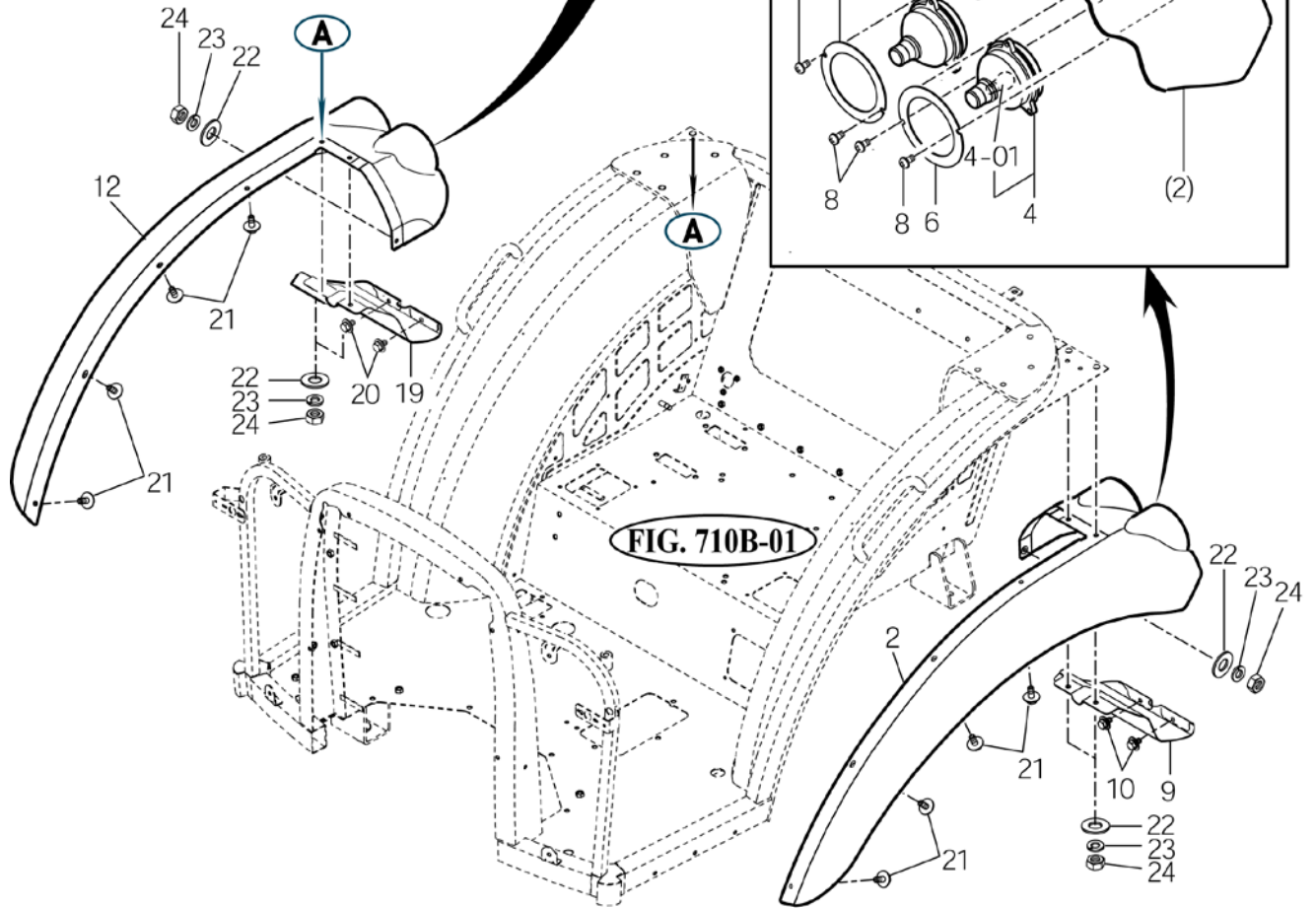
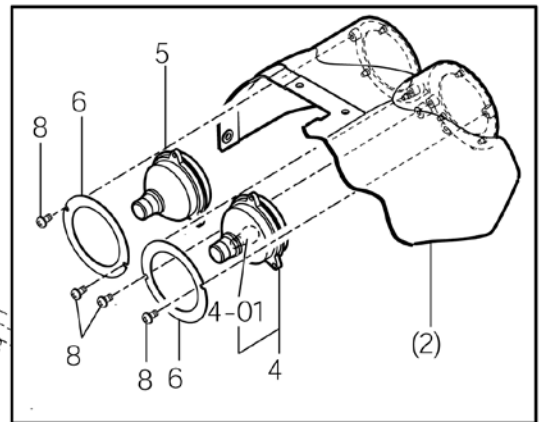
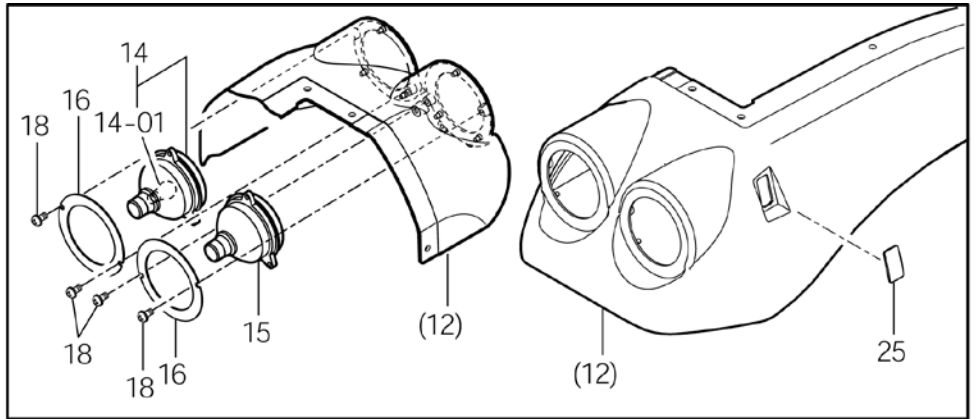


FIG. 710B-01

T553-E-713B

NOTE

FIG 714A

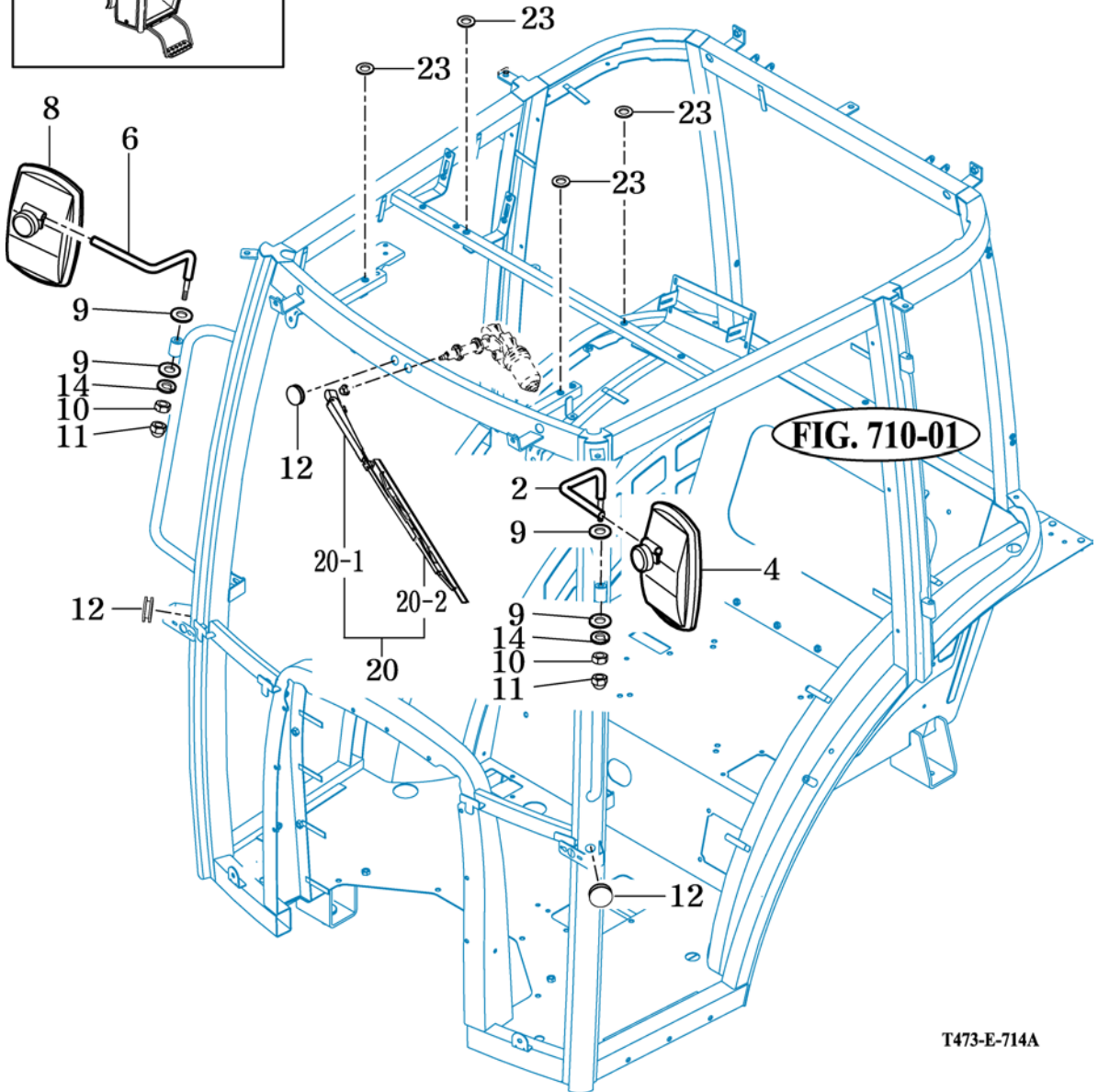
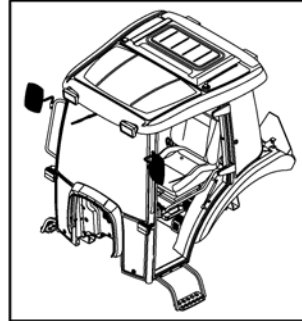
RK55H / RK55HC

MIRROR

P1

YEAR

2017



T473-E-714A

NOTE

FIG 714B

MIRROR&WORKING LAMP-Non CAB

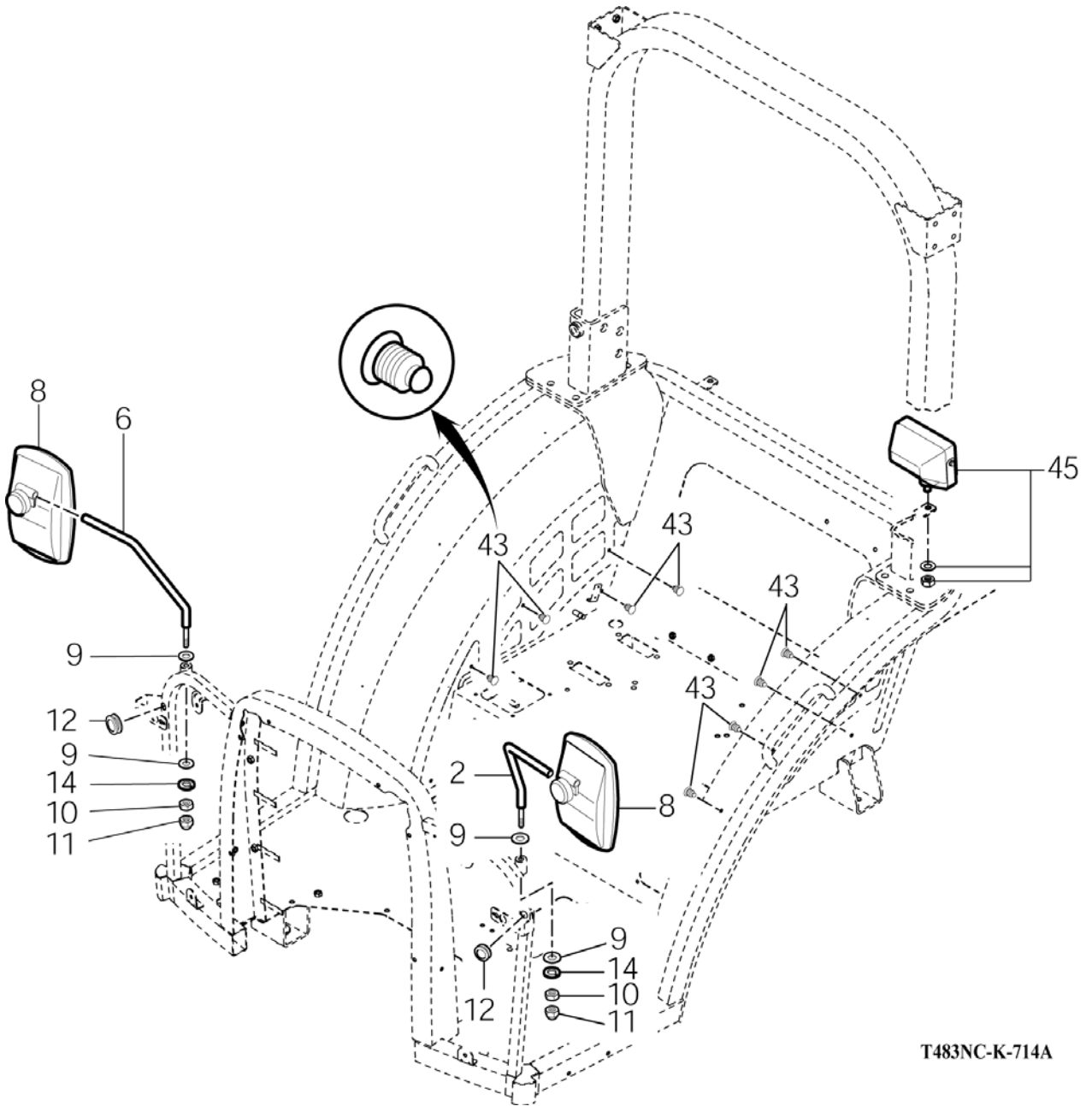
P1

YEAR

2017



RK55H / RK55HC



T483NC-K-714A

NOTE

FIG 715A

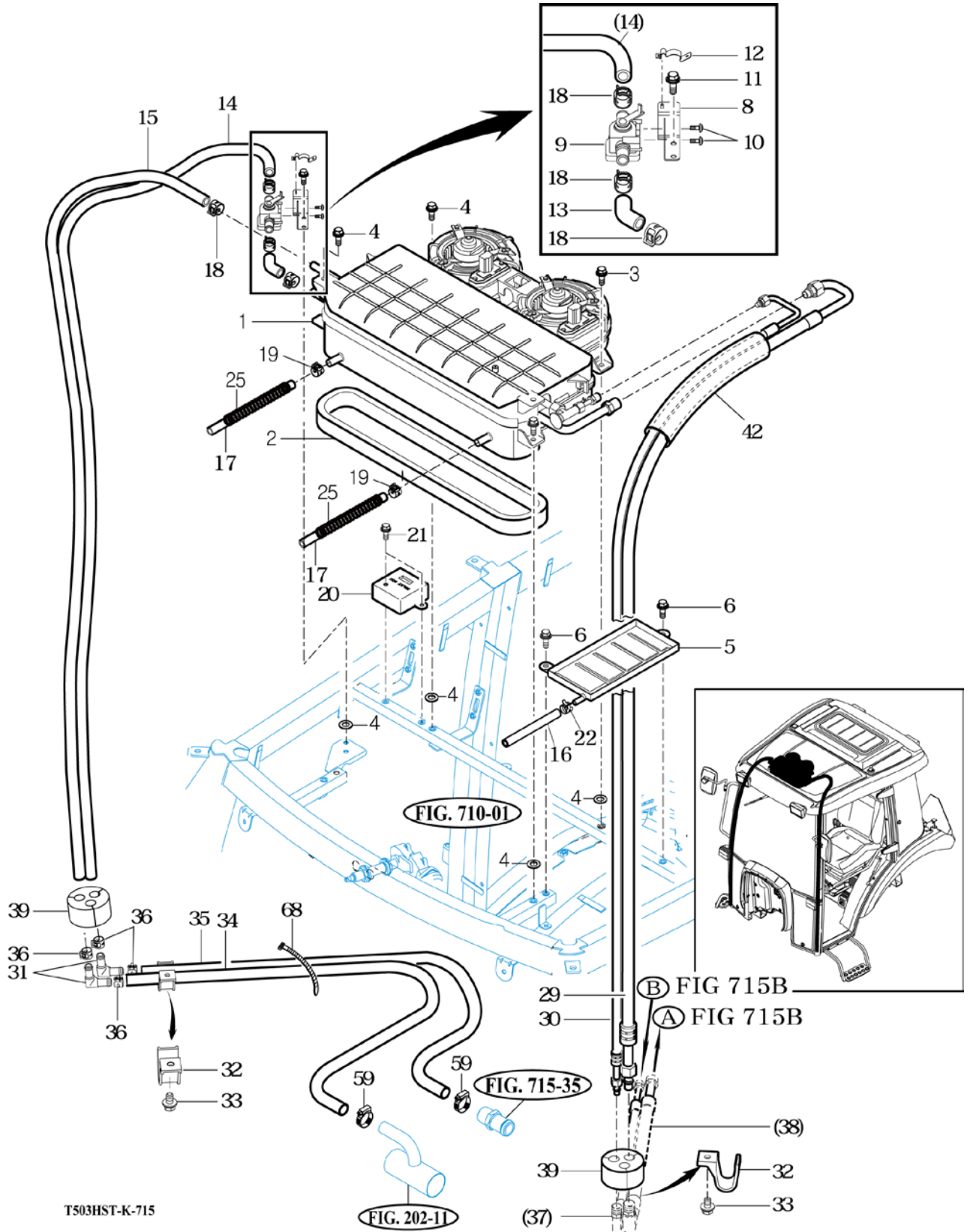
HEATER & AIR-CON

RK55H / RK55HC

P1

YEAR

2017



T503HST-K-715

NOTE

FIG 715B

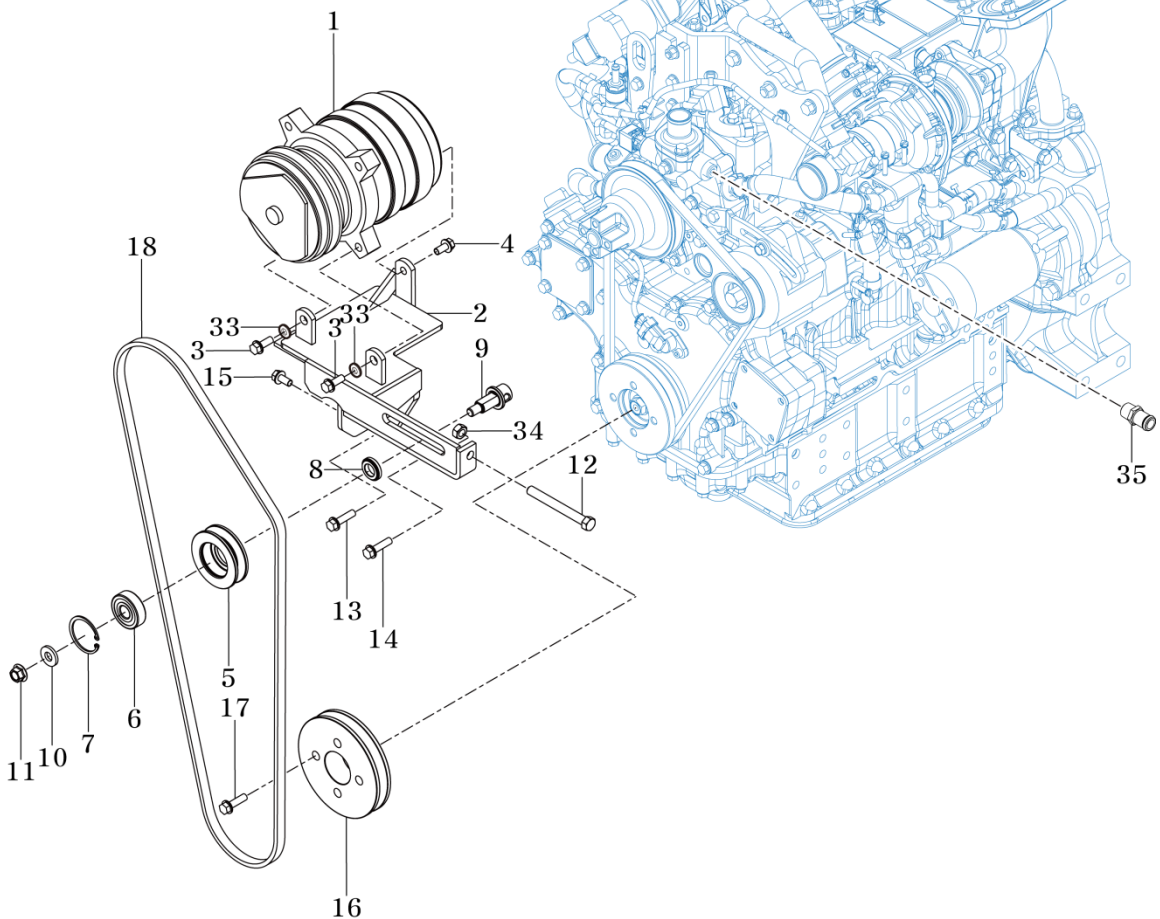
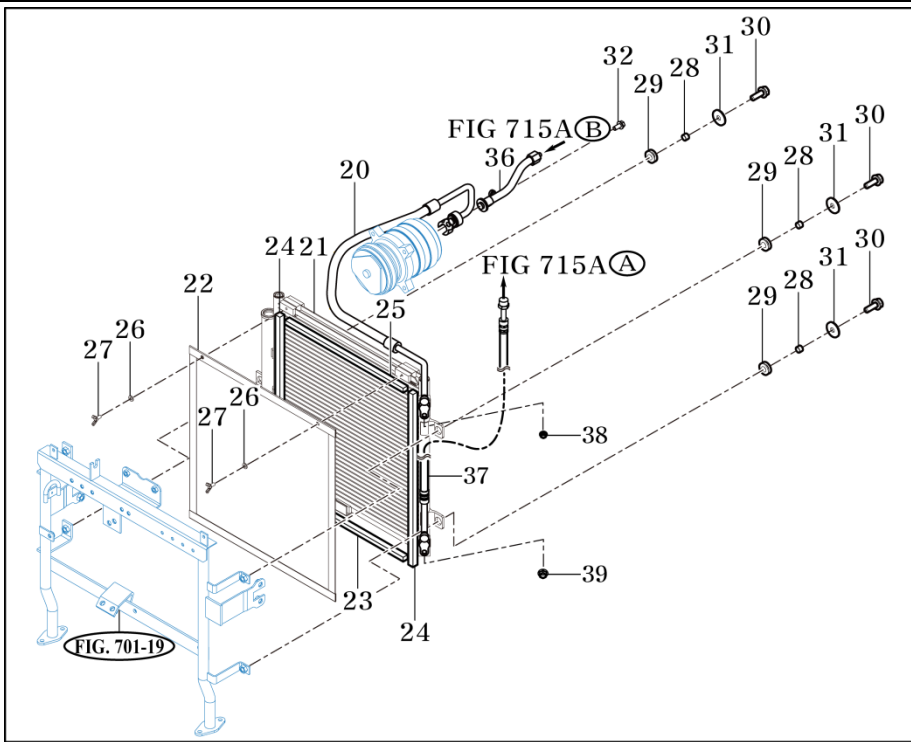
HEATER & AIR-CON

RK55H / RK55HC

P1

YEAR

2017



NOTE

FIG 716

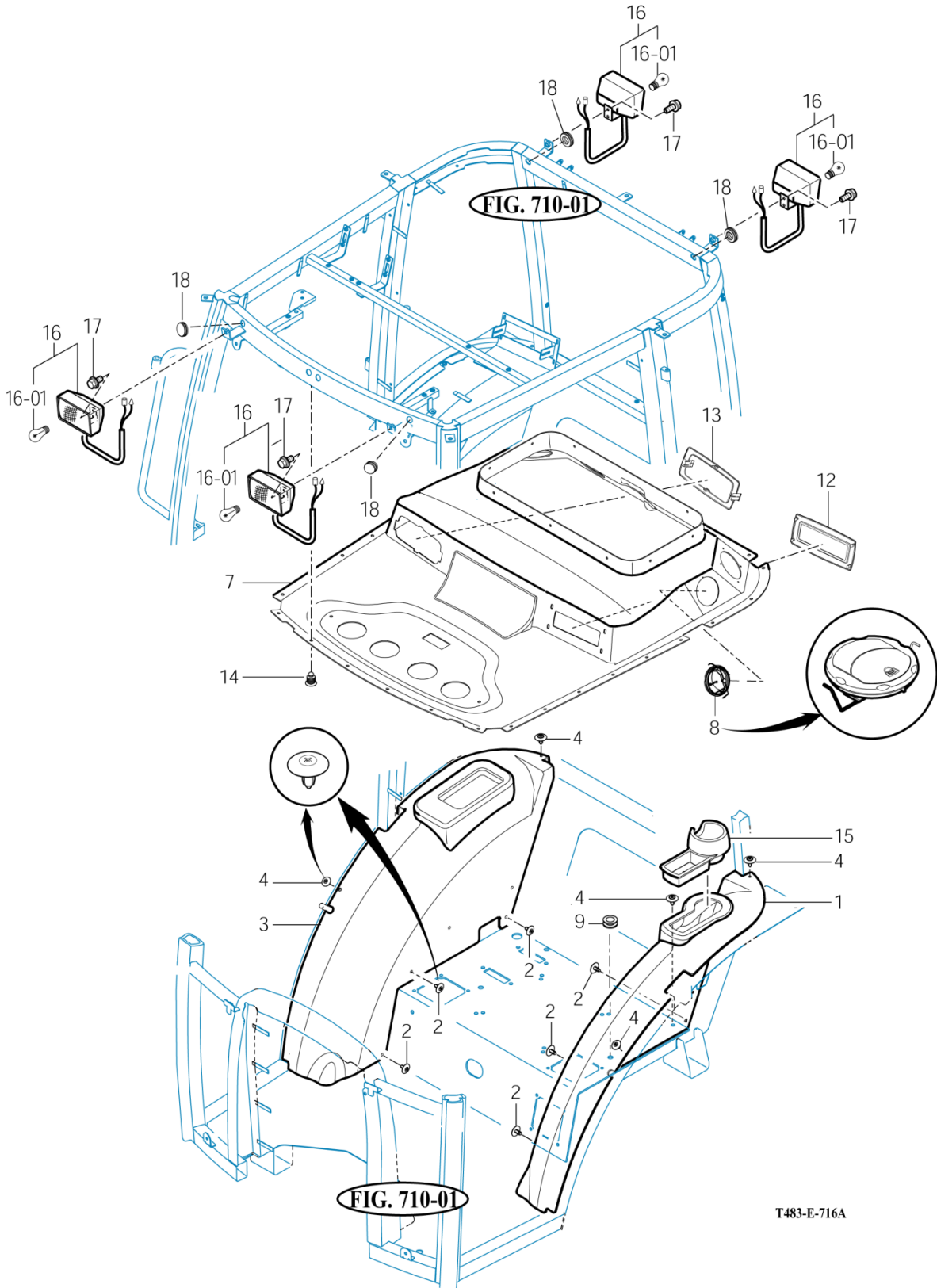
FENDER COVER

RK55H / RK55HC

P1

YEAR

2017



T483-E-716A

NOTE

FIG 717

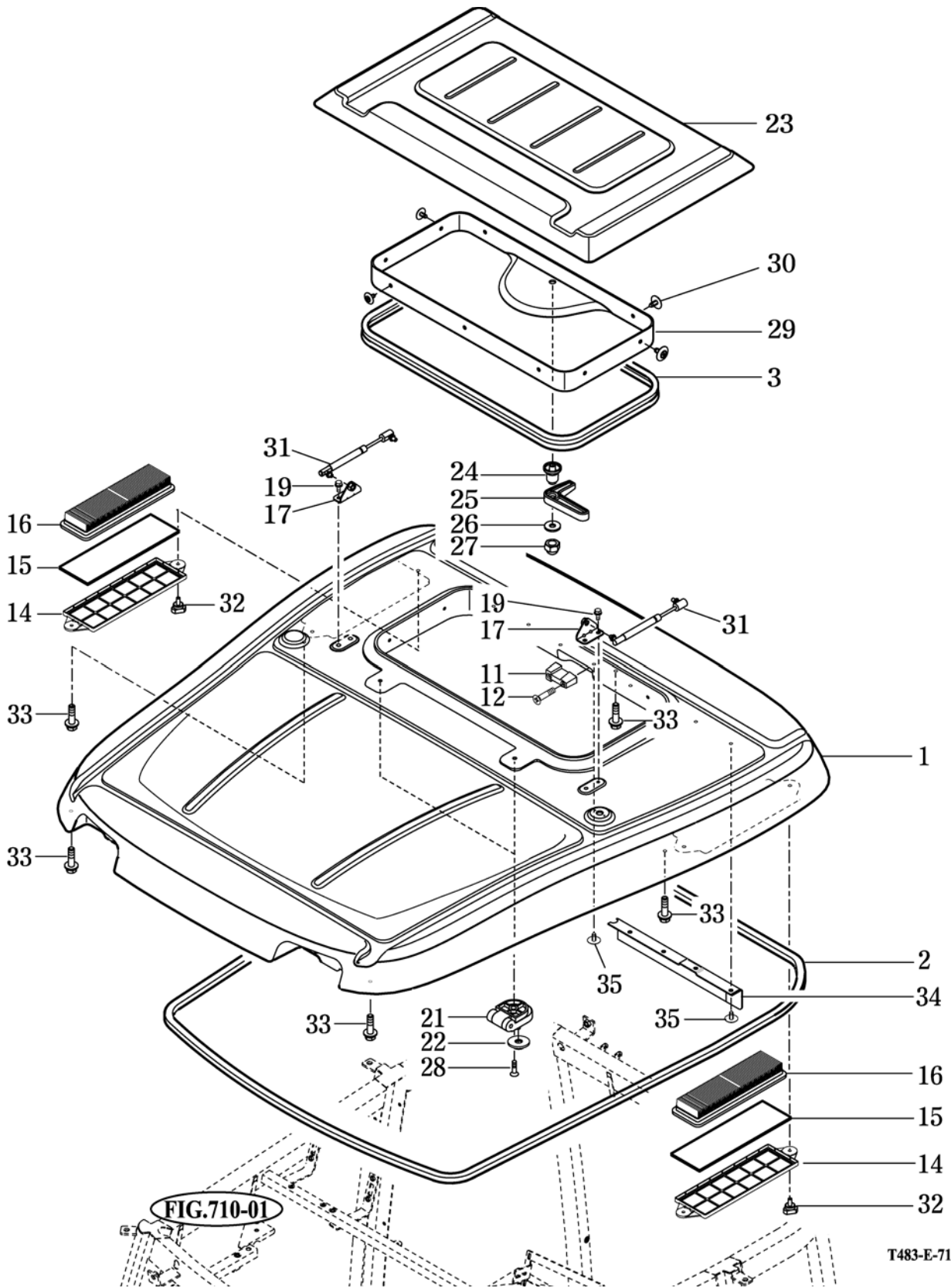
RK55H / RK55HC

ROOF

P1

YEAR

2017



NOTE

FIG 718

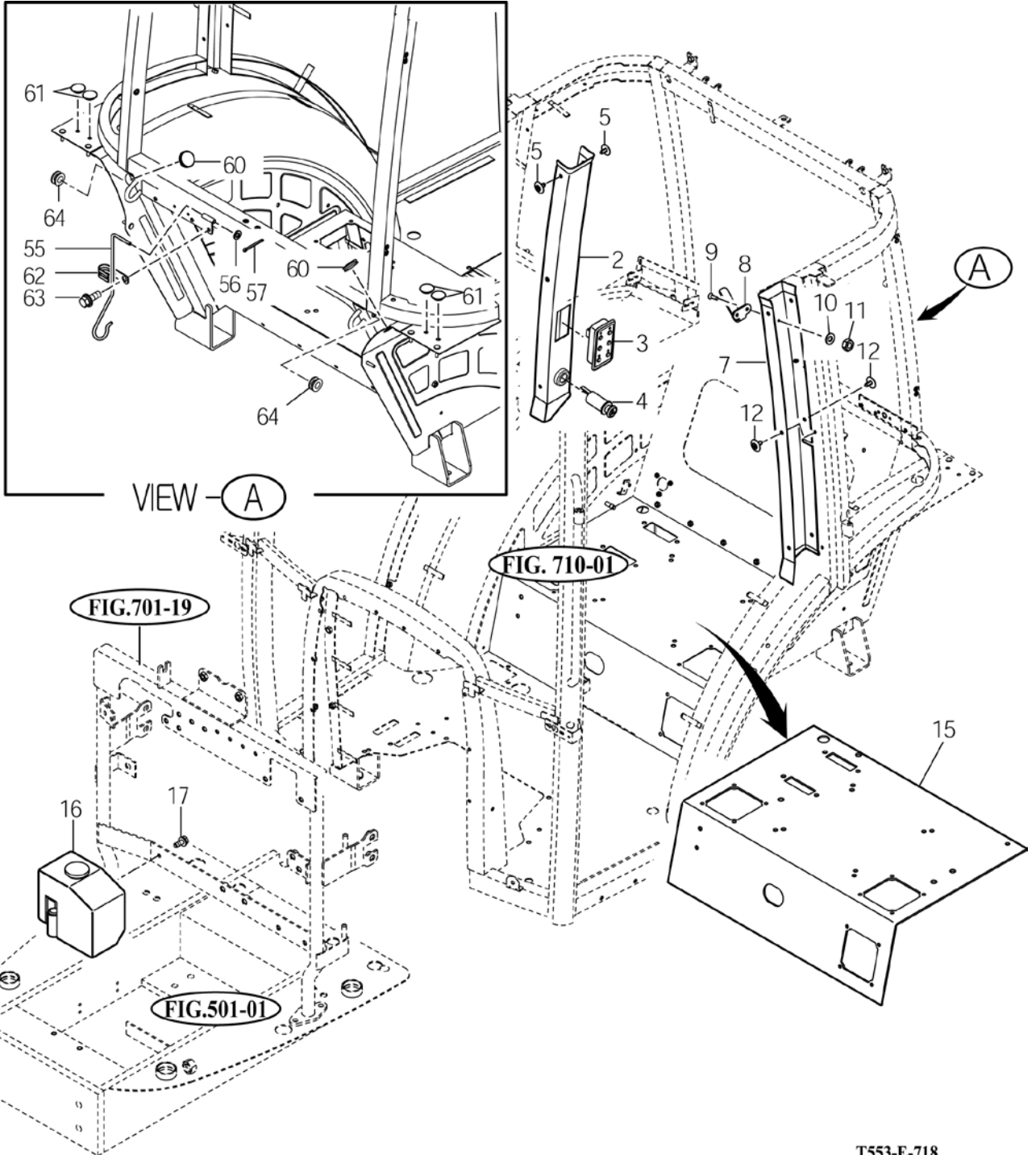
CABIN INTERIOR

RK55H / RK55HC

P1

YEAR

2017



T553-E-718

NOTE

FIG 719

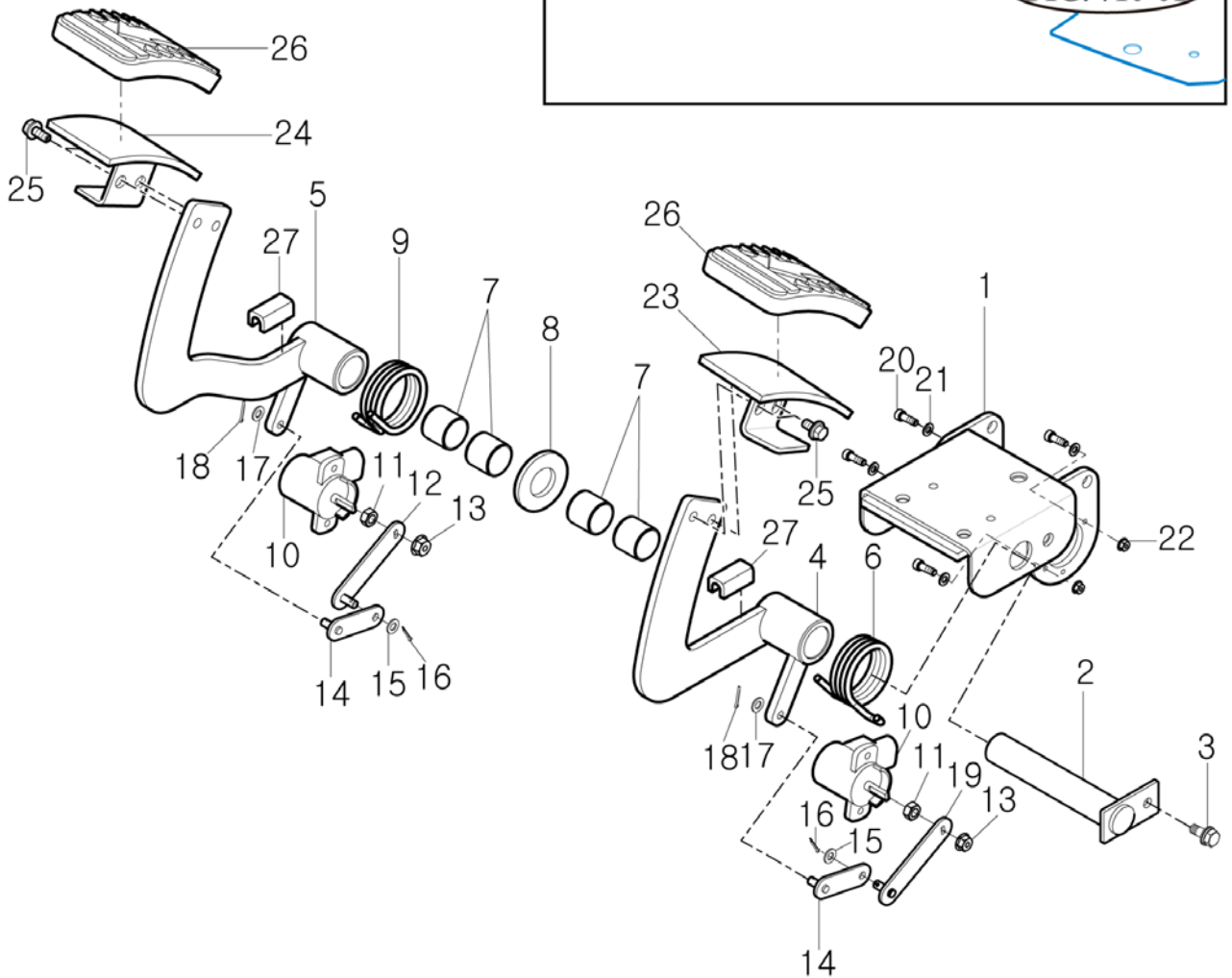
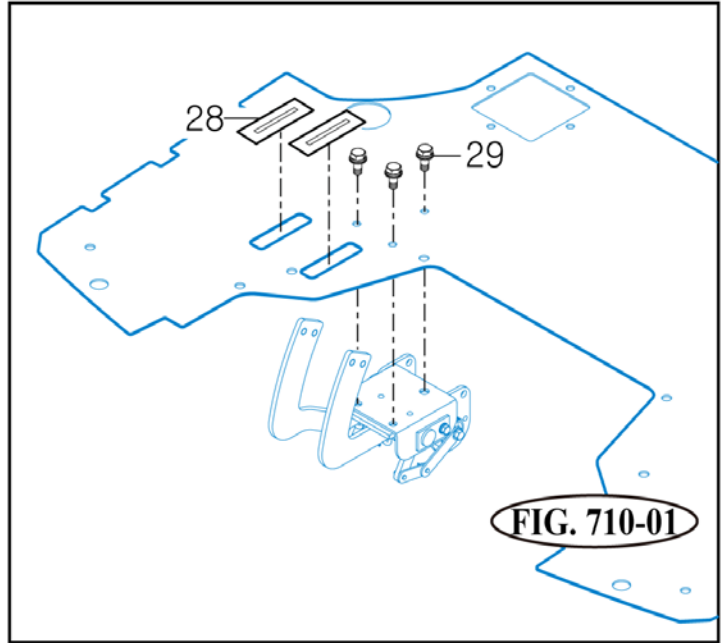
PEDAL SUB ASSY

RK55H / RK55HC

P1

YEAR

2017



NOTE

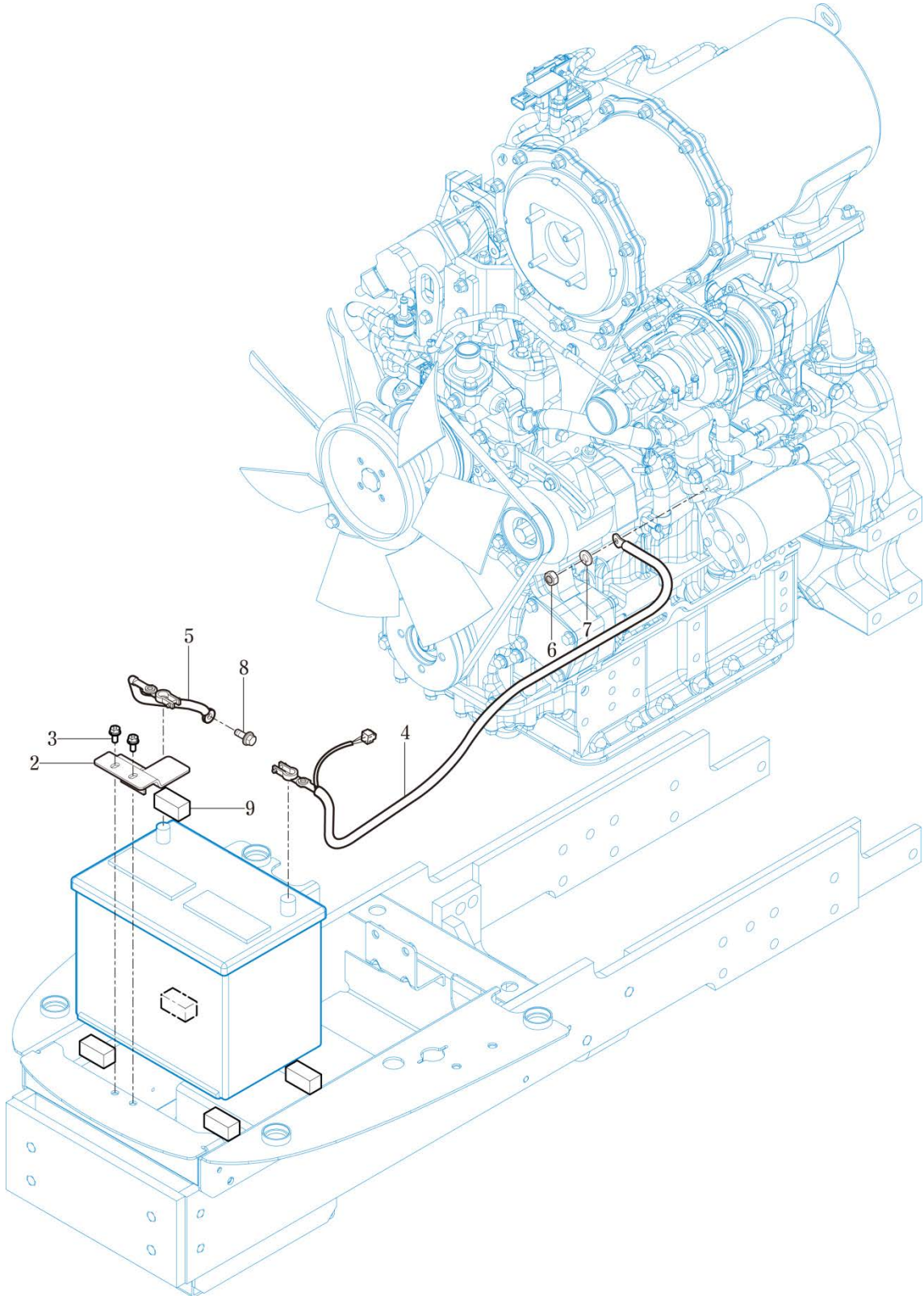
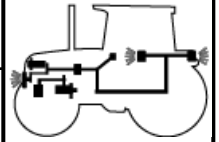
FIG 801

BATTERY & MOUNTING

P1

YEAR

2017



NOTE

FIG 802

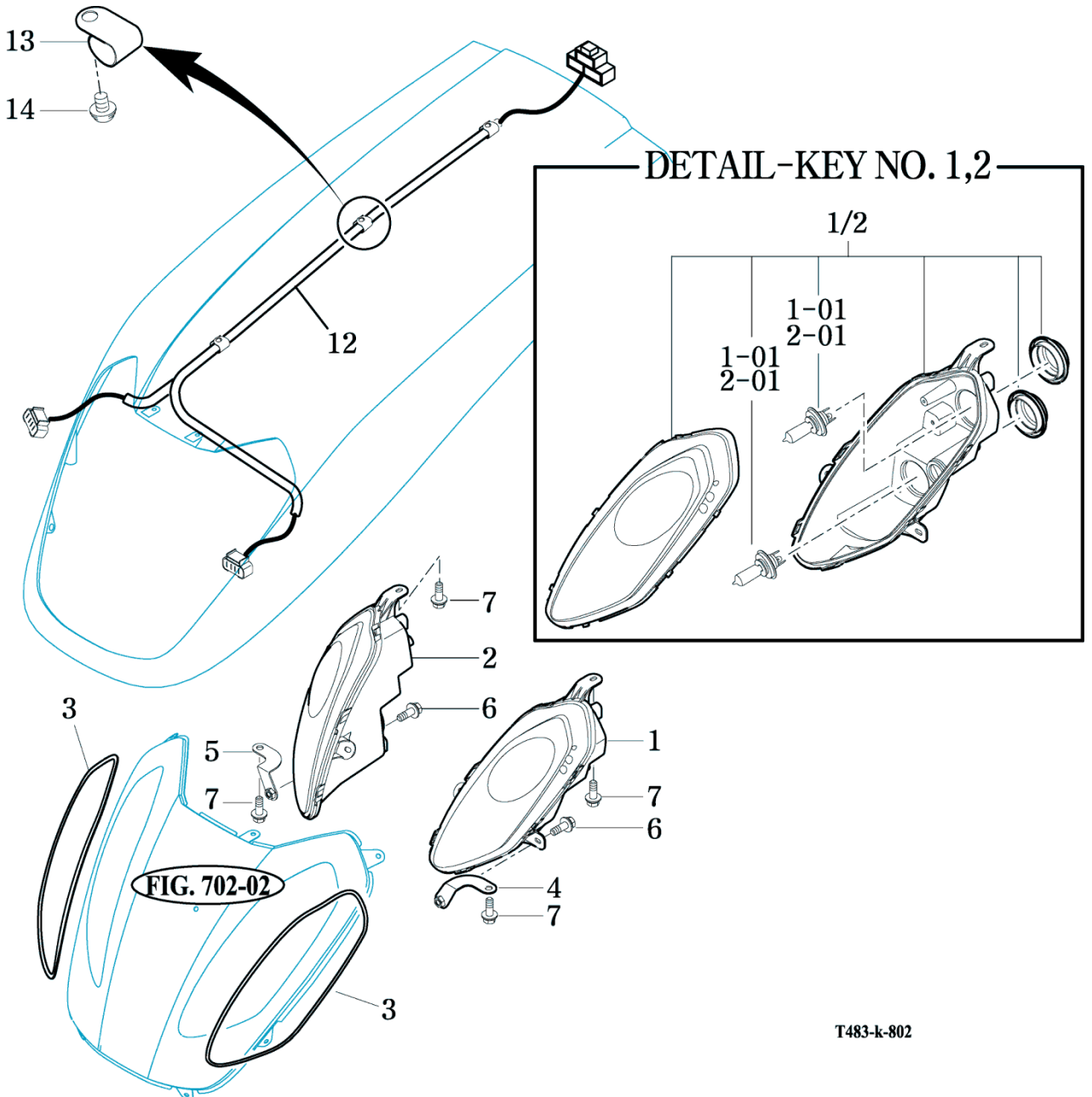
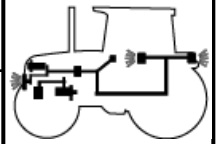
LIGHT & BACK LAMP

RK55H / RK55HC

P1

YEAR

2017



NOTE

FIG 803

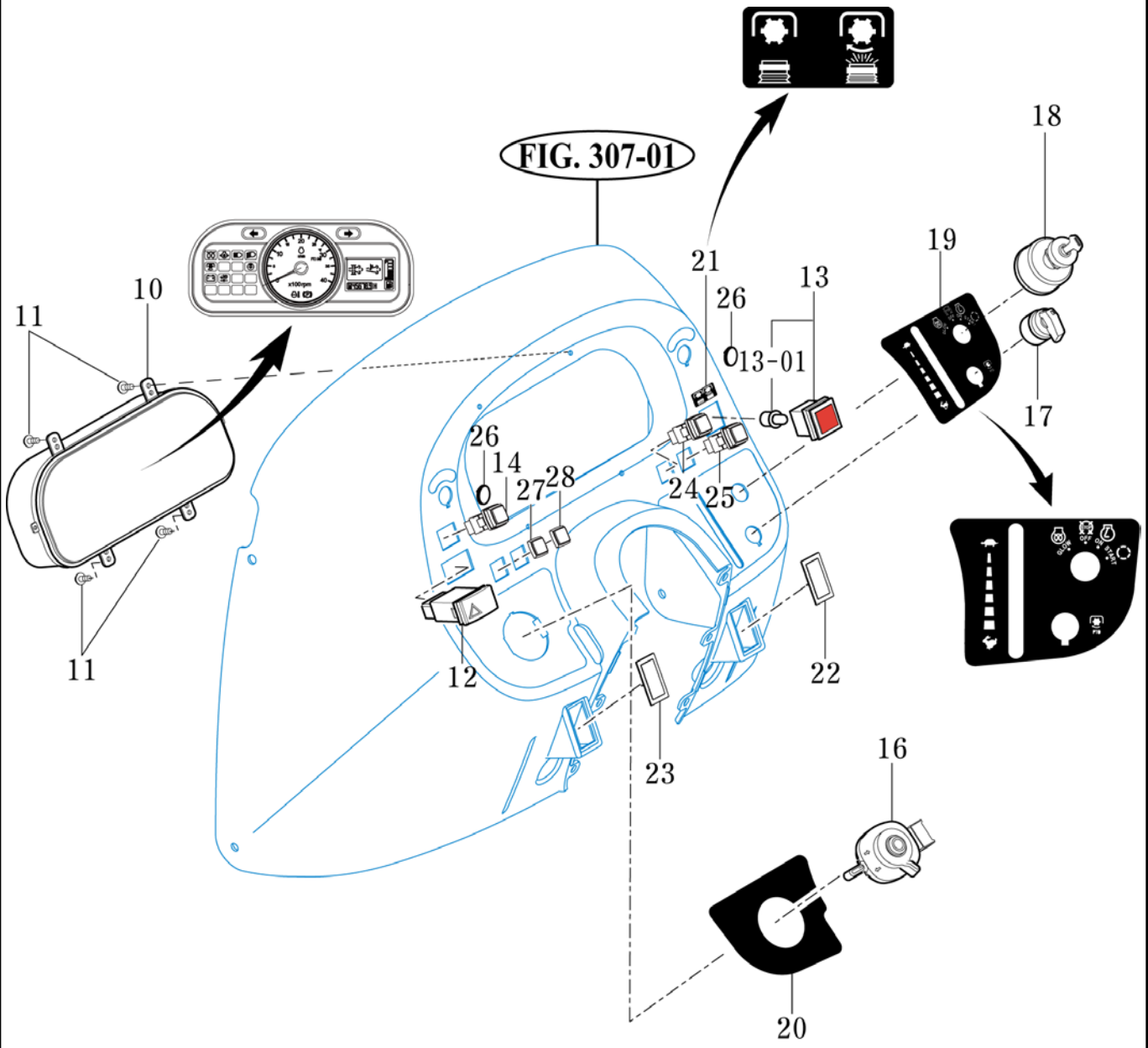
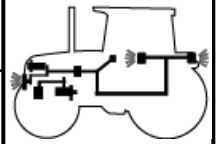
INSTRUMENT PANEL

RK55H / RK55HC

P1

YEAR

2017



NOTE

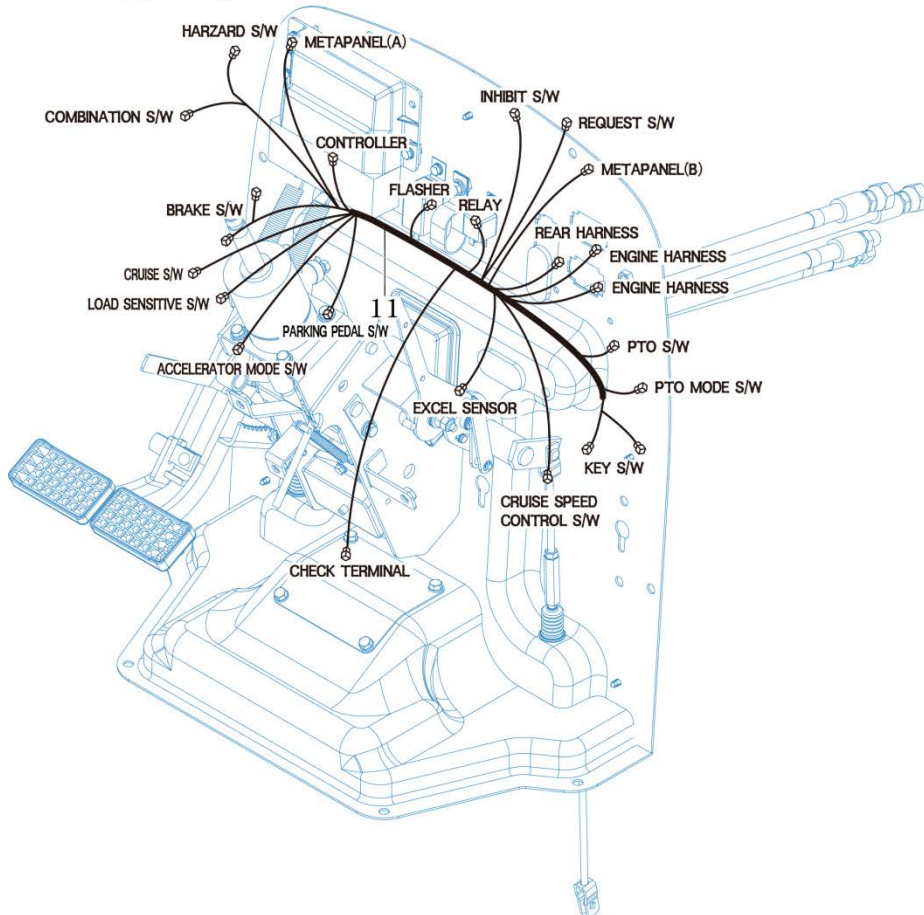
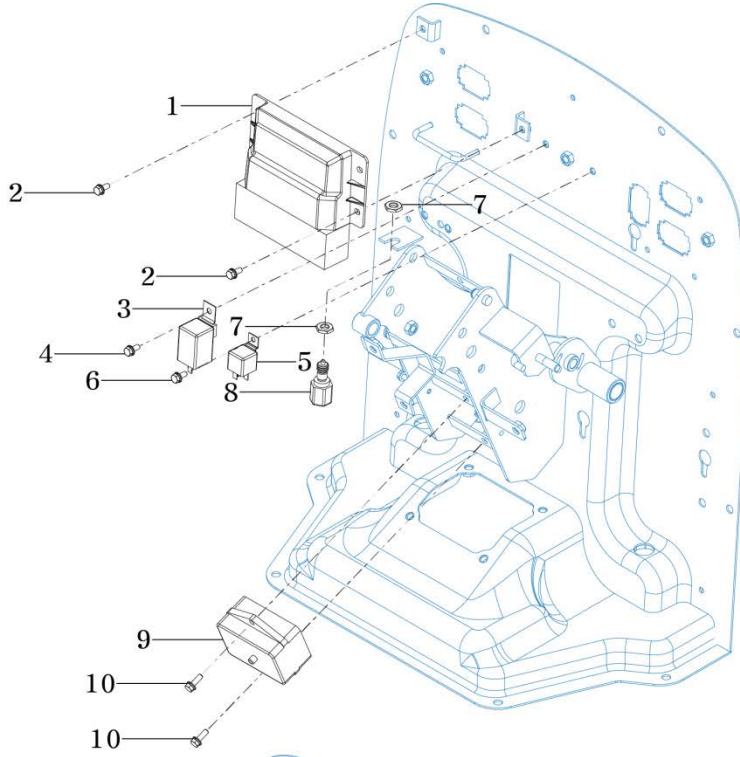
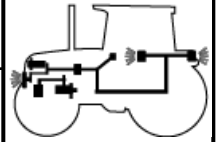
FIG 804

ELECTRIC SYSTEM (1)

P1

YEAR

2017



NOTE

FIG 805A

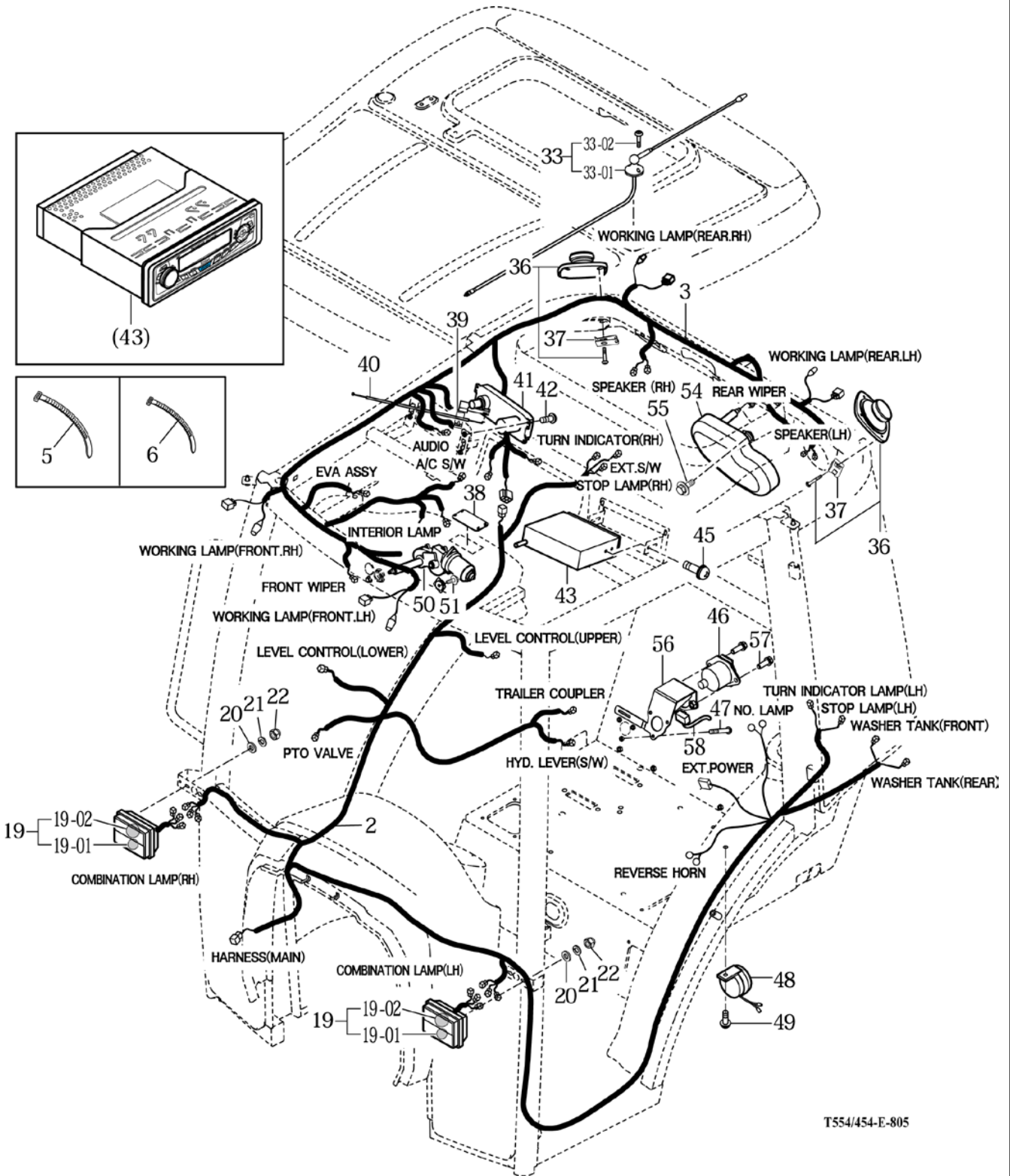
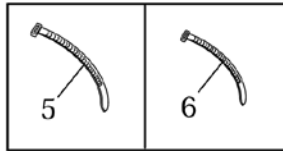
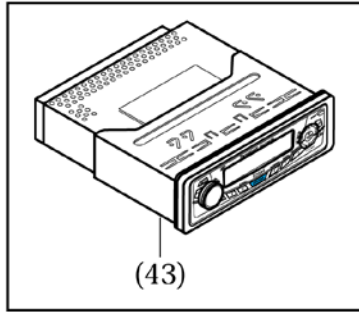
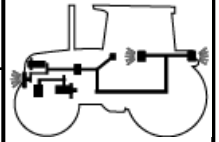
ELECTRIC SYSTEM (2)

RK55H / RK55HC

P1

YEAR

2017



T554/454-E-805

NOTE

FIG 805B

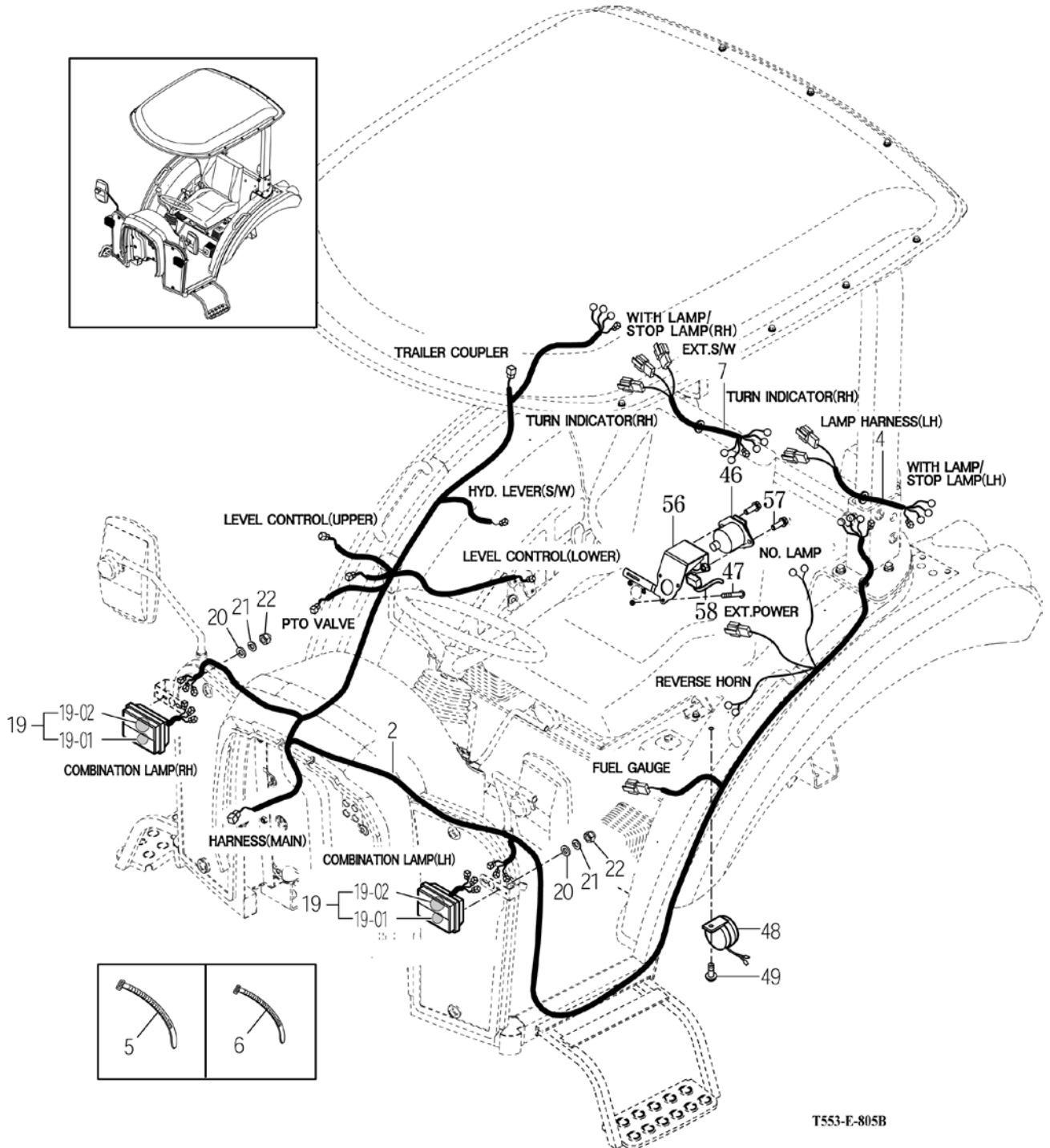
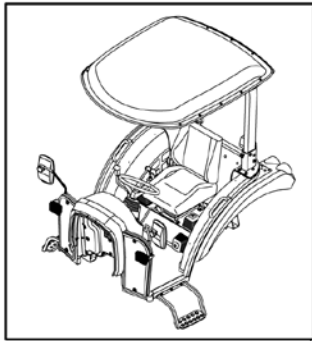
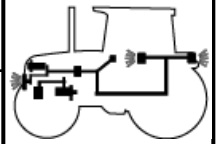
ELECTRIC SYSTEM (2)-Non CAB

RK55H / RK55HC

P1

YEAR

2017



T553-E-805B

NOTE

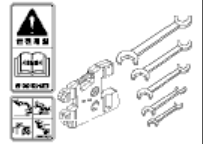
FIG 901

TOOL & ACCESSORY

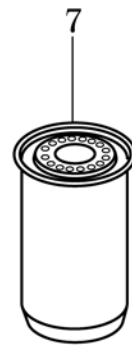
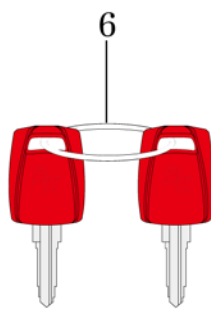
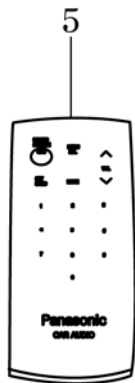
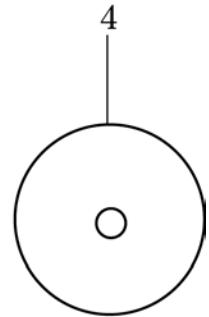
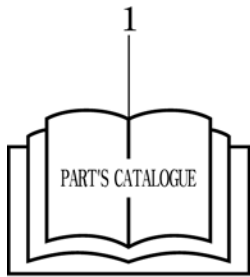
P1

YEAR

2017



RK55H / RK55HC



RK55-E-901

NOTE

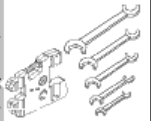
FIG 902

LABEL

P1

YEAR

2017



RK55H / RK55HC

WARNING

Do not remove radiator cap while engine is hot. Hot steam will injure you.

1200-910-015-0

24

CAUTION

Keep hands and clothing away from rotating fan and belts to prevent serious injury.

1200-910-012-0

23

Inner/Outer air Ventilation

- When grills of rear and both sides are opened, inner air will ventilate in.
- For effective use, open it when operate heater or air conditioner and close when ventilate fresh air.

1200-904-122-1

18

DANGER

Do not ride except operator.

1200-910-016-0

6

ON

4WD

OFF

OPERATION

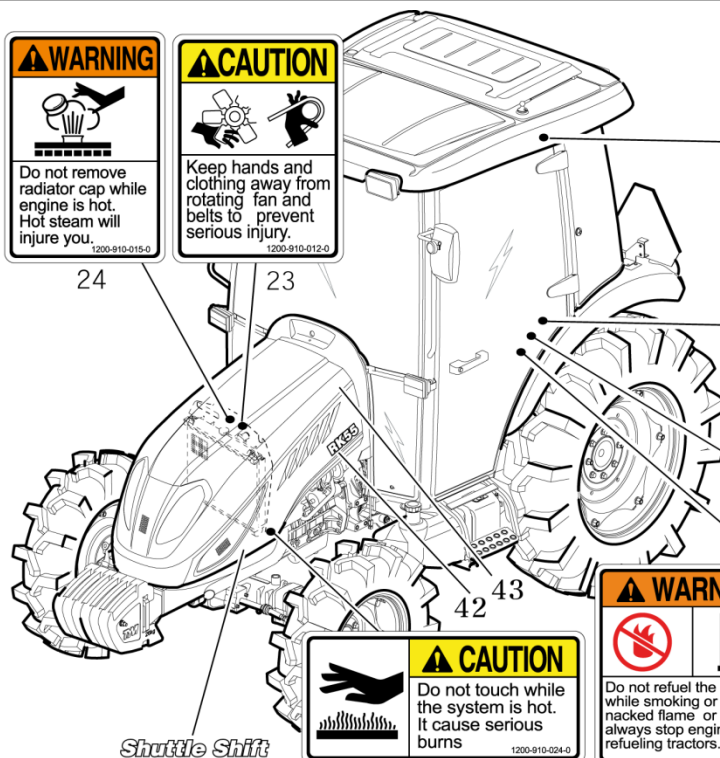
TO PROJECT YOUR ENGINE:

- To activate the regeneration function manually if the engine has warning lamp and regeneration lamp is illuminated.
- For the regeneration process, refer to the Operator's Manual

- Press this switch to stop automatic regeneration only.
- Do Not press this switch frequently to prevent from engine derate running.

For further details, consult your Operator's Manual or your local dealer.

48



Shuttle Shift
45
Hydrostatic
46

CAUTION

Do not touch while the system is hot. It cause serious burns

1200-910-024-0

33

WARNING

Do not refuel the tractor while smoking or near naked flame or sparks. always stop engine before refueling tractors.

1200-910-026-0

17

WARNING

Do not use the sub shift lever at "H" position when driving backward.

1200-910-001-0

4

DANGER

This Tractor may tip over unexpectedly and quicker than an operator is able to jump free

- Never operate a tractor without a proper Roll over Protection Structure.(ROPS)
- Always wear your seat belt when operating this tractor equipped with roll over protection.
- Never pull from above or from the rear axle.
- Do not operate the tractor on steep slopes or near drop offs
- Avoid sharp high speed turns

Serious injury or death may result from tractor upsets.

1200-904-501-0

38

This ROPS frame was tested in accordance with OECD Standard (Code 4) (Equivalent to AS 1636.1) for use on Rural King tractor model RK55 with a maximum (GVM) of 1953KG. Manufactured by HAN-SUNG KOREA

100-00-000

41

This cab structure was tested in accordance with OECD Standard Code 4 (Equivalent to AS 1636.1) for use on Rural King tractor model RK55 with a maximum (GVM) of 2143KG. Manufactured by DONG-SUNG, KOREA

100-00-000

41

Rural King

MODEL: _____

TYPE: _____

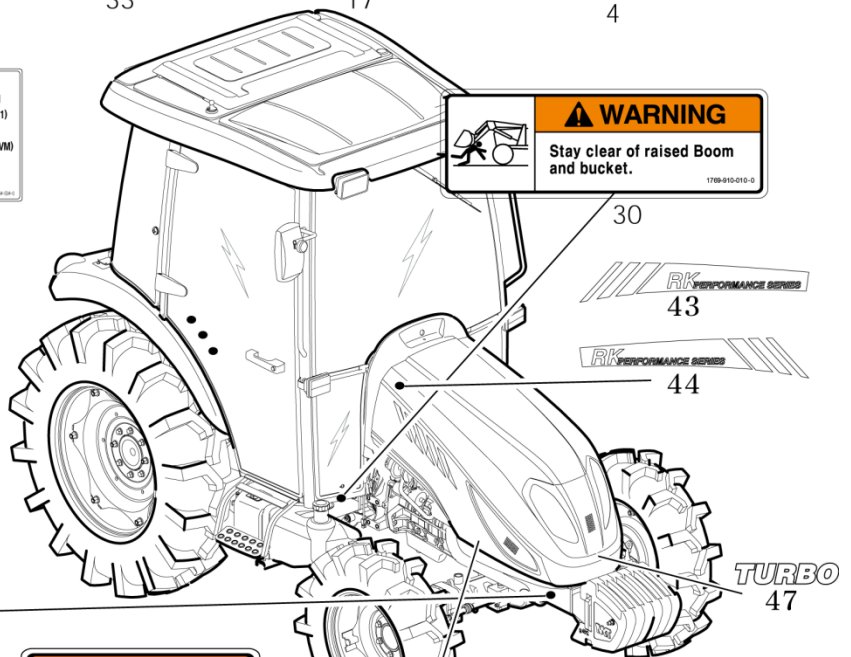
ENGINE: _____

SERIAL NO. _____

MANUFACTURER: TONG YANG MOOLSAN CO.,LTD

THIS PRODUCT IS MADE IN KOREA

32



WARNING

Stay clear of raised Boom and bucket.

1700-910-010-0

30



43



44

TURBO
47

WARNING

Additions, alterations, cracking, damage or corrosion to this structure may adversely affect the performance of the ROPS.

39

Shuttle Shift
45
Hydrostatic
46

WARNING

Death or injury may result if this tractor over turns with the ROPS in the folded down position. Operate this tractor with the ROPS folded down only when necessary. Do not wear seat belt if operated with ROPS folded down

1200-904-502-0

40

NOTE

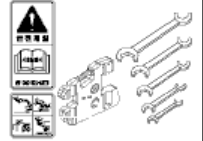
FIG 902

LABEL

P2

YEAR

2017



RK55H / RK55HC



7



3



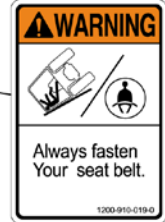
29



14



21



8



13



12



10



19



20



35



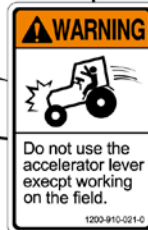
11



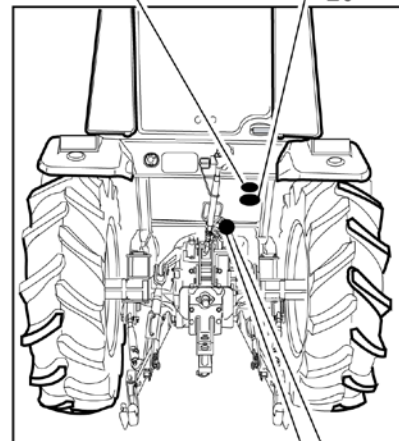
15



16



9



49 50

NOTE

